

1

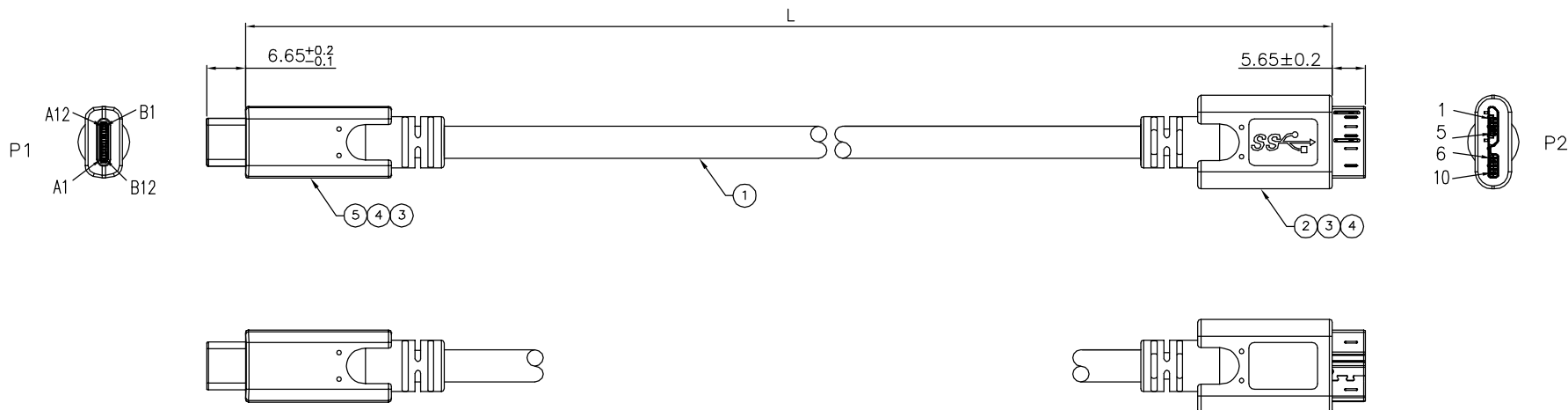
2

3

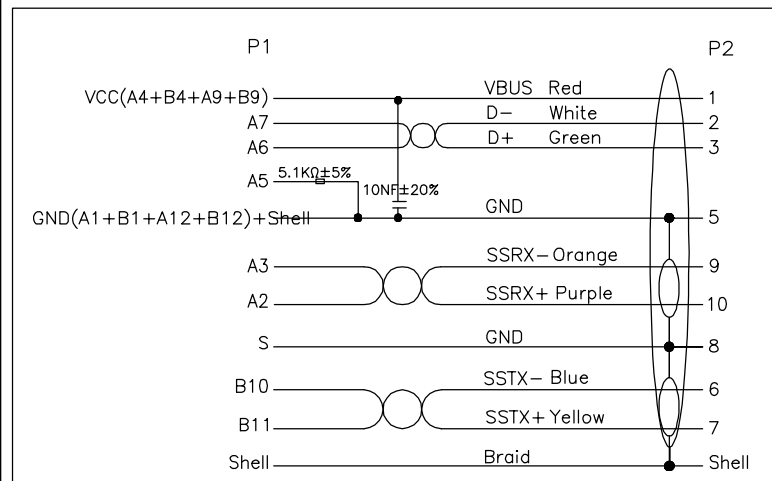
4

5

RoHS Compliant



PIN OUT:



Notes:

1. Electrical Requirements:
 - 1.1 100% continuity test any Open, Short, Intermittence, Misswiringing
 - 1.2 Conductive Resistance: 3 Ohm Max.
 - 1.3 Insulation Resistance: 5M Ohm Min.
 - 1.4 Dielectric Strength: 300V DC

| P/N | L |
|-------------------|---------|
| 105-1092-BL-00050 | 500±30 |
| 105-1092-BL-00100 | 1000±40 |
| 105-1092-BL-00200 | 2000±50 |
| 105-1092-BL-00300 | 3000±60 |
| 105-1092-BL-00500 | 5000±80 |

| ITEM | DESCRIPTION | SPECIFICATION | Q'TY |
|------|-------------------|---|------|
| 1 | Cable | [28AWG(7/0.12TS)+PEF ID:0.90]*2C+(D7/0.12TS+AL+M)*2P+[28AWG(7/0.12TS)+HDPE ID:0.7]*1P+[24AWG(7/0.2TS)+PVC ID:1.05*2C]+(PP 3800X2)+AL+D7/0.12BS+96/0.12ALMAG PVC OD:5.5mm Black | A/R |
| 2 | Micro USB 3.0 B/M | Micro USB 3.0 B/M Contact 1u", Shell Nickel Plated | 1Set |
| 3 | Inner molding | UV Glue+PE | A/R |
| 4 | Outer molding | 45P PVC Color:Black | A/R |
| 5 | Type C/M | Type C 3.0 M Insulator Black, Contact 1u", Shell Nickel Plated C1=10nf Rd=5.1KΩ+Shielding | 1Set |

DRAWN:

GENERAL TOLERANCE:

.X=±0.50
.XX=±0.30

CnC Tech

Industrial Cable and Connector Technology

CHECKED:

UNIT: MM

DESCRIPTION: USB 3.0 TYPE C/M TO MICRO USB
3.0 B/M CABLE

SIZE

APPROVAL:

SCALE: 1:1

PART NO:

105-1092-BL-00XXX

A4

| REV | DATE | FILE | BY |
|-----|-------------|------|----|
| A | 08-Jun-2021 | | |

PROJECTION: