

NOTES:

1.0 MATERIALS:

- 1.1 HOUSING & NUT: STAINLESS STEEL PER ASTM-A582, TYPE 303.
- 1.2 CENTER CONTACT: BERYLLIUM COPPER ROD ALLOY C172, PER ASTM-B196.
- 1.3 DIELECTRIC: PTFE FLUOROCARBON PER ASTM-D1457.

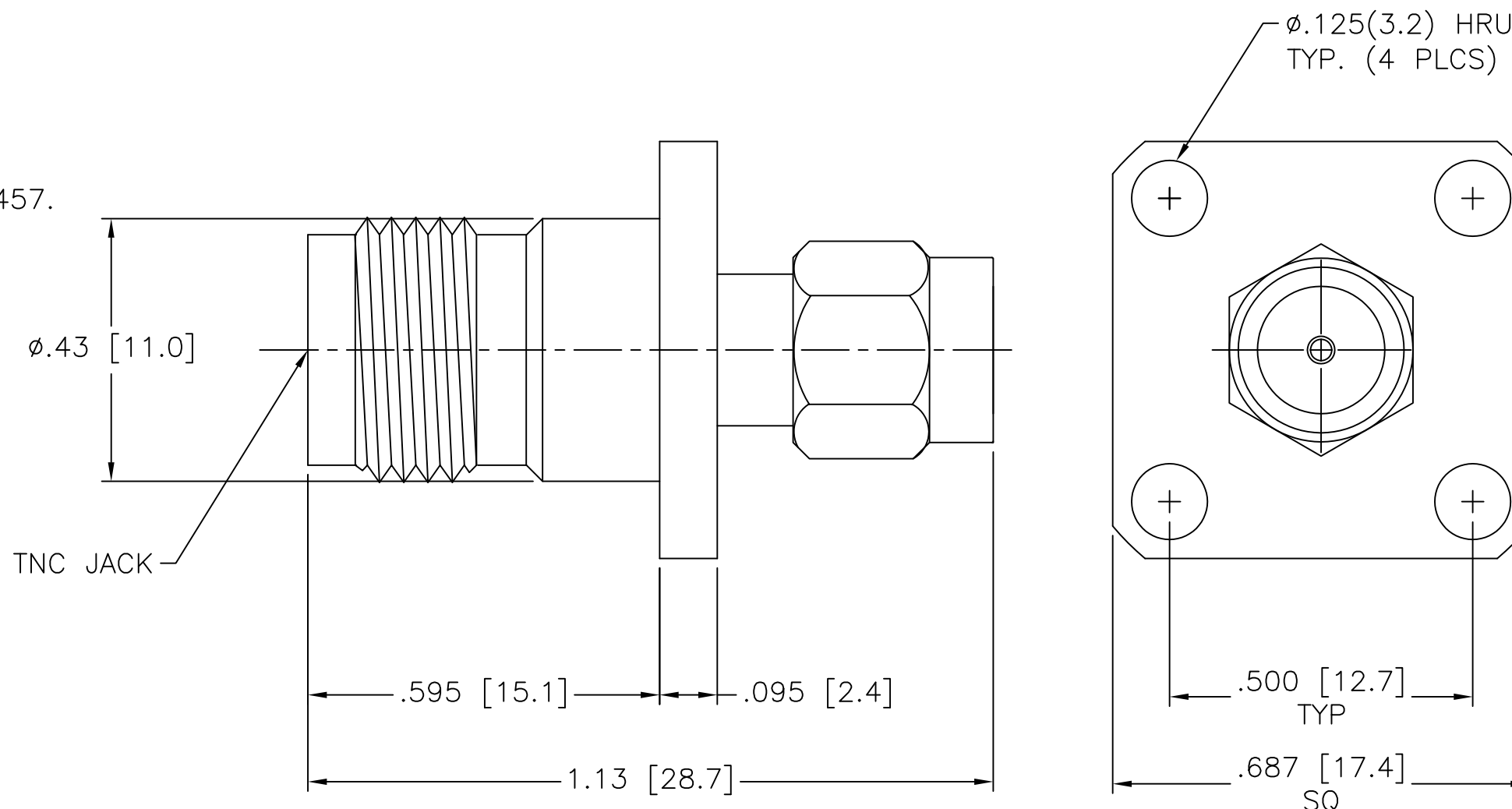
2.0 PLATING:

- 2.1 HOUSING & NUT: PASSIVATED PER MIL-F-14072 AND QQ-P-35.
- 2.2 CENTER CONTACT: GOLD PER MIL-G-45204, TYPE II, CLASS 2.

3.0 ELECTRICAL SPECIFICATIONS:

- 3.1 FREQUENCY RANGE: DC-18.0 GHz
- 3.2 VSWR MAX.: 1.07 + .015 f(GHz)
- 3.3 IMPEDANCE: 50 OHMS

4.0 DIMENSIONS IN BRACKETS ARE IN MILLIMETERS.



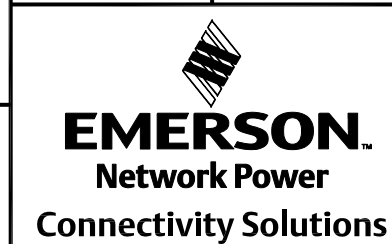
REV.	DESCRIPTION	DATE
-	RELEASED	8/30/95
A	ECN 17738	12/8/00

NOTICE: The information contained in this drawing is proprietary and must not be used without the permission of Emerson Network Power.

UNLESS OTHERWISE NOTED DIMENSIONS ARE IN INCHES AND TOLERANCES ARE:
 3 PLACE DECIMALS ±.005
 2 PLACE DECIMALS ±.02
 FRACTIONS ±1/64
 PARALLELITY: T.I.R. _____
 FLATNESS: T.I.R. _____
 CONCENTRICITY: T.I.R. _____
 ANGLES AND PERPENDICULARITY: ±1°

CAGE CODE
34078

MIDWEST MICROWAVE



TITLE
ADAPTER - TNC JACK TO SMA PLUG
OUTLINE DRAWING

DRAWN/DATE
A.BEATTY
8/23/95

ENG./DATE
C.BONK
8/30/95

DRAWING NUMBER
ADT-2689-TF-SMM-02-01

CHECKED/DATE
P.C.G
8/29/95

APPROVED/DATE

REV. A

SCALE: 4=1 SHEET 1 of 1