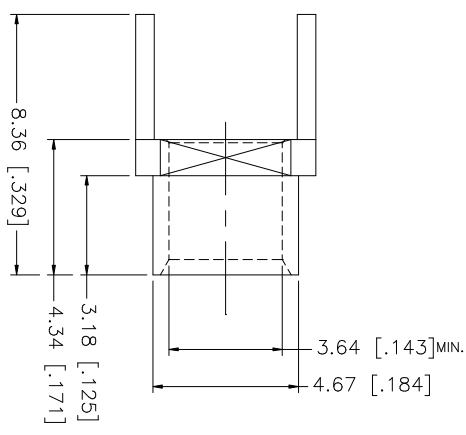
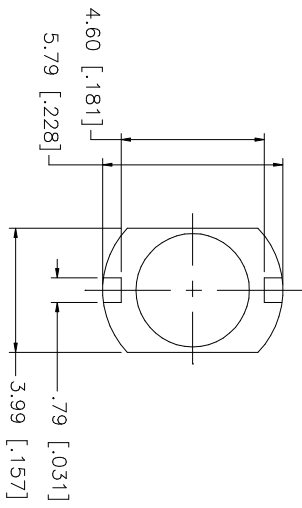
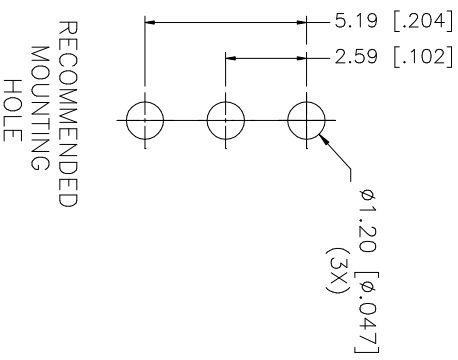
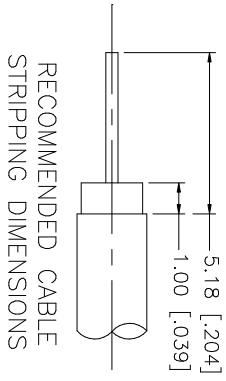


REV.	DATE	DESCRIPTION
NC	12/22/03	INITIAL RELEASE



8																			
7																			
6																			
5																			
4																			
3																			
2																			
1	BODY	BRASS	GOLD	1															
DESCRIPTION		MATERIAL		FINISH		QTY		DO NOT SCALE DRAWING		CAD FILE		DWG. NO.		REV.		SIZE		SCALE	
								UNLESS OTHERWISE SPECIFIED DIMENSIONS ARE IN MILLIMETERS. DIMENSIONS IN [ ] ARE IN INCHES AND FOR CUSTOMER REFERENCE ONLY. TOLERANCES FOR MILLIMETERS ARE: 0.5 - 8mm ± 0.20mm 8 - 30mm ± 0.40mm 30 - 120mm ± 0.50mm UNLESS OTHERWISE SPECIFIED TOLERANCES FOR INCHES ARE: .020 - .315 = ± 0.007" .315 - 1.180 = ± 0.015" 1.180 - 4.724 = ± 0.020"		C:/142/142326.DWG		142326.DWG		A		A		NA	
								APPROVALS		DATE		PART DESCRIPTION							
								DRAWN G.R.S.		12/22/03		PCB MOUNT CABLE TERMINATION (FOR .141" SEMI RIGID CABLE)							
								CHECKED				PART NO.							
								ISSUED				142326							
								SHEET		1 OF 1									

**Amphenol Connex**