

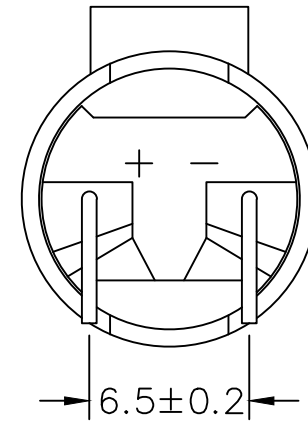
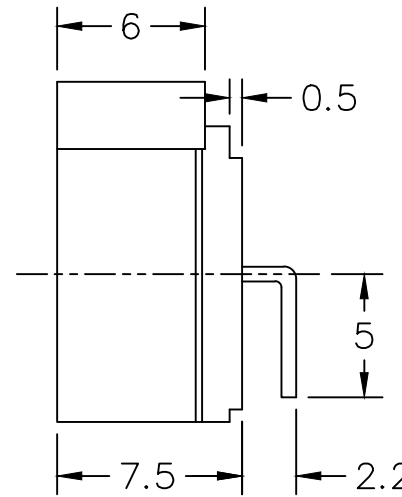
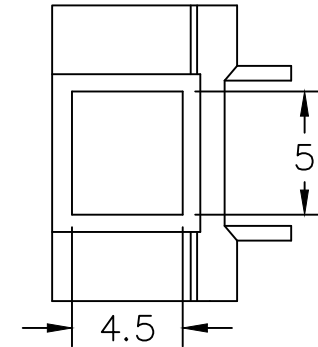
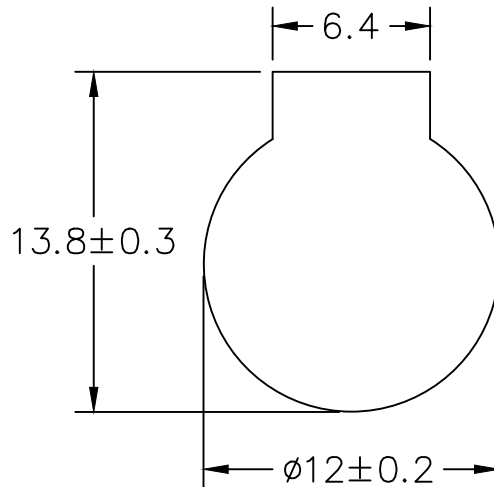
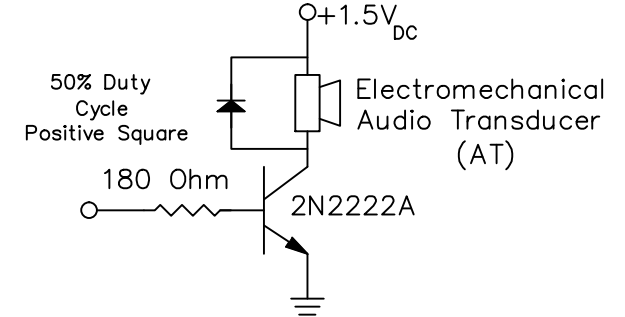
THIS DOCUMENT CONTAINS DATA PROPRIETARY TO PROJECTS UNLIMITED, INC. ANY USE OR REPRODUCTION, IN ANY FORM, WITHOUT PRIOR WRITTEN PERMISSION OF PROJECTS UNLIMITED, INC. IS PROHIBITED.  
© 2005, Projects Unlimited Inc.

### SPECIFICATIONS

PARAMETERS	VALUES	UNITS
RATED VOLTAGE (SQUARE WAVE)	1.5	Vp-p
OPERATING VOLTAGE RANGE	1 ~ 3	Vp-p
RATED CURRENT (MAX)	70	mA
COIL RESISTANCE	6.5±1	OHM
MINIMUM SPL @ 10 CM	90	dB
RESONANT FREQUENCY	2,650±500	Hz
OPERATING TEMPERATURE	-30 ~ +70	°C
STORAGE TEMPERATURE	-40 ~ +85	°C
HOUSING MATERIAL	NORYL	-
TERMINAL MATERIAL	Sn PLATED COPPER	-
WEIGHT	2	grams

REVISIONS			
LTR	DESCRIPTION	DATE	APPROVED
-	RELEASED FROM ENGINEERING	9/23/11	

### RECOMMENDED DRIVE CIRCUIT



#### NOTES:

- ALL DIMENSIONS ARE IN MILLIMETERS.
- SPECIFICATION SUBJECT TO CHANGE OR WITHDRAWAL WITHOUT NOTICE.
- THIS PART IS RoHS 2002/95/EC COMPLIANT.

UNLESS OTHERWISE SPECIFIED:  
DIMENSIONS ARE IN  
MILLIMETERS, TOLERANCES ARE ±0.5 AND  
ANGLES ARE ±3°.



3541 Stop Eight Road  
Dayton, Ohio 45414

APPROVALS	DATE
DRAWN <i>J.D.</i>	9/11
CHECKED <i>M.L.</i>	9/11
APPROVED <i>B.R.</i>	9/11

TRANSDUCER (ELECTRO-MECH)	
SIZE <b>A</b>	DRAWING NO. <b>AT-1426-ST-R</b>
SCALE: N.T.S.	SHEET 1 OF 1

FILE NAME  
AT-1426-ST-R.DWG