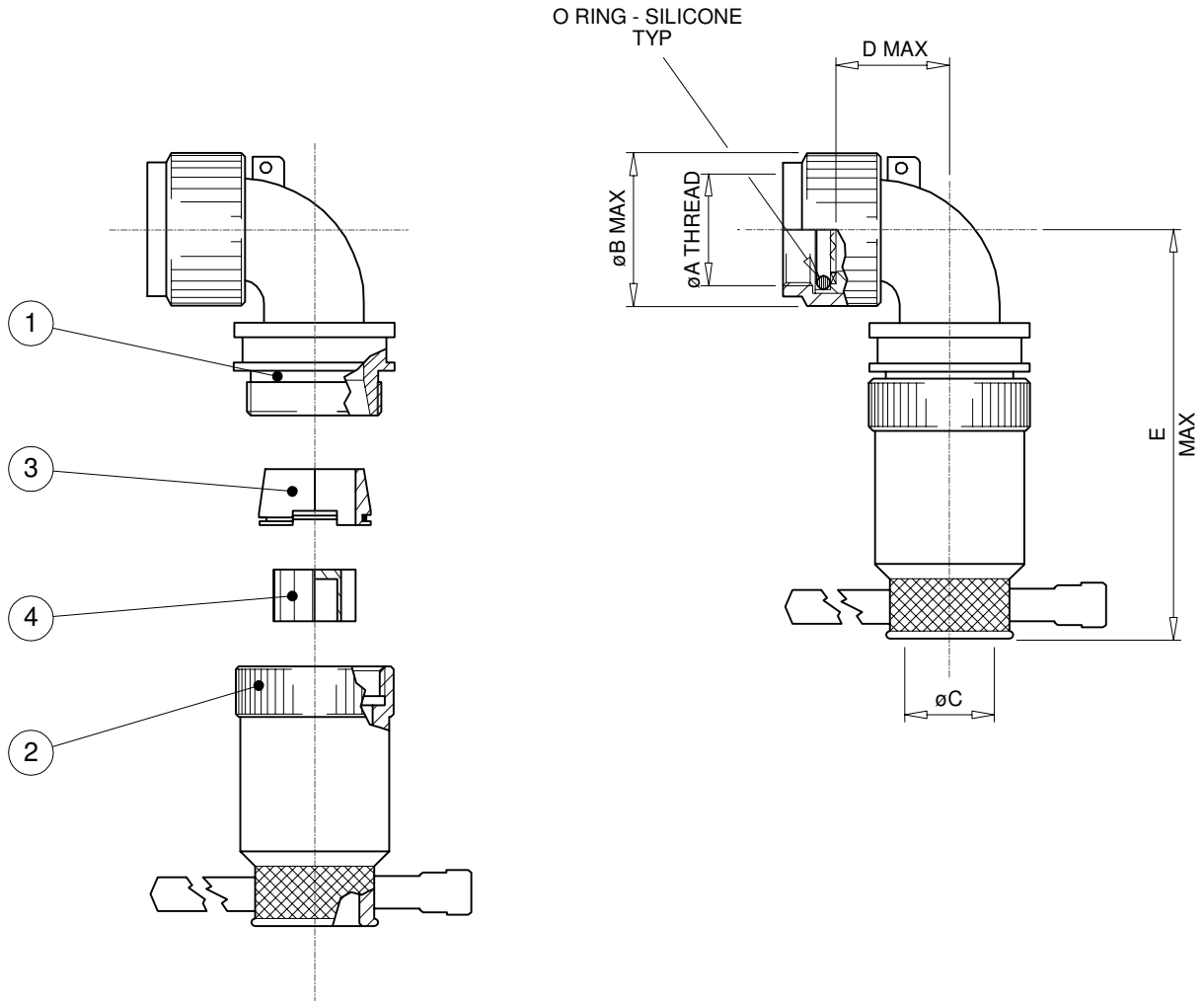


SPECIFICATION CONTROL DRAWING

REV:
1



DATE:
MAR 16, 2005



KIT DESCRIPTION

ITEM	DESCRIPTION	MATERIAL
1	BODY ASSEMBLY - 90° SWEEP	ALUMINIUM ALLOY
2	CLAMPING NUT ASSEMBLY - BANDSTRAP	ALUMINIUM ALLOY/STAINLESS STEEL
3	CONIC RING	ALUMINIUM ALLOY
4	STAR	ALUMINIUM ALLOY

© 2005 Tyco Electronics Corporation. All rights reserved.

		 300 Constitution Drive Menlo Park, CA 94025, USA		TITLE: HEXASHIELD SWEEP ADAPTOR FOR CODE 40 CONNECTORS BANDSTRAP CLAMPING NUT		
UNLESS OTHERWISE SPECIFIED DIMENSIONS ARE IN MILLIMETERS. INCH DIMENSIONS ARE SHOWN IN BRACKETS		Tyco Electronics reserves the right to amend this drawing at any time. Users should evaluate the suitability of the product for their application.		DOCUMENT NO. HEX40-AY-90S-AYY-3-YY		
DRAWN: IRT	DATE: MAR 05	CAGE CODE: 06090	DCR # D050093	FILE: 87002/90S-3	SCALE: NONE	SHEET: 1 OF 4

If this document is printed it becomes uncontrolled. Check for the latest revision.

SPECIFICATION CONTROL DRAWING

REV: 1	DATE: MAR 16, 2005
------------------	-----------------------

TABLE OF DIMENSIONS

Order Number	Shell Size		ØA Thread Class 6H	ØB Max	ØC ±0.10 [±.004"]	D Max	E Max	Ferrule Quantity	
	Mil.	Com.						Std.	Optional
09	A	09	M12 x 1	19.0 [0.75"]	8.00 [0.315"]	15.0 [0.59"]	54.0 [2.13"]	1	-
11	B	11	M15 x 1	22.0 [0.87"]	13.5 [0.531"]	16.0 [0.63"]	56.0 [2.20"]	2	-
13	C	13	M18 x 1	25.5 [1.00"]	15.00 [0.591"]	19.0 [0.75"]	56.0 [2.20"]	3	-
15	D	15	M22 x 1	30.5 [1.20"]	18.00 [0.709"]	19.0 [0.75"]	59.0 [2.32"]	5	-
17	E	17	M25 x 1	33.5 [1.32"]	21.00 [0.827"]	21.0 [0.83"]	61.0 [2.40"]	6	7
19	F	19	M28 x 1	37.0 [1.46"]	24.00 [0.945"]	23.0 [0.91"]	63.0 [2.48"]	7	8
21	G	21	M31 x 1	38.5 [1.52"]	27.00 [1.063"]	23.0 [0.91"]	65.0 [2.56"]	9	11
23	H	23	M34 x 1	42.0 [1.65"]	30.00 [1.181"]	28.0 [1.10"]	67.0 [2.64"]	10	11, 12 13, 15
25	J	25	M37 x 1	46.5 [1.83"]	33.00 [1.299"]	28.0 [1.10"]	67.0 [2.64"]	12	13, 14, 15, 17, 18

PART NUMBERING

HEX40 - A B - 90S - 21 - A9 - 3 - DS

- CONNECTOR CODE NUMBER _____
HEX40 = MIL-C-38999 SERIES III AND IV
- MATERIAL CODE: _____
A = ALUMINIUM ALLOY
- PLATING CODE: _____
B = CADMIUM OLIVE DRAB TO SAE-AMS-QQ-P-416
C = ELECTROLESS NICKEL TO SAE-AMS-MIL-C-26074
- BODY STYLE _____
90S = 90° SWEPT
- ORDER NUMBER _____
- FERRULE QUANTITY CODE _____
- 3 = BANDSTRAP CLAMPING NUT _____
- DS = DRILLED STAR - OPTIONAL - SEE NOTE 2 _____

APPLICATION

- These adaptors are designed to be mounted on the following connectors:

MIL-C-38999 Series III and IV

- They are qualified to the Raychem specification RB-114, when installed on metallic Mil-Specification circular connectors only.
- They are designed primarily for open wire bundle installation with overbraid, but are also designed to accept Raychem heat shrink moulded parts where strain relief is required – see illustration on sheet 3.

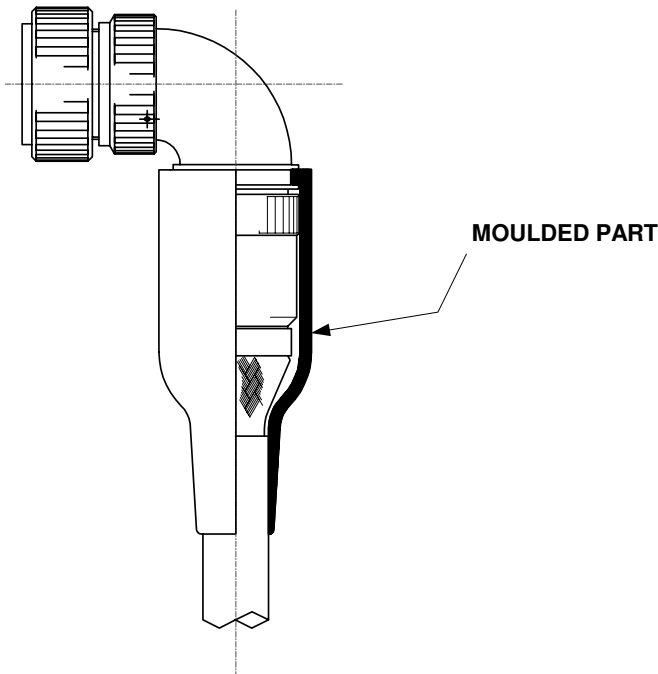
© 2005 Tyco Electronics Corporation. All rights reserved.

		Raychem <small>300 Constitution Drive Menlo Park, CA 94025, USA</small>		TITLE: HEXASHIELD SWEPT ADAPTOR FOR CODE 40 CONNECTORS BANDSTRAP CLAMPING NUT	
UNLESS OTHERWISE SPECIFIED DIMENSIONS ARE IN MILLIMETERS. INCH DIMENSIONS ARE SHOWN IN BRACKETS		Tyco Electronics reserves the right to amend this drawing at any time. Users should evaluate the suitability of the product for their application.		DOCUMENT NO. HEX40-AY-90S-AYY-3-YY	
DRAWN: IRT	DATE: MAR 05	CAGE CODE: 06090	DCR # D050093	FILE: 87002/90S-3	SCALE: NONE
				SHEET: 2 OF 4	

If this document is printed it becomes uncontrolled. Check for the latest revision.

SPECIFICATION CONTROL DRAWING

REV: 1	DATE: MAR 16, 2005
------------------	-----------------------



- Use in conjunction with the ferrules HET-A-0XX, which are purchased separately. Refer to HET-A-0XX S.C.D. for relevant selection details.

INSTALLATION

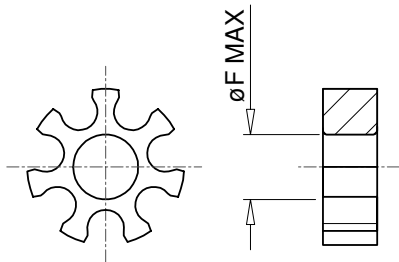
- See Installation Procedure RPIP-696-07.

PACKAGING

- All components are supplied in a plastic bag.

NOTES!

1. Item 4 - Star - is **not** supplied with Hexashield Order Number 09.
2. The DS option, illustrated below, is for a Drilled Star that is available on sizes 15 to 25 only. This option is to allow unshielded wires to pass through the assembly.



STAR SIZE	15	17	19	21	23	25
ØF MAX	3.0 [0.12"]	6.0 [0.24"]	9.0 [0.35"]	12.0 [0.47"]	15.0 [0.59"]	18.0 [0.71"]

© 2005 Tyco Electronics Corporation. All rights reserved.

		<p style="margin: 0;">Raychem 300 Constitution Drive Menlo Park, CA 94025, USA</p>		<p style="margin: 0; font-size: small;">TITLE:</p> <p style="margin: 0;">HEXASHIELD SWEEP ADAPTOR FOR CODE 40 CONNECTORS BANDSTRAP CLAMPING NUT</p>		
UNLESS OTHERWISE SPECIFIED DIMENSIONS ARE IN MILLIMETERS. INCH DIMENSIONS ARE SHOWN IN BRACKETS		Tyco Electronics reserves the right to amend this drawing at any time. Users should evaluate the suitability of the product for their application.		<p style="margin: 0; font-size: small;">DOCUMENT NO.</p> <p style="margin: 0;">HEX40-AY-90S-AYY-3-YY</p>		
DRAWN: IRT	DATE: MAR 05	CAGE CODE: 06090	DCR # D050093	FILE: 87002/90S-3	SCALE: NONE	SHEET: 3 OF 4

If this document is printed it becomes uncontrolled. Check for the latest revision.

SPECIFICATION CONTROL DRAWING

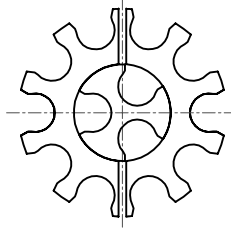
REV:
1

DATE:
MAR 16, 2005

3. Where the ferrule quantities required are standard, the item 4 - Star - is also standard.
 If the optional quantity is selected then 2 items 4 will be supplied - one "split" and the other one standard.
 See illustration on sheet 4 for a typical assembly and also refer to HEX02 S.C.D's for further information if required.

EXAMPLE: FERRULE QUANTITY CODE -A13

-A13 = -A10 SPLIT STAR + -A3 STANDARD STAR



4. Assembly is to be permanently marked with Code Identity Number and Part Number.
 (e.g. 06090 HEX40-AB-90S-21-A9-3)

© 2005 Tyco Electronics Corporation. All rights reserved.

		Raychem 300 Constitution Drive Menlo Park, CA 94025, USA		TITLE: HEXASHIELD SWEEP ADAPTOR FOR CODE 40 CONNECTORS BANDSTRAP CLAMPING NUT		
UNLESS OTHERWISE SPECIFIED DIMENSIONS ARE IN MILLIMETERS. INCH DIMENSIONS ARE SHOWN IN BRACKETS		Tyco Electronics reserves the right to amend this drawing at any time. Users should evaluate the suitability of the product for their application.		DOCUMENT NO. HEX40-AY-90S-AYY-3-YY		
DRAWN:	DATE:	CAGE CODE:	DCR #	FILE:	SCALE:	SHEET:
IRT	MAR 05	06090	D050093	87002/90S-3	NONE	4 OF 4

If this document is printed it becomes uncontrolled. Check for the latest revision.