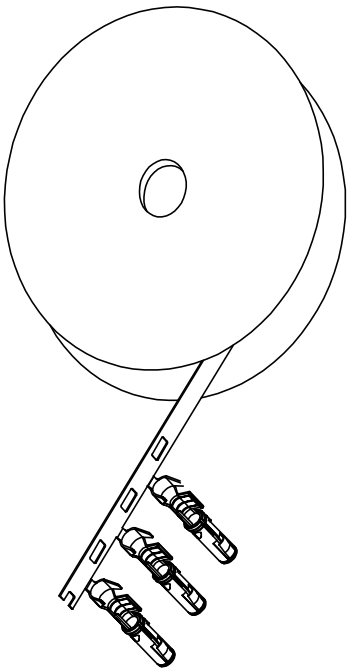


REVISIONS					
REV	ECO	DESCRIPTION	DATE	BY	APPR
A1	-	RELEASED DRAWING	Sep-7-2016	Ben	Tommy
A2	-	Updating Drawing	Sep-14-2016	Flan	Tommy

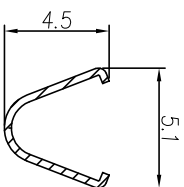


CONTACT ORIENTATION ON ROLL

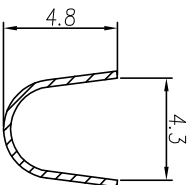
NOTES : (UNLESS OTHERWISE SPECIFIED)

1. MATERIAL :
 - 1.1. CONTACT BODY : COPPER ALLOY.
 - 1.2. OUTER SPRING : STAINLESS STEEL.
2. SPECIFICATIONS :
 - 2.1 CURRENT RATING : 23A MAX.
 - 2.2 TERMINATION TYPE : CRIMPING.
 - 2.3 WIRE RANGE : 4mm².
 - 2.4 WIRE INSULATION DIA(MAX) : ϕ 4.3mm.
3. ROHS COMPLIANT.
4. ALL DIMENSIONS ARE FOR REFERENCE USE ONLY.

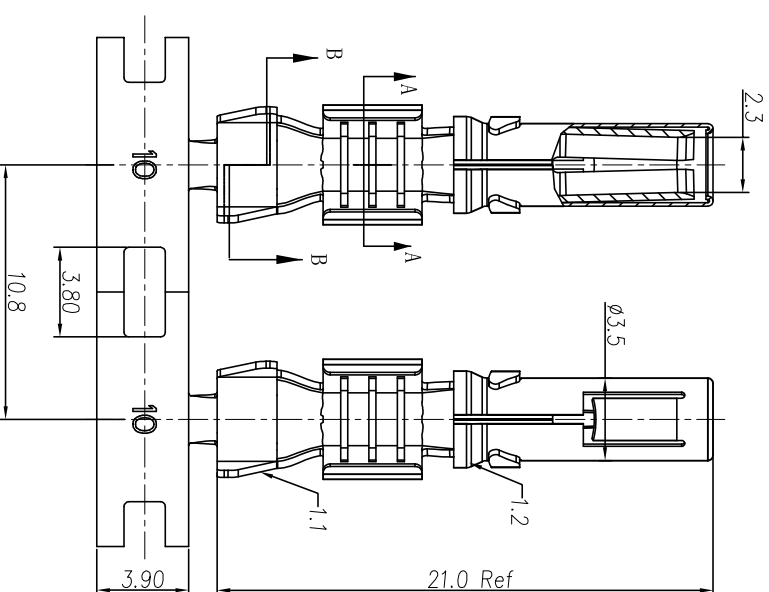
P/N	CONTACT PLATING(MATING AREA)
SS12A1T-10	TIN PLATING OVER NICKEL.
SS12A1F-10	GOLD FLASH PLATING OVER NICKEL.
SS12A1G10-10	10 μ " GOLD PLATING OVER NICKEL.
SS12A1G15-10	15 μ " GOLD PLATING OVER NICKEL.
SS12A1G30-10	30 μ " GOLD PLATING OVER NICKEL.



SECTION A-A



SECTION B-B



QUANTITY	PART NUMBER	DESCRIPTION	ITEM
MATERIALS LIST			

SIGNATURES	DATE
DESIGNER: Rm	001-16-17
CHECKER: lod	001-16-17
ENGINEER:	
APPROVAL: Tommy	001-16-17
CUSTOMER:	

UNLESS OTHERWISE SPECIFIED 1) All dimensions are in millimeters. 2) Tolerances are as follows: 1 Pl. DEC 40.30 Fractions .1/16" 3 Pl. DEC 40.08 Angles .1°	PROCESS SPECIFICATIONS: NEXT ASSY:	TEST SPECIFICATIONS: SPECIFICATIONS AND PERFORMANCE DATA ARE THE PROPERTY OF AMPHENOL. ALL RIGHTS OF REPRODUCTION ARE RESERVED. ALL MANUFACTURING VARIATIONS	SCALE: NONE	SHEET 1 OF 1
--	---------------------------------------	---	-------------	--------------

Amphenol

Sine Systems - www.amphenol-sine.com
44724 Morley Drive
Clinton Township, MI 48036

ECO-MATE SOCKET CONTACT,
STAMPED, 4.0mm², 2.5mm CONTACT