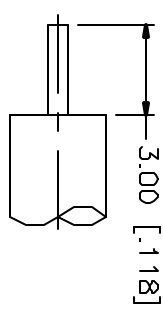
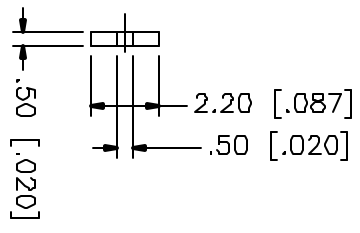
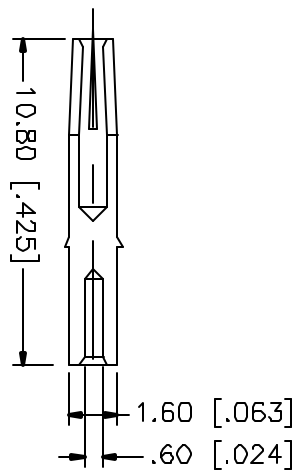
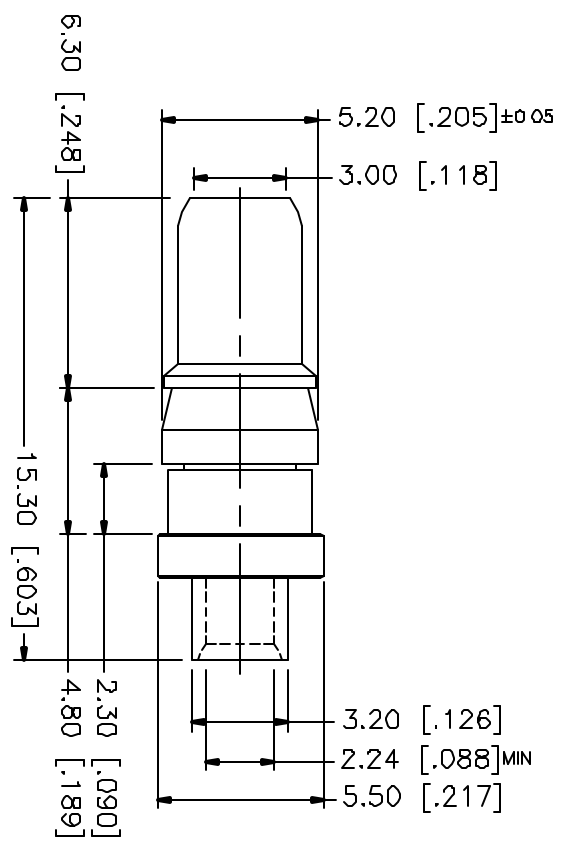


REV.	DATE	DESCRIPTION
NC	08/09/01	INITIAL RELEASE



RECOMMENDED  
CABLE STRIPPING DIM'S



DESCRIPTION	MATERIAL	FINISH	UNLESS OTHERWISE SPECIFIED DIMENSIONS ARE IN MILLIMETERS DIMENSIONS IN [ ] ARE IN INCHES FOR CUSTOMER REFERENCE ONLY	APPROVALS	DATE	TITLE	SIZE	FSCN NO	PART NO.	DWG. NO	REV		
1 BODY	BRASS	GOLD	UNLESS OTHERWISE SPECIFIED DIMENSIONS ARE IN MILLIMETERS DIMENSIONS IN [ ] ARE IN INCHES FOR CUSTOMER REFERENCE ONLY  UNLESS OTHERWISE SPECIFIED TOLERANCES FOR MILLIMETERS ARE: 0.5-6 = ± 0.2 6-30 = ± 0.4 30-120 = ± 0.6 120-315 = ± 1 315-1000 = ± 1.6 1000-2000 = ± 2.4	DRAWN	GRS	08/09/01	<b>Connex</b> Connector Corporation D-SUB CRIMP PLUG (RG .085", .086" SEMI RIGID CABLE)	A	99001	212108	212108.DWG	NC	
2 INSULATOR	TEFLON	NATURAL		REVISED									
3 CONTACT PIN	PHOS. BRONZE	GOLD		ESTD									
4													
5													
6													
7													
8													

DO NOT SCALE DRAWING

SCALE NA PART NO. 212108 SHEET 1 OF 1