

**Quad channel high-side driver**

Datasheet - production data

**Features**

- General
  - 16 bit ST-SPI for full and diagnostic
  - Programmable BULB/LED mode
  - Integrated PWM and phase shift generation unit
  - 160 Hz internal PWM fallback frequency
  - Advanced limp home functionalities for robust fail-safe system
  - Very low standby current
  - Optimized electromagnetic emissions
  - Very low electromagnetic susceptibility
  - In compliance with the 2002/95/EC
- Diagnostic
  - Multiplex proportional load current sense
  - Synchronous diagnostic of overload and short to GND, output shorted to  $V_{CC}$ , ON-state and OFF-state open-load
  - Programmable case overtemperature warning
- Protections
  - Load current limitation
  - Self limiting of fast thermal transients
  - Power limitation and overtemperature shutdown (latching off or autorestart)
  - Undervoltage shutdown
  - Overvoltage clamp
  - Reverse battery protected through power outputs self turn-on (no external components)
  - Load dump protected
  - Protection against loss of ground

**Description**

The VNQ6040S-E is a device made using STMicroelectronics® VIPower® technology. It is intended for driving resistive or inductive loads directly connected to ground. The device is protected against voltage transient on  $V_{CC}$  pin.

Programming, control and diagnostics are implemented via the SPI bus.

An analog current feedback for each channel is connected to the CURRENT-SENSE pin via a multiplexer. A CS\_SYNC pin delivers a synchronous signal for sampling the current sense while the corresponding output is on.

The device detects open-load for both on-state and off-state conditions.

Real time diagnostic is available through the SPI bus (open-load, output short to  $V_{CC}$ , overtemperature, communication error).

Output current limitation protects the device in an overload condition. The device can limit the dissipated power to a safe level up to thermal shutdown intervention. Thermal shutdown can be configured as latched off or with automatic restart.

The device enters a limp home mode in case of loss of digital supply ( $V_{DD}$ ), reset of digital memory or CSN monitoring time-out event. In this mode states of channel 0, 1, 2 or 3 are respectively controlled by four dedicated pins IN0, IN1, IN2 and IN3. Each channel can be programmed in BULB/LED mode.

# Contents

|          |   |           |
|----------|---|-----------|
| <b>1</b> | <b>Block diagram and pin description</b>                    | <b>8</b>  |
| <b>2</b> | <b>Functional description</b>                               | <b>12</b> |
| 2.1      | Operating modes   | 12        |
| 2.1.1    | Reset mode  | 14        |
| 2.1.2    | Fail Safe mode  | 14        |
| 2.1.3    | Normal mode   | 15        |
| 2.1.4    | Standby mode  | 16        |
| 2.1.5    | Sleep mode 1  | 16        |
| 2.1.6    | Sleep mode 2  | 16        |
| 2.1.7    | Battery undervoltage mode                                   | 16        |
| 2.2      | Programmable functions                                      | 19        |
| 2.2.1    | Outputs configuration                                       | 19        |
| 2.2.2    | Case over temperature                                       | 20        |
| 2.2.3    | Protections   | 21        |
| 2.2.4    | Open-load ON-state detection                                | 22        |
| 2.2.5    | Open-load OFF-state detection                               | 23        |
| 2.2.6    | Current sense   | 24        |
| 2.3      | Test mode (reserved)  | 25        |
| <b>3</b> | <b>SPI functional description</b>                           | <b>26</b> |
| 3.1      | SPI communication   | 26        |
| 3.1.1    | Signal description  | 26        |
| 3.1.2    | Connecting to the SPI bus                                   | 26        |
| 3.1.3    | SPI mode  | 26        |
| 3.2      | SPI protocol  | 27        |
| 3.2.1    | SDI, SDO format   | 27        |
| 3.2.2    | Global status byte description                              | 28        |
| 3.2.3    | Operating code definition                                   | 29        |
| 3.3      | Address mapping   | 32        |
| 3.3.1    | Address 00h - Control Register (CTLR)                       | 34        |
| 3.3.2    | Address 01h - SPI Output Control Register (SOCR)            | 34        |
| 3.3.3    | Address 02h - Direct Input Enable Control Register (DIENCR) | 35        |

|          |   |           |
|----------|---|-----------|
| 3.3.4    | Address 03h - Current Sense Multiplexer Control Register (CSMUXCR)              | 35        |
| 3.3.5    | Address 04h - Current Sense Ratio Control Register (CSRATCR)                    | 36        |
| 3.3.6    | Address 05h - PWM Mode Control Register (PWMCR)                                 | 36        |
| 3.3.7    | Address 06h - Open-load ON-State Control Register (OLONCR)                      | 37        |
| 3.3.8    | Address 07h - Open-load OFF-State Control Register (OLOFFCR)                    | 37        |
| 3.3.9    | Address 08h - Automatic Shutdown Control Register (ASDTCR)                      | 37        |
| 3.3.10   | Address 09h - Channel Control Register (CCR)                                    | 38        |
| 3.3.11   | Address 10h - 13h - Duty Cycle Control Register (DUTYXCR)                       | 38        |
| 3.3.12   | Address 18h - 1Ah - Phase Control Register (PHASEXCR)                           | 39        |
| 3.3.13   | Address 2Eh - Channel Read Back Status Register (CHDRVR)                        | 39        |
| 3.3.14   | Address 2Fh - General Status Register (GENSTR)                                  | 40        |
| 3.3.15   | Address 30h - Over Temperature Status Register (OTFLTR)                         | 40        |
| 3.3.16   | Address 31h - Open-Load ON-State Status Register (OLFLTR)                       | 41        |
| 3.3.17   | Address 32h - Open-Load OFF-State / Stuck to $V_{CC}$ Status Register (STKFLTR) | 42        |
| 3.3.18   | Address 33h - Power Limitation Status Register (PWLMFLTR)                       | 42        |
| 3.3.19   | Address 34h - Over Load Status Register (OVLFLTR)                               | 43        |
| 3.3.20   | Minimum duty cycle vs frequency   | 43        |
| 3.3.21   | Address 3Eh - Test Register (TEST)  | 45        |
| 3.3.22   | Address 3Fh - Configuration Register (GLOBCTR)                                  | 45        |
| <b>4</b> | <b>Electrical specifications</b>  | <b>46</b> |
| 4.1      | Absolute maximum ratings  | 46        |
| 4.2      | Thermal data  | 47        |
| 4.3      | Electrical characteristics  | 48        |
| 4.3.1    | SPI   | 48        |
| 4.3.2    | BULB mode   | 52        |
| 4.3.3    | LED mode  | 54        |
| 4.4      | Maximum demagnetization energy ( $V_{CC} = 13.5\text{ V}$ )                     | 62        |
| <b>5</b> | <b>Package and PCB thermal data</b>   | <b>63</b> |
| 5.1      | PowerSSO-36 thermal data  | 63        |
| <b>6</b> | <b>Package information</b>  | <b>66</b> |
| 6.1      | ECOPACK <sup>®</sup> package  | 66        |
| 6.2      | PowerSSO-36 <sup>™</sup> mechanical data  | 66        |

---

|          |                               |           |
|----------|-------------------------------|-----------|
| 6.3      | Packing information .....     | 68        |
| <b>7</b> | <b>Order codes .....</b>      | <b>69</b> |
| <b>8</b> | <b>Revision history .....</b> | <b>70</b> |

## List of tables

|           |  |    |
|-----------|--|----|
| Table 1.  | Pin functionality description                              | 10 |
| Table 2.  | Operating modes  | 13 |
| Table 3.  | Output control truth table                                 | 19 |
| Table 4.  | Example of DUTYCXCR register                               | 20 |
| Table 5.  | Example of PHASEXCR register                               | 20 |
| Table 6.  | Activation of blanking filter in case of power limitation  | 22 |
| Table 7.  | Nominal open-load thresholds                               | 23 |
| Table 8.  | STKFLTR state  | 24 |
| Table 9.  | Current sense ratio  | 24 |
| Table 10. | SPI signal description                                     | 26 |
| Table 11. | Command byte   | 27 |
| Table 12. | Input data byte  | 28 |
| Table 13. | Global status byte   | 28 |
| Table 14. | Output data byte   | 28 |
| Table 15. | Global status byte   | 28 |
| Table 16. | Operating codes  | 29 |
| Table 17. | RAM memory map   | 32 |
| Table 18. | ROM memory map   | 33 |
| Table 19. | Control register   | 34 |
| Table 20. | SPI output control register                                | 34 |
| Table 21. | Direct enable control register                             | 35 |
| Table 22. | Current sense multiplexer control register                 | 35 |
| Table 23. | Current sense ratio control register                       | 36 |
| Table 24. | PWM mode control register                                  | 36 |
| Table 25. | Open-load ON-state control register                        | 37 |
| Table 26. | Open-load OFF-state control register                       | 37 |
| Table 27. | Automatic shutdown control register                        | 37 |
| Table 28. | Channel control register                                   | 38 |
| Table 29. | DUTYCXCR - duty cycle control register                     | 38 |
| Table 30. | PHASEXCR - duty cycle control register                     | 39 |
| Table 31. | Channel read back status register                          | 39 |
| Table 32. | General status register                                    | 40 |
| Table 33. | Over temperature status register                           | 40 |
| Table 34. | Open-load ON-state status register                         | 41 |
| Table 35. | Open-load OFF-state / stuck to $V_{CC}$ status register    | 42 |
| Table 36. | Power limitation status register                           | 42 |
| Table 37. | Over load status register                                  | 43 |
| Table 38. | Test register  | 45 |
| Table 39. | Configuration register                                     | 45 |
| Table 40. | Absolute maximum ratings                                   | 46 |
| Table 41. | Thermal data   | 47 |
| Table 42. | SPI - DC characteristics                                   | 48 |
| Table 43. | SPI - AC characteristics (SDI, SCK, CSN, SDO, PWMCLK pins) | 49 |
| Table 44. | SPI - dynamic characteristics                              | 49 |
| Table 45. | SPI - CS_sync pin  | 49 |
| Table 46. | SPI - power section  | 50 |
| Table 47. | SPI - logic inputs (IN0,1,2,3 pins)                        | 50 |
| Table 48. | SPI - protections  | 51 |

---

|           |  |    |
|-----------|--|----|
| Table 49. | SPI - open-load detection (8V < VCC < 18 V) . . . . .              | 51 |
| Table 50. | BULB - power section . . . . .                                     | 52 |
| Table 51. | BULB - switching (VCC = 13 V) . . . . .                            | 52 |
| Table 52. | BULB - open-load detection (8 V < VCC < 18 V) . . . . .            | 52 |
| Table 53. | BULB - protections and diagnosis . . . . .                         | 52 |
| Table 54. | BULB - current sense (8 V < VCC < 18 V, channel 0,1,2,3) . . . . . | 53 |
| Table 55. | LED - power section . . . . .                                      | 54 |
| Table 56. | LED - switching (VCC=13V channel 0,1,2,3) . . . . .                | 54 |
| Table 57. | LED - open-load detection (8 V < VCC < 18 V) . . . . .             | 55 |
| Table 58. | LED - protections and diagnosis . . . . .                          | 55 |
| Table 59. | LED - current sense (8 V < VCC < 18 V , channel 0,1,2,3) . . . . . | 55 |
| Table 60. | Electrical transient requirements (part 1) . . . . .               | 57 |
| Table 61. | Electrical transient requirements (part 2) . . . . .               | 57 |
| Table 62. | Electrical transient requirements (part 3) . . . . .               | 58 |
| Table 63. | Thermal parameter . . . . .  | 65 |
| Table 64. | PowerSSO-36 mechanical data . . . . .                              | 67 |
| Table 65. | Device summary . . . . .   | 69 |
| Table 66. | Document revision history . . . . .                                | 70 |

## List of figures

|            |  |    |
|------------|--|----|
| Figure 1.  | SPI configurable functionalities. . . . .  | 8  |
| Figure 2.  | SPI diagnostic reporting . . . . .   | 8  |
| Figure 3.  | Block diagram . . . . .  | 9  |
| Figure 4.  | Connection diagram (top view - not in scale) . . . . .                                 | 9  |
| Figure 5.  | Battery undervoltage shutdown diagram . . . . .  | 17 |
| Figure 6.  | Device state diagram . . . . .   | 18 |
| Figure 7.  | Example of PWM mode . . . . .  | 20 |
| Figure 8.  | Open-load OFF-state detection . . . . .  | 23 |
| Figure 9.  | Example of CS_SYNC synchronization and the current sense pin . . . . .                 | 24 |
| Figure 10. | Bus master and two devices in a normal configuration . . . . .                         | 27 |
| Figure 11. | Supported SPI mode . . . . .   | 27 |
| Figure 12. | SPI write operation . . . . .  | 30 |
| Figure 13. | SPI read operation . . . . .   | 30 |
| Figure 14. | SPI read and clear operation . . . . .   | 31 |
| Figure 15. | SPI read device information . . . . .  | 32 |
| Figure 16. | Behaviour of overtemperature status bits . . . . .                                     | 41 |
| Figure 17. | Behaviour of power limitation status bits . . . . .                                    | 43 |
| Figure 18. | Min duty cycle vs frequency - BULB_MODE . . . . .                                      | 44 |
| Figure 19. | Min duty cycle vs frequency - LED_MODE. . . . .  | 44 |
| Figure 20. | Current and voltage conventions . . . . .  | 46 |
| Figure 21. | Current sense delay characteristics . . . . .  | 56 |
| Figure 22. | Switching characteristics . . . . .  | 57 |
| Figure 23. | Application schematic. . . . .   | 59 |
| Figure 24. | Typical application . . . . .  | 60 |
| Figure 25. | SPI timings . . . . .  | 61 |
| Figure 26. | Maximum turn off current versus inductance (channel 0-3) . . . . .                     | 62 |
| Figure 27. | PowerSSO-36 PC board. . . . .  | 63 |
| Figure 28. | Rthj-amb vs PCB copper area in open box free air condition (one channel ON) . . . . .  | 64 |
| Figure 29. | PowerSSO-36 Thermal impedance junction ambient single pulse (one channel ON) . . . . . | 64 |
| Figure 30. | Thermal fitting model of a quad channel HSD in PowerSSO-36 . . . . .                   | 65 |
| Figure 31. | PowerSSO-36™ package dimensions . . . . .  | 66 |
| Figure 32. | PowerSSO-36 tape and reel shipment (suffix "TR") . . . . .                             | 68 |

# 1 Block diagram and pin description

Figure 1. SPI configurable functionalities

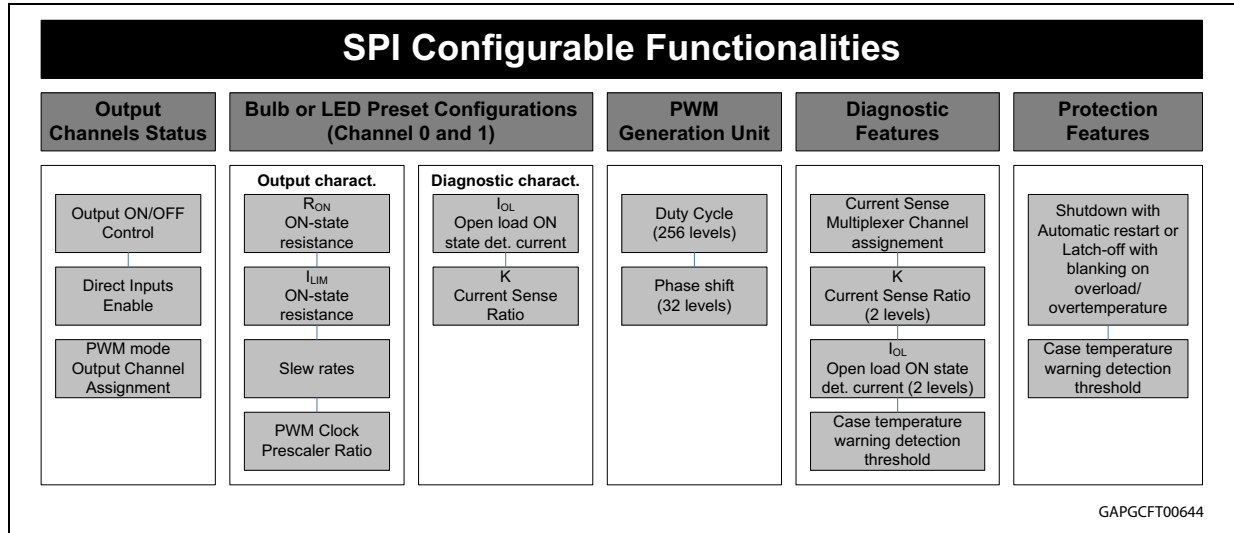


Figure 2. SPI diagnostic reporting

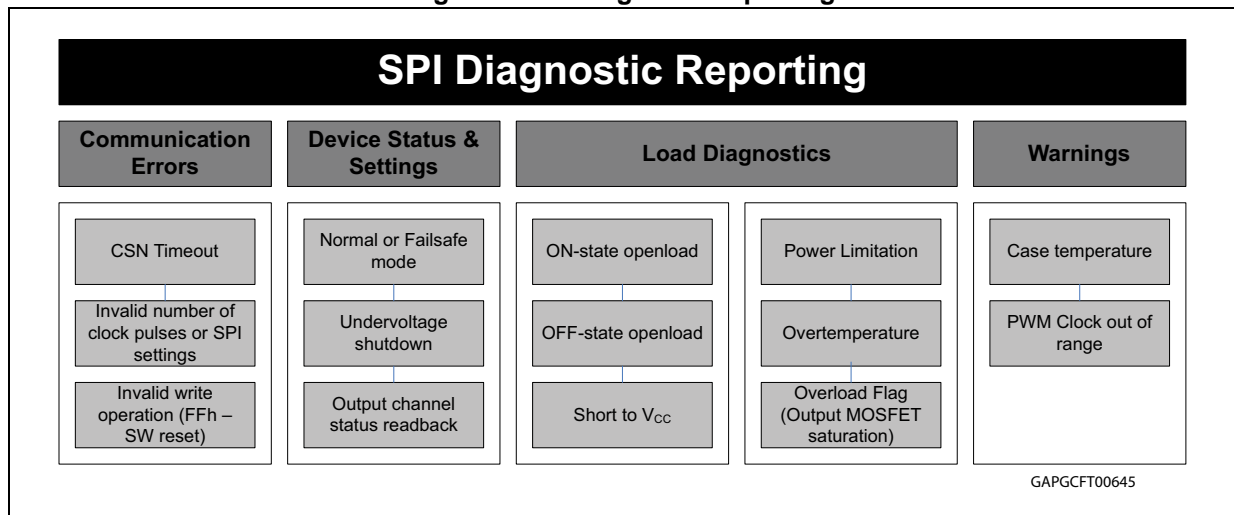




Figure 3. Block diagram

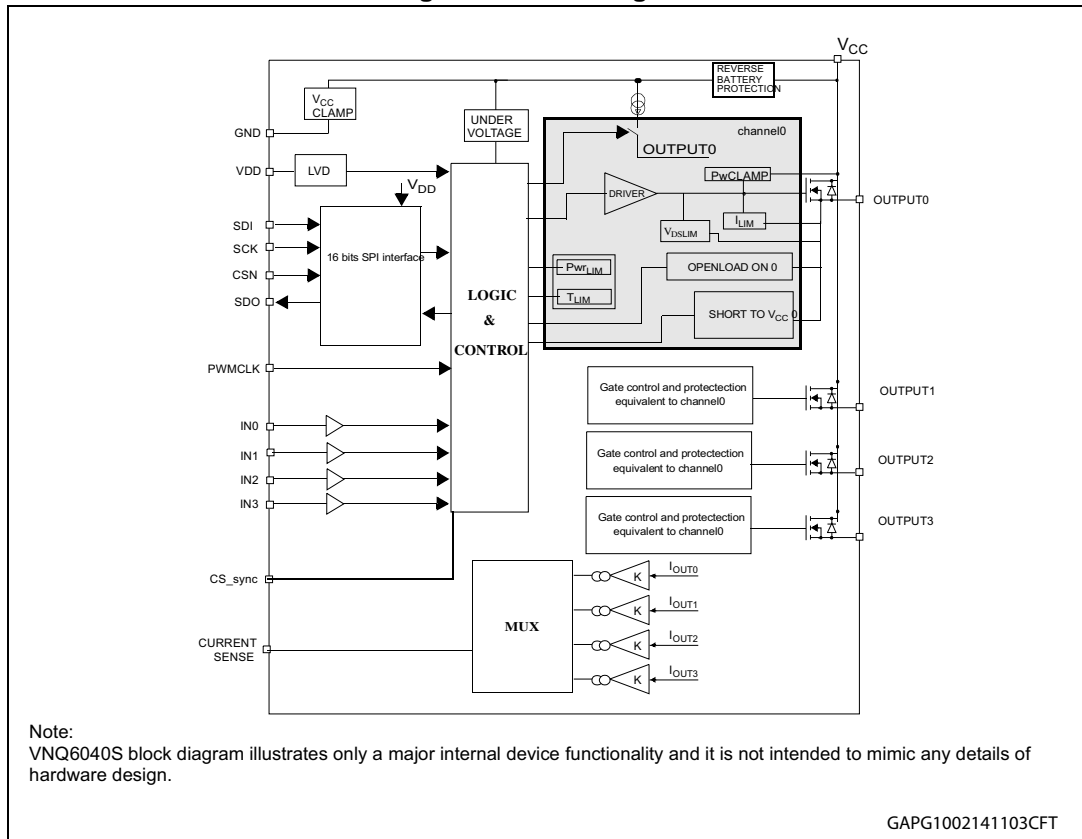


Figure 4. Connection diagram (top view - not in scale)

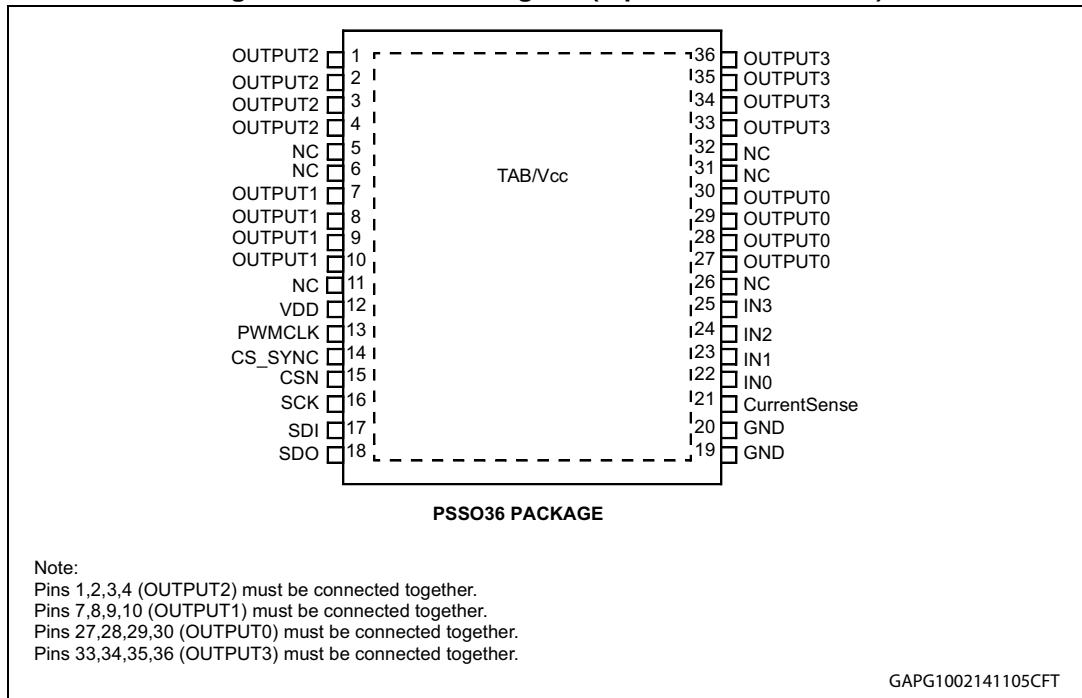


Table 1. Pin functionality description

| Pin number     | Name            | Function  |
|----------------|-----------------|---|
| —              | V <sub>CC</sub> | Battery connection. This is the backside TAB and is the direct connection to drain Power MOSFET switches.   |
| 19, 20         | GND             | Ground connection. This pin serves as the ground connection for the logic part of the device.   |
| 27, 28, 29, 30 | OUTPUT0         | Power OUTPUT 0. It is the direct connection to the source Power MOSFET switch No. 0.  |
| 7, 8, 9, 10    | OUTPUT1         | Power OUTPUT 1. It is the direct connection to the source Power MOSFET switch No. 1.  |
| 1, 2, 3, 4     | OUTPUT2         | Power OUTPUT 2. It is the direct connection to the source Power MOSFET switch No. 2.  |
| 33, 34, 35, 36 | OUTPUT3         | Power OUTPUT 3. It is the direct connection to the source Power MOSFET switch No. 3.  |
| 15             | CSN             | Chip Select Not (Active low). It is the selection pin of the device. It is a CMOS compatible input.<br>It is also used as CSN monitoring pin. It must be toggled within a CSN monitoring Time-out period to keep the device alive.  |
| 16             | SCK             | Serial Clock. It is a CMOS compatible input.  |
| 17             | SDI             | Serial Data Input. Transfers data to be written serially into the device on SCK rising edge.  |
| 18             | SDO             | Serial Data Output. Transfers data serially out of the device on SCK falling edge.  |
| 13             | PWMCLK          | PWM external clock. The frequency of the internal PWM signal is 1/512xPWM CLK frequency for channels operating in BULB mode and 1/256xPWM CLK frequency for channels operating in LED mode. Device defaults to internally generated fixed PWM frequencies if PWM CLK frequency decreases below the minimum specified value. |
| 14             | CS_SYNC         | Current sense synchronization pin. The pin is high when the outputs, whose currents are reflected on current sense pin, are on.   |
| 22             | IN0             | Direct Input pin for channel 0. Controls the OUTPUT 0 state in Limp Home mode.  |
| 23             | IN1             | Direct Input pin for channel 1. Controls the OUTPUT 1 state in Limp Home mode.  |
| 24             | IN2             | Direct Input pin for channel 2. Controls the OUTPUT 2 state in Limp Home mode.  |
| 25             | IN3             | Direct Input pin for channel 3. Controls the OUTPUT 3 state in Limp Home mode.  |
| 12             | V <sub>DD</sub> | External 5V Supply. Powers the SPI interface.   |

Table 1. Pin functionality description (continued)

| Pin number              | Name         | Function  |
|-------------------------|--------------|---|
| 21                      | CurrentSense | Analog current sense generator proportional to output current. Current Sense ratio can be programmed for each channel. The pin can output the current sense of OUTPUT 0, 1, 2 or 3. The value of resistance that is connected between the CURRENT SENSE pin and device ground determines the reading level for the microcontroller. |
| 5, 6, 11, 26,<br>31, 32 | NC           | Not connected.  |

## 2 Functional description

### 2.1 Operating modes

The device can operate in 7 different modes:

- **Reset mode**  
Reset mode is entered after startup, and if the digital voltage  $V_{DD}$  falls below  $V_{DDR}$ . In this condition, the outputs are controlled by the direct inputs INX. The SPI is inactive, all SPI registers are cleared.
- **Fail Safe mode**  
After reset, after wake-up from Standby or Sleep mode 1 or 2 and in case of several error conditions, the device operates in Fail Safe mode. In this condition, the outputs are controlled by the direct inputs INX regardless of SPI commands. Diagnosis is available through SPI bus.
- **Normal mode**  
If the device is in Fail Safe mode, Normal mode can be entered using a special SPI sequence. In Normal mode, outputs can be driven by SPI commands or a combination of SPI command and direct inputs INX. Diagnosis is available through SPI bus and CurrentSense pin.
- **Standby mode**  
If the device is in Normal mode or Fail Safe mode, Standby mode can be entered using a special SPI sequence. In Standby mode the consumption of the digital part is nearly 0. The outputs are controlled by the direct inputs INX regardless of SPI commands.
- **Sleep mode 1**  
If the device is in Reset mode and the direct inputs INX are all 0, the device enters Sleep mode 1. In Sleep mode 1, the output stages are off, the current consumption of the digital part is nearly 0 and the current consumption on  $V_{CC}$  is below  $I_{Soff}$ .
- **Sleep mode 2**  
If the device is in Standby mode and the direct inputs INX are all 0, the device enters Sleep mode 2. In Sleep mode 2, the output stages are off, the current consumption of the digital part is nearly 0 and the current consumption on  $V_{CC}$  is below  $I_{Soff}$ .
- **Battery undervoltage mode**  
If the battery voltage  $V_{CC}$  is below the undervoltage threshold, the device enters Battery undervoltage mode. In this condition, the output stages are off regardless of SPI commands.

The Reset mode, the Fail Safe mode and the Sleep mode 1 are combined into the Limp home mode. In this mode the chip is able to operate without the connection to the SPI. All transitions between the states in limp home mode are driven by  $V_{DD}$  and INX. The outputs are controlled by the direct inputs INX.

For an overview over the operating modes and the triggering conditions please refer to [Table 2](#).

Table 2. Operating modes

| Operating mode | Entering conditions  | Leaving conditions   | Characteristics  |
|----------------|--|--|--|
| Reset          | <ul style="list-style-type: none"> <li>- Startup</li> <li>- Any mode:<br/><math>V_{DD} &lt; V_{DDR}</math></li> <li>- Sleep 1:<br/>INX low to high</li> </ul>  | <ul style="list-style-type: none"> <li>- All INX low: sleep 1</li> <li>- <math>V_{DD} &gt; V_{DDR}</math>: fail safe</li> </ul>  | <ul style="list-style-type: none"> <li>- Outputs: according to INX</li> <li>- SPI: inactive</li> <li>- Registers: cleared</li> <li>- Diagnostics: not available</li> </ul>   |
| Fail Safe      | <ul style="list-style-type: none"> <li>- Reset or sleep 1:<br/><math>V_{DD} &gt; V_{DDR}</math></li> <li>- Standby or sleep 2:<br/>CSN low for <math>t &gt; t_{stdby\_out}</math></li> <li>- Normal:<br/>EN = 0<br/>or CSN time out<br/>or SW reset</li> </ul> | <ul style="list-style-type: none"> <li>- <math>V_{DD} &lt; V_{DDR}</math>: reset</li> <li>- SPI sequence<br/>1. UNLOCK = 1<br/>2. STBY = 0<br/>and EN = 1: normal</li> <li>- SPI sequence<br/>1. UNLOCK = 1<br/>2. STBY = 1<br/>and EN = 0: fail safe</li> </ul> | <ul style="list-style-type: none"> <li>- Outputs: according to INX</li> <li>- SPI: active</li> <li>- Registers: read/writeable,<br/>cleared if entered after HW or<br/>SW reset</li> <li>- Diagnostics: SPI possible<br/>CurrentSense not possible</li> </ul>                      |
| Normal         | <ul style="list-style-type: none"> <li>- Fail Safe:<br/>SPI sequence<br/>1. UNLOCK = 1<br/>2. STBY = 0<br/>and EN = 1</li> </ul>   | <ul style="list-style-type: none"> <li>- <math>V_{DD} &lt; V_{DDR}</math>: reset</li> <li>- SPI sequence<br/>1. UNLOCK = 1<br/>2. STBY = 1<br/>and EN = 0: standby</li> <li>- EN = 0<br/>or CSN time out<br/>or SW reset: fail safe</li> </ul>                   | <ul style="list-style-type: none"> <li>- Outputs: according to SPI<br/>register settings and INX</li> <li>- SPI: active</li> <li>- Registers: read/writeable</li> <li>- Diagnostics: SPI and<br/>CurrentSense possible</li> <li>- Regular toggling of CSN<br/>necessary</li> </ul> |
| Standby        | <ul style="list-style-type: none"> <li>- Normal: SPI sequence<br/>1. UNLOCK=1<br/>2. STBY = 1 and EN = 0</li> <li>- Fail Safe: SPI sequence<br/>1. UNLOCK=1<br/>2. STBY = 1 and EN = 0</li> <li>- Sleep 2:<br/>INX low to high</li> </ul>                      | <ul style="list-style-type: none"> <li>- <math>V_{DD} &lt; V_{DDR}</math>: reset</li> <li>- CSN low for <math>t &gt; t_{stdby\_out}</math>: fail<br/>safe</li> <li>- All INX low: sleep 2</li> </ul>   | <ul style="list-style-type: none"> <li>- Outputs: according to INX</li> <li>- SPI: inactive</li> <li>- Registers: frozen</li> <li>- Diagnostics: not available</li> <li>- Low supply current from <math>V_{DD}</math></li> </ul>   |
| Sleep 1        | <ul style="list-style-type: none"> <li>- Reset: all INX = 0</li> </ul>   | <ul style="list-style-type: none"> <li>- <math>V_{DD} &gt; V_{DDR}</math>: fail safe</li> <li>- INX low to high: reset</li> </ul>  | <ul style="list-style-type: none"> <li>- Outputs: OFF</li> <li>- SPI: inactive</li> <li>- Registers: cleared</li> <li>- Diagnostics: not available</li> <li>- Low supply current from <math>V_{DD}</math> and<br/><math>V_{CC}</math></li> </ul>                                   |

**Table 2. Operating modes (continued)**

| Operating mode       | Entering conditions            | Leaving conditions   | Characteristics   |
|----------------------|--------------------------------|--|---|
| Sleep 2              | – Standby: all INX = 0         | – $V_{DD} < V_{DDR}$ : reset<br>– CSN low for $t > t_{stdby\_out}$ : fail safe<br>– INX low to high: standby | – Outputs: OFF<br>– SPI: inactive<br>– Registers: frozen<br>– Diagnostics: not available<br>– Low supply current from $V_{DD}$ and $V_{CC}$ |
| Battery undervoltage | – Any mode: $V_{CC} < V_{USD}$ | – $V_{CC} > V_{USD}$ : back to last mode   | – Outputs: OFF<br>– SPI: active<br>– Register: read/writeable<br>– Diagnostics: SPI possible, CurrentSense not possible                     |

### 2.1.1 Reset mode

The device enters Reset mode under 3 conditions:

- Automatically during startup
- If it is in any other mode and if  $V_{DD}$  falls below  $V_{DDR}$
- If it is in Sleep mode 1 and if one input INX is set to 1

In Reset mode, the output stages are controlled by INX inputs. The SPI is inactive and all SPI registers are cleared. The reset bit inside the Global Status Byte is set to 0. The diagnostics is not available, but the protections are fully functional. In case of over temperature or power limitation, the outputs work in Autorestart.

Reset mode can be left with 2 conditions:

- If  $V_{DD}$  rises above  $V_{DDR}$ , the device enters Fail Safe mode
- If all inputs INX are 0, the device enters Sleep mode 1.

### 2.1.2 Fail Safe mode

The device enters Fail Safe mode under 5 conditions:

- If it is in Reset mode or in Sleep mode 1 and  $V_{DD}$  rises above  $V_{DDR}$
- If it is in Standby mode or in Sleep mode 2 and CSN is low for  $t > t_{stdby\_out}$
- If it is in Normal mode and bit EN is cleared
- If it is in Normal mode and CSN is not toggled within  $t_{WHCH}$  (CSN timeout)
- If it is in Normal mode and the SPI sends a SW reset (Command byte = FFh).

In Fail Safe mode, the output stages are according to the inputs INX. The SPI is active. The reset bit is 0 if the last state was Reset mode or the last command was a SW reset and it is set to 1 after the first SPI access. The SPI diagnostics is available, the CurrentSense pin is not available. The protections are fully functional. In case of over temperature or power limitation, the outputs work in Autorestart.

Fail Safe mode can be left with 2 conditions:

- If the SPI sends the goto Normal mode sequence, the device enters Normal mode:
  - In a first communication set bit UNLOCK = 1  
In the consecutive communication set bit STBY = 0 and bit EN = 1
  - This mechanism avoids entering the Normal mode unintentionally.
- If the SPI sends the goto standby mode sequence, the device enters Standby mode:
  - In a first communication set bit UNLOCK = 1  
In the consecutive communication set bit STBY = 1 and bit EN = 0
  - This mechanism avoids entering the Standby mode unintentionally.
- If  $V_{DD}$  falls below  $V_{DDR}$ , the device enters Reset mode.

### 2.1.3 Normal mode

The device enters Normal mode, if it is in Fail Safe mode and if the SPI sends the goto Normal mode sequence:

- In a first communication set bit UNLOCK = 1  
In the consecutive communication set bit STBY = 0 and bit EN = 1
- This mechanism avoids entering the Normal mode unintentionally.

In Normal mode, the output stages are controlled by the SPI and the INX settings. The SPI is active. CSN must be toggled regularly within  $t_{WHCH}$  to keep the device in Normal mode. The SPI diagnostics and the CurrentSense pin are both available. The protection are fully functional. The outputs can be set to Autorestart or Latch. In Autorestart the outputs are switched on again automatically after an over temperature or power limitation event, while in Latch the relevant status register has to be cleared to switch them on again.

Normal mode can be left with 5 conditions:

- If  $V_{DD}$  falls below  $V_{DDR}$ , the device enters Reset mode.
- If the SPI sends the goto standby sequence, the devices enters Standby mode:
  - In a first communication set UNLOCK = 1  
In the consecutive communication set STBY = 1 and EN = 0
  - This mechanism avoids entering the Standby mode unintentionally.
- If the SPI clears the EN bit (EN = 0), the devices enters Fail Safe mode
- CSN time out: If CSN is not toggled within the minimum CSN monitoring timeout period  $t_{WHCH}$ , the device enters Fail Safe mode.
- If the SPI sends a SW reset command (Command byte = FFh), all registers are cleared and the device enters Fail Safe mode.

### 2.1.4 Standby mode

The device enters Standby mode under three conditions:

- If it is in Fail Safe mode and the SPI sends the goto standby sequence:
  - In a first communication set UNLOCK = 1  
In the consecutive communication set STBY = 1 and EN = 0
  - This mechanism avoids entering the Standby mode unintentionally.
- If it is in Normal mode and the SPI sends the goto standby sequence:
  - In a first communication set UNLOCK = 1  
In the consecutive communication set STBY = 1 and EN = 0
  - This mechanism avoids entering the Standby mode unintentionally.
- If it is in Sleep mode 2 and one input INX is set to one.

The output stages are according to INX settings, the current from  $V_{DD}$  is nearly 0. The SPI is inactive and all registers are frozen to the last state. The diagnostics is not available.

Standby mode can be left with 3 conditions:

- If  $V_{DD}$  falls below  $V_{DDR}$ , the device enters Reset mode.
- If CSN is low for  $t > t_{stdby\_out}$ , the device wakes up. As EN has been set to 0, the device enters Fail Safe mode and recovers full functionality with command of the outputs and diagnostics.
- If all direct inputs INX are 0, the device enters Sleep Mode 2 resulting in minimal supply current from  $V_{CC}$  and  $V_{DD}$ .

### 2.1.5 Sleep mode 1

The device enters Sleep mode 1, if it is in Reset mode and if all inputs INX are 0.

All outputs are off, the current from  $V_{DD}$  is nearly 0, and the current from  $V_{CC}$  is reduced to  $I_{Soff}$ . The SPI is inactive and all registers are cleared. The diagnostics is not available.

Sleep mode 1 can be left with 2 conditions:

- If  $V_{DD}$  rises above  $V_{DDR}$ , the device enters Fail Safe mode.
- If one of the inputs INX is set to 1, the device enters Reset mode.

### 2.1.6 Sleep mode 2

The device enters Sleep mode 2, if it is in Standby mode and if all inputs INX are 0.

All outputs are off, the current from  $V_{DD}$  is nearly 0, and the current from  $V_{CC}$  is reduced to  $I_{Soff}$ . The SPI is inactive and all registers are frozen to the last state. The diagnostics is not available.

Sleep mode 2 can be left with 3 conditions:

- If  $V_{DD}$  falls below  $V_{DDR}$ , the device enters Reset mode.
- If CSN is low for  $t > t_{stdby\_out}$ , the device enters Fail Safe mode.
- If one of the inputs INX is set to 1, the device enters Standby mode.

### 2.1.7 Battery undervoltage mode

If the battery supply voltage  $V_{CC}$  falls below the undervoltage shutdown threshold  $V_{USD}$  while  $V_{DD}$  remains above the reset threshold  $V_{DDR}$ , the device enters Battery undervoltage



mode independent from the operation mode. In Battery undervoltage mode, the outputs are turned off. The SPI is active and the SPI register contents are retained. The SPI diagnostics is available, the CurrentSense pin is not available. The bit VCCUV in the general status register GENSTR is set. If  $V_{CC}$  rises above the threshold  $V_{USD} + V_{USDhyst}$ , the device returns to the last mode and VCCUV is cleared.

Figure 5. Battery undervoltage shutdown diagram

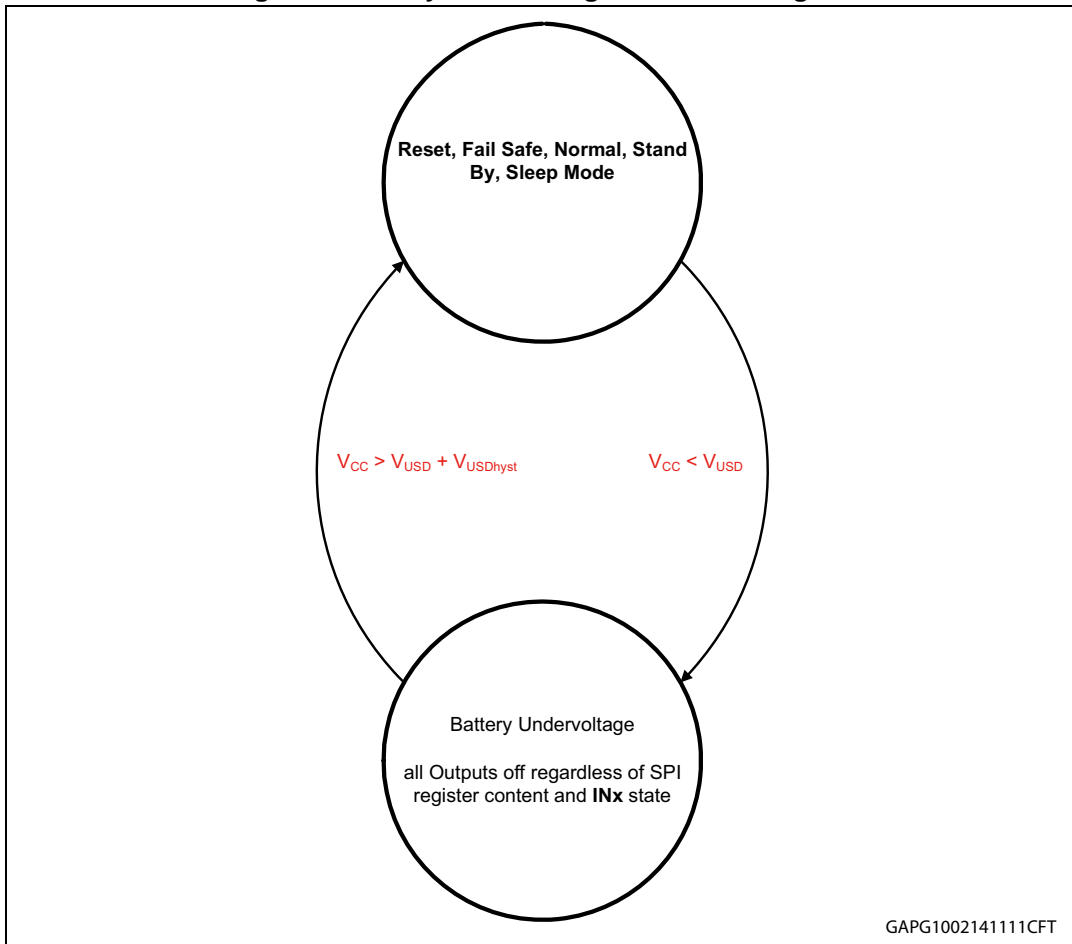
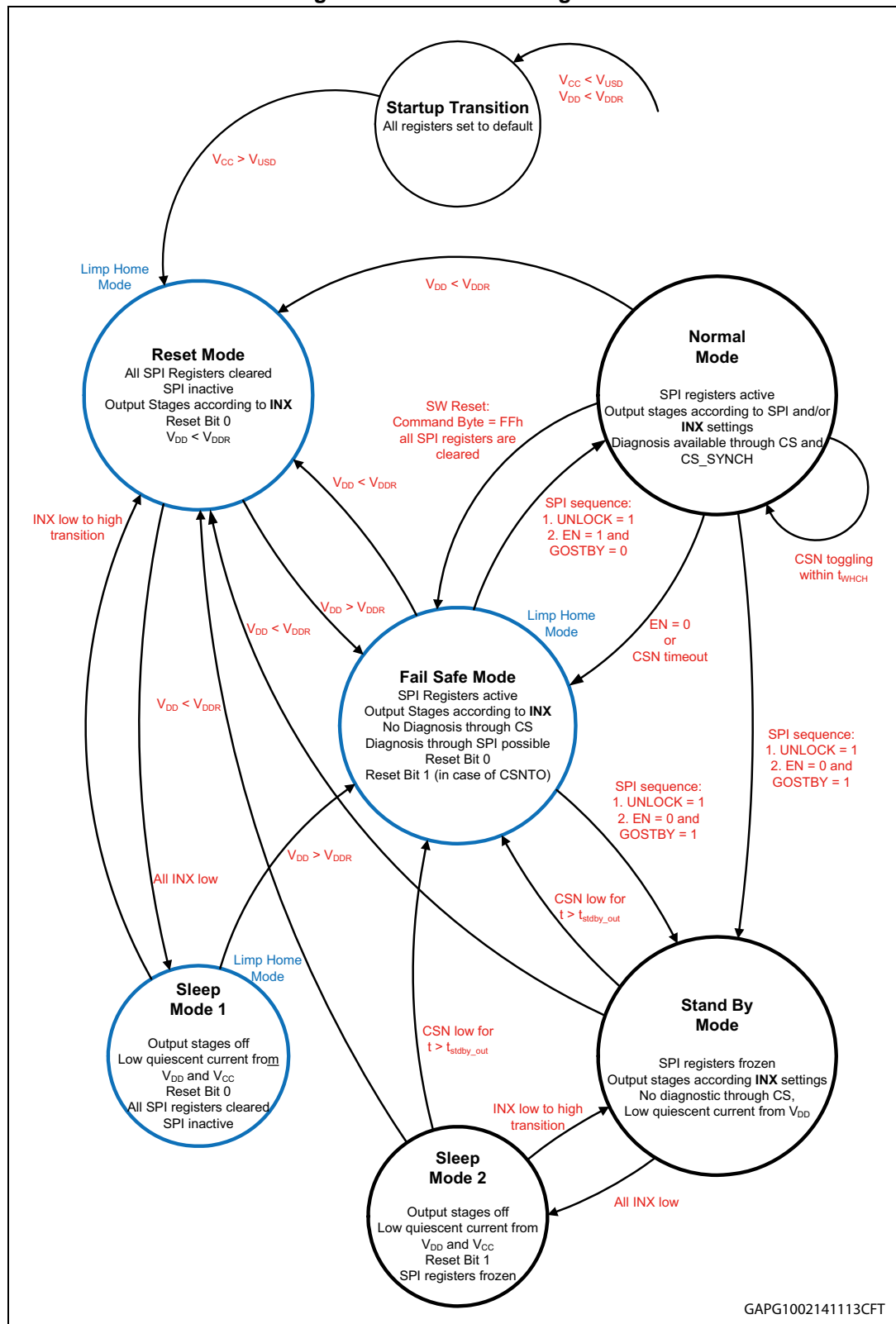


Figure 6. Device state diagram



GAPG1002141113CFT

## 2.2 Programmable functions

### 2.2.1 Outputs configuration

The status of the output drivers is configured via the SPI Output Control Register (SOCR), the Direct Input Enable Control Register (DIENCR), the PWM Mode Control Register (PWMCR) and the Channel Control Register (CCR). The DIENCR selects if the outputs OUTPUTX are controlled also by the direct inputs INX or only by the SOCR. The PWMCR selects if the outputs operates in PWM mode. Please refer to [Table 3](#) for details.

**Table 3. Output control truth table**

| DIENCRX | INX | SOCRX | PWMCRX | OUTPUTX |
|---------|-----|-------|--------|---------|
| 0       | X   | 0     | 0      | OFF     |
| 0       | X   | 0     | 1      | OFF     |
| 0       | X   | 1     | 0      | ON      |
| 0       | X   | 1     | 1      | PWM     |
| 1       | L   | 0     | 0      | OFF     |
| 1       | L   | 0     | 1      | OFF     |
| 1       | L   | 1     | 0      | ON      |
| 1       | L   | 1     | 1      | PWM     |
| 1       | H   | X     | 0      | ON      |
| 1       | H   | X     | 1      | PWM     |

The output channels 0 and 1 can be configured to operate in BULB or LED mode using the Channel Control Register (CCR). If the relevant bit in CCR is 0, the output is configured in BULB mode, if it is set to 1, the output is configured in LED mode. This configuration has an influence on the base frequency for PWM operation (see below in this chapter), on the open-load thresholds (see [Chapter 2.2.4](#)) and on the current sense ratio (see [Chapter 2.2.6](#)).

#### PWM operation

If the PWMCRX bit is set, the relevant output OUTPUTX operates in PWM mode. The duty cycle and the phase of the PWM signal are configured via the DUTYCXCR and the PHASEXCR registers, respectively.

The signal on the PWMCLK is divided internally by 512 or by 256 depending on the operating mode of the output (BULB mode or LED mode) to generate the base frequency for the output.

The duty cycle of the output signal is configured for each OUTPUTX with the DUTYCXCR register using 8 bits (MSB first). DUTYCXCR = 00h means a duty cycle of 0, consequently in this setting the output is OFF, while DUTYCXCR = FFh results in a maximum duty cycle of  $255/256 = 99.6\%$ . To switch the output permanently ON, it is necessary to select PWMCRX = 0 (see [Table 3](#)).

The phase shift of the output signal is configured for each OUTPUTX with the PHASEXCR register using 5 bits (MSB first, bit2 ... bit0 are ignored). PHASEXCR = 00h means a phase shift of 0, while PHASEXCR = F8h results in a maximum phase shift of  $31/32 = 96.9\%$ . The

phase shift is relative to the base frequency of the selected channel. Thus, the exact point in time when the channel switches on depends also on the operating mode (BULB or LED mode) of the selected channel.

Below, an example with a 30% duty cycle and a 16% phase is given:

1. 30% duty cycle results in a DUTYCXCR register content equal to 76 = 4Ch (30 % x 256 = 76).
2. 16% phase results in a PHASEXCR register content equal to 5 (16 % x 32 = 5), equivalent to a content of 40 = 28 h for a 8 bit register.

**Table 4. Example of DUTYCXCR register**

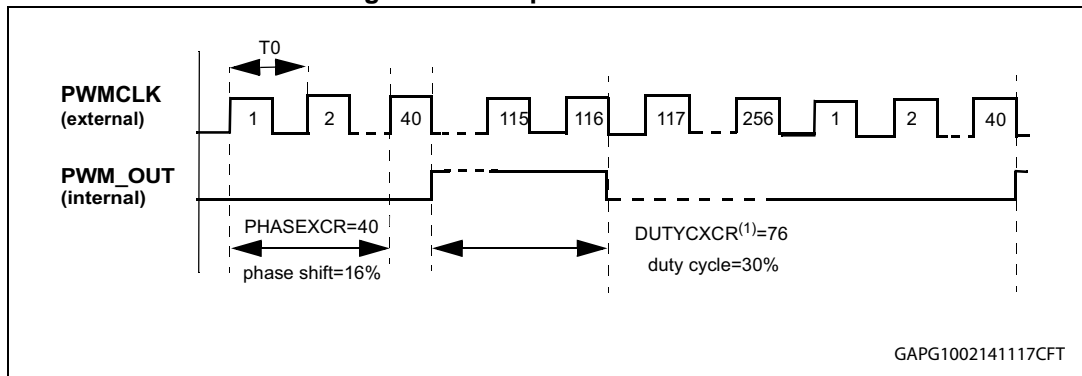
| bit 7 | bit 6 | bit 5 | bit 4 | bit 3 | bit 2 | bit 1 | bit 0 |
|-------|-------|-------|-------|-------|-------|-------|-------|
| 0     | 1     | 0     | 0     | 1     | 1     | 0     | 0     |

**Table 5. Example of PHASEXCR register**

| bit 7 | bit 6 | bit 5 | bit 4 | bit 3 | bit 2 | bit 1 | bit 0 |
|-------|-------|-------|-------|-------|-------|-------|-------|
| 0     | 0     | 1     | 0     | 1     | X     | X     | X     |

Resulting waveforms can be seen in [Figure 7](#).

**Figure 7. Example of PWM mode**



- Note:
- 1 If the frequency on PWMCLK is too low ( $f < f_{pwm}$ ), the device falls back to an internally generated PWM frequency of about 160 Hz in BULB mode and 240 Hz in LED mode. In this case the PWMLOW bit in the General Status Register (GENSTR) and the global error flag are set.
  - 2 The application should ensure that the duty cycle is not chosen too low. For very low duty cycle there are two restrictions: Due to the slew-rate control of the outputs, the outputs do not switch on and off immediately. Therefore, for low duty cycles, the output pulses are no longer rectangular but change to triangular form, resulting in a non-linear duty cycle - power relationship. Moreover, if the output is switched off while the voltage drop on the PowerMOS  $V_{DS}$  is still above  $V_{DSmax}$ , this causes a false over load detection (see also [Chapter 2.2.3](#)).

## 2.2.2 Case over temperature

If the case temperature rises above the case thermal detection pre-warning threshold  $T_{CSD}$ , the bit  $T_{FRAME}$  in the Global Status Byte is set.  $T_{FRAME}$  is cleared automatically when the

case temperature drops below the case temperature reset threshold  $T_{CR}$ . The typical value of  $T_{CSD}$  can be set using the bits CTDTH1 and CTDTH0 inside the CTLR register (see [Chapter 3.3.1](#)).

## 2.2.3 Protections

### Junction over temperature

If the junction temperature of one channel rises above the shutdown temperature  $T_{TSD}$ , an over temperature event (OT) is detected. The channel is switched OFF and the corresponding bit in the over temperature status register OTFLTR (address 30h) is set. Consequently, the thermal shutdown bit (bit 4) in the Global Status Byte and the Global Error Flag are set.

Each output channel can be either set in Autorestart or Latched OFF operation in case of junction over temperature event by setting the corresponding ASDTCR register bit (address 08h).

In Autorestart operation, the output is switched off as described and switches on again automatically when the junction temperature falls below the reset temperature  $T_R$ . The status bit is latched during OFF-state of the channel in order to allow asynchronous diagnostic and it is automatically cleared when the junction temperature falls below the thermal reset temperature of OT detection  $T_{RS}$ .

In Latched OFF operation, the output remains switched OFF until the junction temperature falls below  $T_{RS}$  and a read and clear command is sent.

### Power limitation

If the difference between junction temperature and case temperature ( $\Delta T = T_j - T_c$ ) rises above the power limitation threshold  $\Delta T_{PLIM}$ , a power limitation event is detected. The corresponding bit in the power limitation status register PWLMFLTR (address 33h) is set and the channel is switched OFF. Consequently, the power limitation bit (bit 4) in the Global Status Byte and the Global Error Flag are set.

Each output channel can be either set in Autorestart or Latched OFF operation in case of power limitation event by setting the corresponding ASDTCR register bit (address 08h).

In Autorestart operation, the output is switched off as described and switches on again automatically when  $\Delta T$  falls below the reset threshold  $\Delta T_{PLIMreset}$ . The status bit is latched during OFF-state of the channel in order to allow asynchronous diagnostic and it is automatically cleared in ON-state when the power limitation event is removed.

In Latched OFF operation, the output remains switched OFF until  $\Delta T$  falls below the reset threshold  $\Delta T_{PLIMreset}$  and a read and clear command is sent.

Each time a channel is switched on via the corresponding bit in SOCR, power limitation events and the relevant diagnostic indication in the PWLMFLTR register are masked for a blanking time  $t_{blanking}$ . The blanking time does not account for an overtemperature event, i.e. the outputs are switched OFF and the relevant bits in OTFLTR are set even during the blanking time, or for an over load event.

The blanking filter is only active, if the channel is turned on through SOCR. There are, however, additional conditions which cause the output to switch from OFF to steady ON-state or to PWM output which do not activate the blanking filter. Refer to [Table 6](#) for more details.

**Table 6. Activation of blanking filter in case of power limitation**

| Action  | Output state  | Blanking filter |
|---|---|-----------------|
| SOCR = 0 to 1   | Switches from off to steady state or PWM according to PWMCR | Active          |
| SOCR = 0<br>DIEN = 1<br>INX = 0 to 1                              | Switches from off to steady state or PWM according to PWMCR | Not active      |
| SOCR = 1, DIEN = 0<br>PWMCR = 1<br>DUTYCRX = 00h to nonzero value | Switches from off to PWM                                    | Not active      |
| SOCR = 1, DIEN = 0<br>PWMCR = 1 to 0<br>DUTYCRX = 00h             | Switches from off to steady state                           | Not active      |

**Over load**

During low duty cycle PWM operation on a shorted load, ON-time may be too short to allow power limitation or over temperature detection. Current sense output is 0. This would make detection of this over load condition impossible. To overcome this, always when an output channel is turned OFF, the voltage drop on the PowerMOS ( $V_{DS}$ ) is measured. If  $V_{DS}$  exceeds the threshold  $V_{OVL}$ , an over load condition is detected. The corresponding bit in the over load status register OVLFLTR (address 34H) is set. Consequently, the over load bit (bit 4) in the Global Status Byte and the Global Error Flag are set.

The OVLFLTR is a warning and the channel can be switched on again even if the OVLFLTRX bit is set. The OVLFLTRX bit remains unchanged until a read and clear command on OVLFLTR is sent by the SPI or until the output is turned off the next time, when  $V_{DS}$  is evaluated again.

If the output channel is switched ON for a very short time,  $V_{DS}$  might be greater than  $V_{OVL}$  even if the output is not in over load state so that a false warning is issued. Please refer to [Table 37](#) for more details.

**2.2.4 Open-load ON-state detection**

If the current through the output during the ON-state falls below the open-load ON-state detection thresholds, an open-load condition is detected for the relevant channel. The corresponding bit in the open-load ON-state status register (OLFLTR) is set. At the same time, the open-load at ON-state bit (bit 2) in the Global Status Byte and the Global Error Flag are set.

Two different open-load ON-state detection thresholds (see [Table 7](#)) can be set for each channel by writing into OLONCR register (address 06H). For channel related information, bit0 corresponds to channel0, bit1 to channel1, bit2 to channel2, bit3 to channel3.

Table 7. Nominal open-load thresholds

| Channel    | OLONCRX | I <sub>OLnom</sub><br>BULB mode | I <sub>OLnom</sub><br>LED mode |
|------------|---------|---------------------------------|--------------------------------|
| 0, 1, 2, 3 | 0       | 40 mA                           | 10 mA                          |
|            | 1       | 300 mA                          | 100 mA                         |

### 2.2.5 Open-load OFF-state detection

If the output voltage  $V_{OUT}$  in OFF-state of the output is greater than the open-load detection threshold voltage  $V_{OL}$ , an open-load OFF-state / Stuck to  $V_{CC}$  event is detected (see [Figure 8](#)). The corresponding bit in the Open-load OFF-state / Stuck to  $V_{CC}$  status register STKFLTR (Address 32h) is set. Consequently, the OLOFF bit (bit 1) in the Global Status Register and the Global Error Flag are set. To avoid false detection, the diagnosis starts after turn-off of a channel with an additional delay  $t_{DOLOFF}$ .

To distinguish between an open-load OFF-state event and a short to  $V_{CC}$  condition, an internal pull-up current generator can be enabled for each channel by setting the corresponding bit in the open-load OFF-state control register (OLOFFCR, address 07h), see [Table 8](#).

The activated pull-up current generators are active in Normal Mode, in Fail Safe Mode and in Standby Mode. In Sleep Mode 2, the current generators are switched off. The register contents, however, are saved also in Sleep Mode 2, consequently the current generators are reactivated after a return to Standby or a wakeup to Fail Safe Mode. A hardware reset ( $V_{DD} < V_{DDR}$ ) or a software reset (Command byte = FFh) clears all register contents and hence the current generators are switched off.

Figure 8. Open-load OFF-state detection

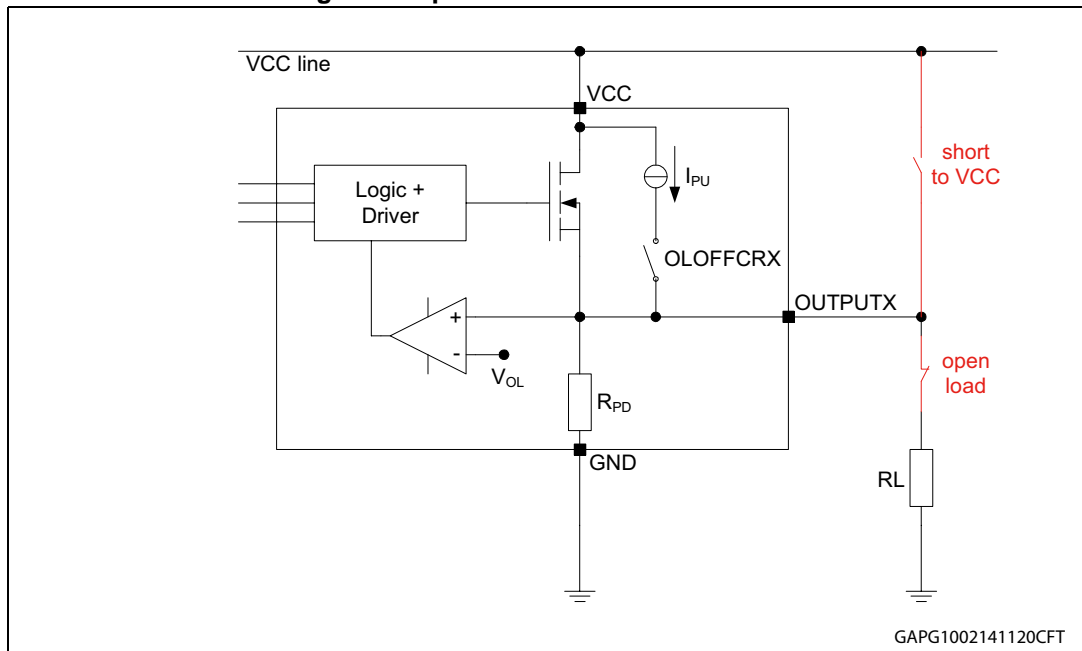


Table 8. STKFLTR state

|   | With internal pull-up generator | Without internal pull-up generator |
|---|---------------------------------|------------------------------------|
| Case 1: load connected                    | "0" / no fault                  | "0" / no fault                     |
| Case 2: no load                           | "1" / fault                     | "0" / no fault                     |
| Case 3: output shorted to V <sub>CC</sub> | "1" / fault                     | "1" / fault                        |

### 2.2.6 Current sense

Each channel integrates an analog current sense function which can be connected to the current sense pin by setting the CURSEN bit (bit 3) in the CTLR register (address 00H) and by setting the corresponding channel in the CSMUXCR register (address 03H).

The ratio between output current and sense current can be also selected by writing into the CSRATCR register (address 04H).

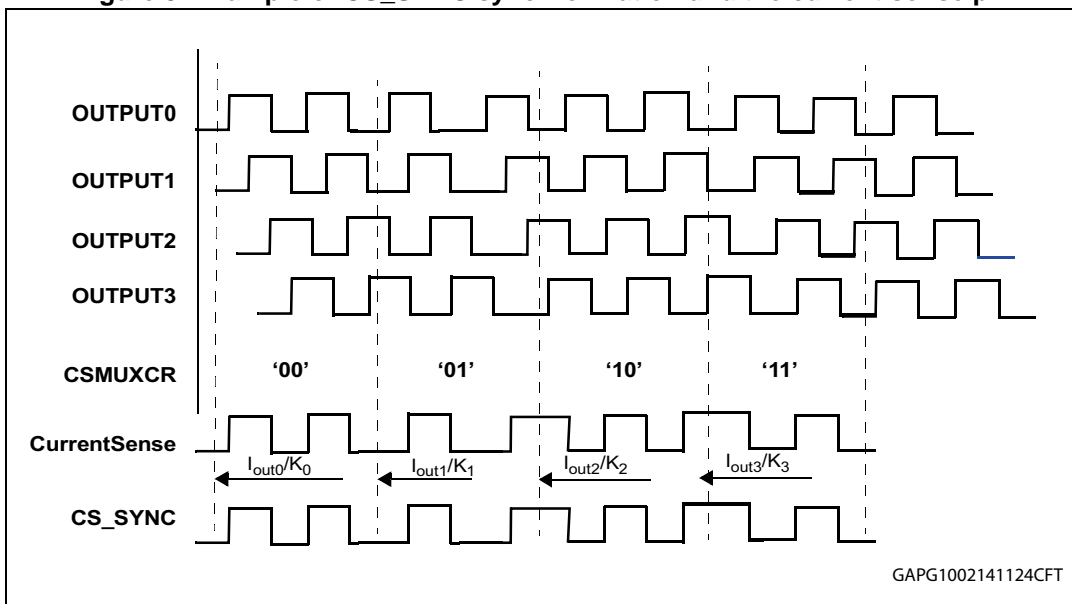
The current sense ratio is as shown in [Table 9](#).

Table 9. Current sense ratio

| Channel    | CSRATCRX | Current sense ratio K (typical) BULB mode | Current sense ratio K (typical) LED mode |
|------------|----------|---|--|
| 0, 1, 2, 3 | 0        | 1300                                      | 430                                      |
|            | 1        | 3800                                      | 1290                                     |

The output CS\_SYNC provides a synchronization signal for the current sense pin. It is "1" if the corresponding output is ON, and "0" if the output is OFF. If no output is selected (CURSEN = 0), CS\_SYNC is in high impedance state. Please refer also to [Figure 9](#).

Figure 9. Example of CS\_SYNC synchronization and the current sense pin



GAPG1002141124CFT



## 2.3 Test mode (reserved)

The Digital core and most of the advanced functionalities integrated in the VNQ6040S-E are tested by setting the device in a special Test Mode. In this state, the CSN monitoring timeout control is disabled and the functionality of the other SPI pins (SDI and SDO) might be different from the standardized communication protocol, whilst other pins might be configured as diagnostic I/O's.

Test Mode is intended only for the ST serial production testing flow.

Accessing Test Mode in the application might lead the device to operate in uncontrolled conditions.

Entering Test Mode is prevented by operating the device within its Absolute Maximum Ratings.

### 3 SPI functional description

#### 3.1 SPI communication

The SPI communication is based on a standard ST-SPI 16-bit interface, using CSN, SDI, SDO and SCK signal lines.

Input data are shifted into SDI, MSB first while Output data are shifted out on SDO, MSB first.

##### 3.1.1 Signal description

During all operations,  $V_{DD}$  must be held stable and within the specified valid range:  $V_{DD}$  min. to  $V_{DD}$  max.

**Table 10. SPI signal description**

| Name                      | Function  |
|---------------------------|---|
| Serial clock<br>SCK       | This input signal provides the timing of the serial interface. Data present at Serial Data Input (SDI) are latched on the rising edge of Serial Clock (SCK). Data on Serial Data Output (SDO) change after the falling edge of Serial Clock (SCK).  |
| Serial data input<br>SDI  | This input signal is used to transfer data serially into the device. It receives data to be written. Values are sampled on the rising edge of Serial Clock (SCK).   |
| Serial data output<br>SDO | This output signal is used to transfer data serially out of the device. Data are shifted out on the falling edge of Serial Clock (SCK).   |
| Chip select<br>CSN        | When this input signal is High, the device is deselected and Serial Data Output (SDO) is high impedance. Driving this input Low enables the communication. The communication must start on a Low level of Serial Clock (SCK). Data are accepted only if exactly 16 bits have been shifted in.<br>This signal is used as CSN monitoring input and must be toggled within CSN monitoring timeout period to stay in Normal mode. Otherwise the device enters Fail Safe mode. SPI registers contents are unchanged. |

##### 3.1.2 Connecting to the SPI bus

A schematic view of the architecture between the bus and devices can be seen in [Figure 10](#).

All input data bytes are shifted into the device, MSB first. The Serial Data Input (SDI) is sampled on the first rising edge of the Serial Clock (SCK) after Chip Select (CSN) goes low.

All output data bytes are shifted out of the device on the falling edge of SCK, MSB first on the first falling edge of the Chip Select (CSN).

##### 3.1.3 SPI mode

Supported SPI mode during a communication phase can be seen in [Figure 11](#).

This device can be driven by a micro controller with its SPI peripheral running in the following mode:

- CPOL=0, CPHA=0

Figure 10. Bus master and two devices in a normal configuration

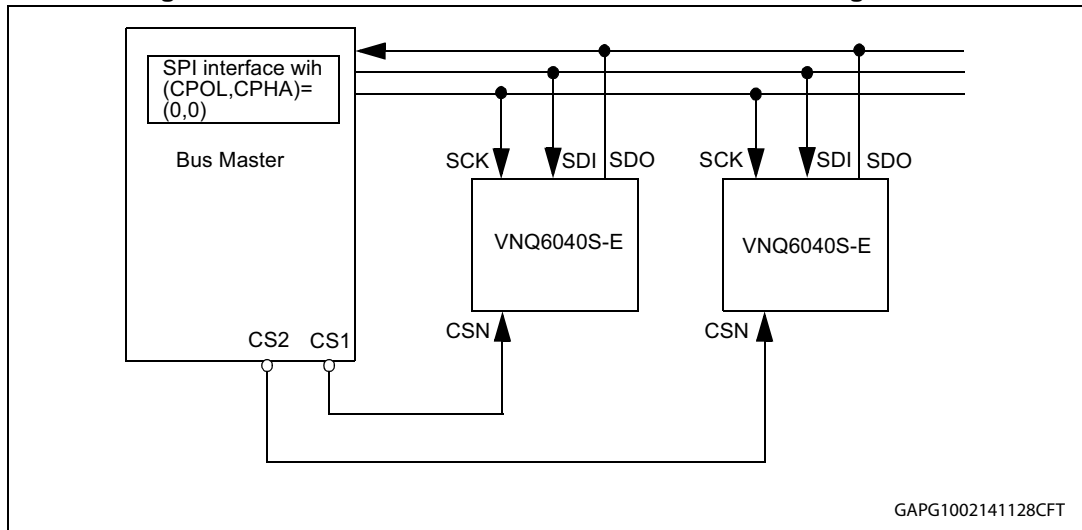
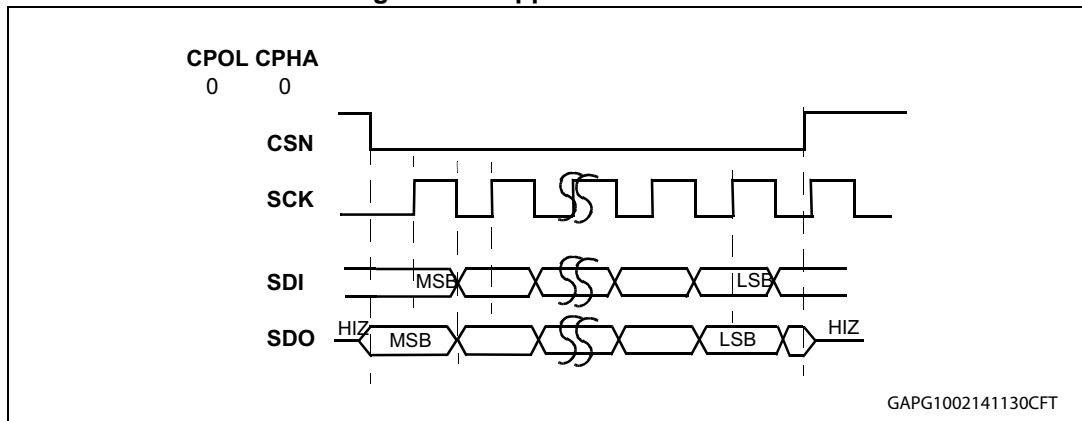


Figure 11. Supported SPI mode



### 3.2 SPI protocol

#### 3.2.1 SDI, SDO format

SDI format during each communication frame starts with a command byte. It begins with two bits of operating code (OC0, OC1) which specify the type of operation (read, write, read and clear status, read device information) and is followed by a 6 bit address (A0:A5). The command byte is followed by an input data byte (D0:D7).

Table 11. Command byte

| MSB |     |    |    |    |    |    | LSB |
|-----|-----|----|----|----|----|----|-----|
| OC1 | OC0 | A5 | A4 | A3 | A2 | A1 | A0  |

**Table 12. Input data byte**

| MSB |    |    |    |    |    |    | LSB |
|-----|----|----|----|----|----|----|-----|
| D7  | D6 | D5 | D4 | D3 | D2 | D1 | D0  |

SDO format during each communication frame starts with a specific byte called Global Status Byte (see [Section 3.2.2: Global status byte description](#) for more details of bit0-bit7). This byte is followed by an output data byte (D0:D7).

**Table 13. Global status byte**

| MSB  |      |      |      |      |      |      | LSB  |
|------|------|------|------|------|------|------|------|
| bit7 | bit6 | bit5 | bit4 | bit3 | bit2 | bit1 | bit0 |

**Table 14. Output data byte**

| MSB |    |    |    |    |    |    | LSB |
|-----|----|----|----|----|----|----|-----|
| D7  | D6 | D5 | D4 | D3 | D2 | D1 | D0  |

### 3.2.2 Global status byte description

The data shifted out on SDO during each communication starts with a specific byte called Global Status Byte. This one is used to inform the microcontroller about global faults which can be happened on the channel part (like thermal shutdown, OLon,...) or on the SPI interface (like CSN monitoring timeout event, communication error,...). This specific register has the following format.

**Table 15. Global status byte**

| Bit     | Name                | Reset | Content  |
|---------|---------------------|-------|--|
| 7 (MSB) | Global error flag   | 1     | Active high: this bit is set in case of any fault on any channel or CSNTO, a communication error, a chip reset, a V <sub>CC</sub> undervoltage or a too low PWM clock frequency.<br>This bit is also accessible while CSN is held low and SCK is stable (high or low). This operation does not set the communication error bit.  |
| 6       | Communication error | 0     | Active high: this bit is set at the end of the communication in case of wrong number of clock cycles during a communication frame or invalid bus condition (SPI mode not equal to CPOL = 0, CPHA = 0).<br>A clock monitor counts the number of clock pulses during a communication frame (while CSN is low). If the number of pulses does not correspond with the frame width indicated in the 'SPI-frame_ID' (address 3Eh), the frame is ignored and the communication error bit is set. The communication error bit can be read in the frame which follows the erroneous one and is automatically cleared once a frame with valid number of clock pulses is transferred. |

Table 15. Global status byte (continued)

| Bit     | Name  | Reset | Content  |
|---------|---|-------|--|
| 5       | Not (ChipReset or ComError)   | 0     | Active low: this bit is low in case of chip reset (hardware reset due to a loss of $V_{DD}$ supply or software reset) or a communication error (wrong number of clock pulses during a communication frame). The bit is reset when the next valid communication frame is transferred. |
| 4       | Thermal shutdown (OT) or Power limitation (PWLM) or Over load (OVL) | 0     | Active high: this bit is set in case of thermal shutdown or power limitation or in case of high $V_{DS}$ (OVL) at turn-off detected on any channel. The bit reflects the corresponding faulty channel bits in OTFLTR, PWLMFLTR and OVLFLTR registers.                                |
| 3       | $T_{Frame}$   | 0     | Active high: this bit is set if the case temperature is greater than $T_{CSD}$ and can be used as a temperature prewarning. The bit is cleared automatically when the case temperature drops below the case temperature reset threshold ( $T_{CR}$ ).                                |
| 2       | Open-load at ON-state (OLON)  | 0     | Active high: this bit is set in case of open-load ON-state detected on any channel. This bit reflects the corresponding faulty channel bit in the OLFLTR register  |
| 1       | Open-load at OFF-state or output shorted to $V_{CC}$ (OLOFF)        | 0     | Active high: this bit is set in case of open-load OFF-state or output shorted to $V_{CC}$ condition detected on any channel. This bit reflects the corresponding faulty channel bit in the STKFLTR register.   |
| 0 (LSB) | FailSafe  | 1     | Active high: This bit is set in case of failsafe mode.   |

*Note:* The FFh or 00h combinations for the Global Status Byte are not possible due to the active low of chip reset bit (bit 5) and the exclusive combination between bit 5 and 6. Consequently a FFh or 00h combination for the Global Status Byte must be detected by the microcontroller as a failure (SDO stuck to GND or to  $V_{DD}$  or loss of SCK).

### 3.2.3 Operating code definition

The SPI interface features four different addressing modes which are listed in [Table 16](#).

Table 16. Operating codes

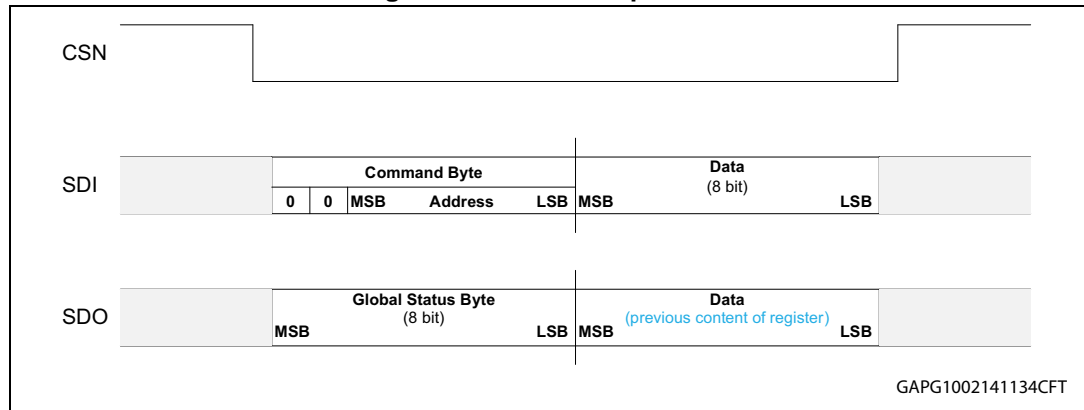
| OC1 | OC0 | Meaning                         |
|-----|-----|---------------------------------|
| 0   | 0   | Write operation                 |
| 0   | 1   | Read operation                  |
| 1   | 0   | Read and clear status operation |
| 1   | 1   | Read device information         |

**Write mode**

The write mode of the device allows to write the content of the input data byte into the addressed register (see list of registers in [Table 17](#)). Incoming data are sampled on the rising edge of the serial clock (SCK), MSB first.

During the same sequence outgoing data are shifted out MSB first on the falling edge of the CSN pin and subsequent bits on the falling edge of the serial clock (SCK). The first byte corresponds to the Global Status Byte and the second to the previous content of the addressed register.

**Figure 12. SPI write operation**



**Read mode**

The read mode of the device allows to read and to check the state of any register.

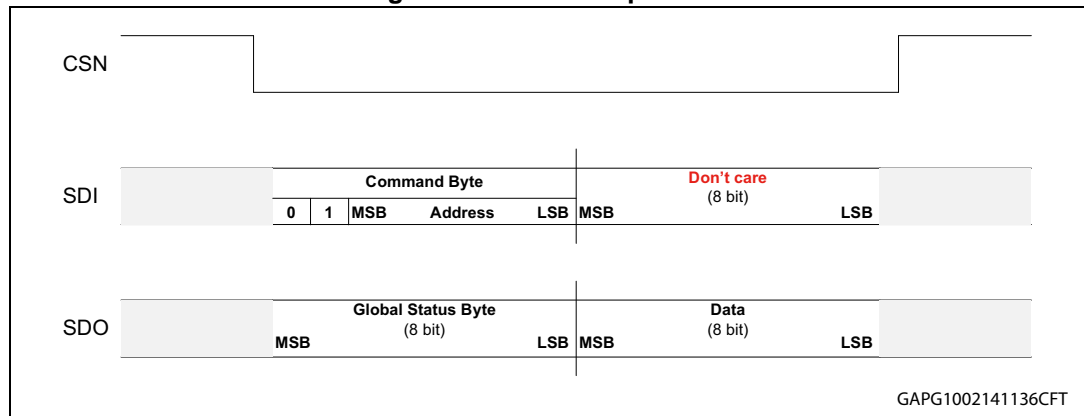
Incoming data are sampled on the rising edge of the serial clock (SCK), MSB first.

Outgoing data are shifted out MSB first on the falling edge of the CSN pin and others on the falling edge of the serial clock (SCK). The first byte corresponds to the Global Status Byte and the second to the content of the addressed register.

In case of a read mode on an unused address, the 'global status/error' byte on the SDO pin is following by 00H byte.

In order to avoid inconsistency between the Global status byte and the status register, the status register contents are frozen during SPI communication.

**Figure 13. SPI read operation**



### Read and clear status command

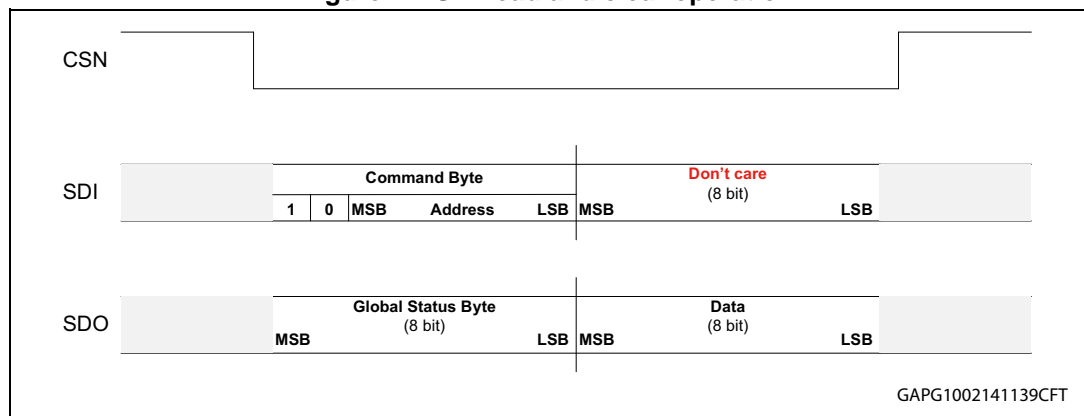
The read and clear status operation is used to clear the content of the addressed status register (see [Table 17](#)). A read and clear status operation with address 3Fh clears all status registers simultaneously and reads back the Configuration register (GLOBCTR).

Incoming data are sampled on the rising edge of the serial clock (SCK), MSB first. The command byte allows to determine which register content is read then erased while the data byte is 'don't care'.

Outgoing data are shifted out MSB first on the falling edge of the CSN pin and others on the falling edge of the serial clock (SCK). The first byte corresponds to the Global Status byte and the second to the content of the addressed register.

In order to avoid inconsistency between the Global status byte and the status register, the status register contents are frozen during SPI communication.

**Figure 14. SPI read and clear operation**



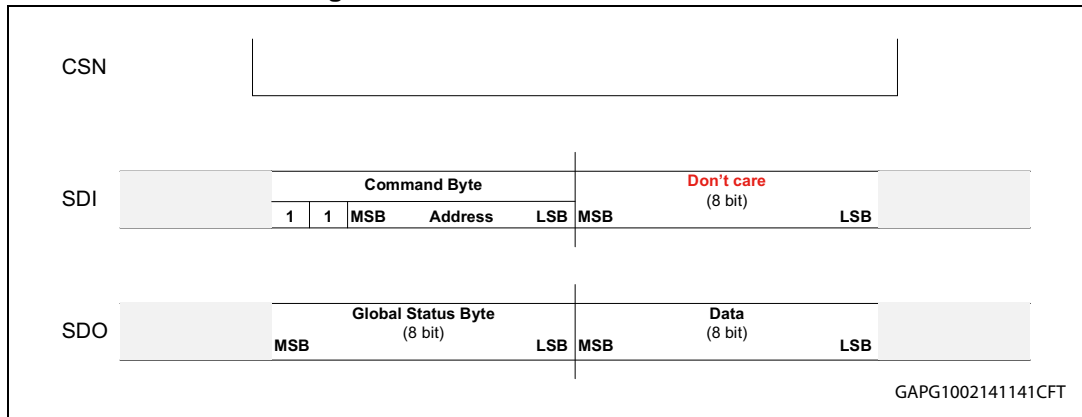
### Read device information

Specific informations can be read but not modified during this mode. Accessible data can be seen in [Table 18](#).

Incoming data are sampled on the rising edge of the serial clock (SCK), MSB first. The command byte allows to determine which information is read while the data byte is 'don't care'.

Outgoing data are shifted out MSB first on the falling edge of the CSN pin and others on the falling edge of the serial clock (SCK). The first byte corresponds to the Global Status byte and the second to the content of the addressed register.

Figure 15. SPI read device information



### 3.3 Address mapping

Table 17. RAM memory map

| Address                  | Name     | Access     | Content                                    |
|--------------------------|----------|------------|--|
| <b>Control registers</b> |          |            |  |
| 00h                      | CTRL     | Read/write | Device enable, standby, current sense      |
| 01h                      | SOCR     | Read/write | SPI Output Control Register                |
| 02h                      | DIENCR   | Read/write | Direct Input Enable Control Register       |
| 03h                      | CSMUXCR  | Read/write | Current Sense Multiplexer Control Register |
| 04h                      | CSRATCR  | Read/write | Current Sense Ratio Control Register       |
| 05h                      | PWMCR    | Read/write | PWM Mode Control Register                  |
| 06h                      | OLONCR   | Read/write | Open-load ON-state Control Register        |
| 07h                      | OLOFFCR  | Read/write | Open-load OFF-state Control Register       |
| 08h                      | ASDTCR   | Read/write | Automatic Shutdown Control Register        |
| 09h                      | CCR      | Read/write | Channel Control Register                   |
| 0Ah-0Fh                  |          |            | not used                                   |
| 10h                      | DUTYC0CR | Read/write | Duty Cycle Control Register 0              |
| 11h                      | DUTYC1CR | Read/write | Duty Cycle Control Register 2              |
| 12h                      | DUTYC2CR | Read/write | Duty Cycle Control Register 2              |
| 13h                      | DUTYC3CR | Read/write | Duty Cycle Control Register 3              |
| 14h-17h                  |          |            | not used                                   |
| 18h                      | PHASE0CR | Read/write | Phase Control Register 0                   |
| 19h                      | PHASE1CR | Read/write | Phase Control Register 1                   |
| 1Ah                      | PHASE2CR | Read/write | Phase Control Register 2                   |
| 1Bh                      | PHASE3CR | Read/write | Phase Control Register 3                   |
| 1Ch-2Dh                  |          |            | not used                                   |



Table 17. RAM memory map (continued)

| Address                 | Name     | Access     | Content  |
|-------------------------|----------|------------|--|
| <b>Status registers</b> |          |            |  |
| 2Eh                     | CHDRVR   | Read only  | Channel Read Back Status Register                |
| 2Fh                     | GENSTR   | Read only  | General Status Register                          |
| 30h                     | OTFLTR   | Read/clear | Over Temperature Status Register                 |
| 31h                     | OLFLTR   | Read/clear | Open-load ON-state Status Register               |
| 32h                     | STKFLTR  | Read/clear | Open-load OFF-state/Stuck to Vcc Status Register |
| 33h                     | PWLMFLTR | Read/clear | Power Limitation Status Register                 |
| 34h                     | OVLFLTR  | Read/clear | Over load Status Register                        |
| 35h-3Dh                 |          |            | not used   |
| <b>Other registers</b>  |          |            |  |
| 3Eh                     | TEST     | Read/write | Test Register (reserved)                         |
| 3Fh                     | GLOBCTR  | Read/write | Configuration Register                           |

- Note: 1 Any command (write, read or read and clear status) executed on a “not used” RAM register, i.e. a not assigned address, does not have any effect:  
 There is no change in the Global Status byte (no communication error, no error flag).  
 The data written to this address (2nd byte of SDI is ignored).  
 The data read from this address (2nd byte of SDO) contains 00, independent of what has been written previously to this address.
- 2 A write command on don't care bits of an assigned RAM register address does not have any effect:  
 There is no change on the Global Status byte.  
 The data written to the “don't care bits” is ignored.  
 The content of the “don't care bits” remains at “0” independent of the data written to these bits.

Table 18. ROM memory map

| Address | Name           | Access    | Content |
|---------|----------------|-----------|---------|
| 00h     | ID Header      | Read only | 82h     |
| 01h     | Version        | Read only | 02h     |
| 02h     | Product Code 1 | Read only | 1ah     |
| 03h     | Product Code 2 | Read only | 00h     |
| 3Eh     | SPI-Frame ID   | Read only | 01h     |

**3.3.1 Address 00h - Control Register (CTLR)**

**Table 19. Control register**

| Bit    | Name   | Access                | Reset | Content   |  |        |        |                       |   |   |        |   |   |        |   |   |
|--------|--------|-----------------------|-------|---|--|--------|--------|-----------------------|---|---|--------|---|---|--------|---|---|
| 7      |        |                       | 0     | Reserved (not used): read as 0 and write to 0   |  |        |        |                       |   |   |        |   |   |        |   |   |
| 6      |        |                       | 0     | Reserved (not used): read as 0 and write to 0   |  |        |        |                       |   |   |        |   |   |        |   |   |
| 5      | STBY   | R/W                   | 0     | Enter Standby mode<br>1: Enter Standby mode<br>It is necessary to do 2 write accesses to enter standby:<br>1. Write UNLOCK = 1<br>2. Write STBY = 1 and EN = 0                        |  |        |        |                       |   |   |        |   |   |        |   |   |
| 4      | UNLOCK | R/W                   | 0     | Unlock bit, has to be set before STBY or EN can be set to 1   |  |        |        |                       |   |   |        |   |   |        |   |   |
| 3      | CURSEN | R/W                   | 0     | Current sense enable<br>1: Current sense reading enabled<br>0: Current sense reading disabled   |  |        |        |                       |   |   |        |   |   |        |   |   |
| 2      | CTDTH1 | R/W                   | 0     | Case thermal detection threshold<br>These bits allow to configure the case thermal detection of the device. Three temperature thresholds are available by programming these two bits. |  |        |        |                       |   |   |        |   |   |        |   |   |
| 1      | CTDTH0 | R/W                   | 0     |   | <table border="1"> <thead> <tr> <th>CTDTH1</th> <th>CTDTH0</th> <th>Detection temperature</th> </tr> </thead> <tbody> <tr> <td>0</td> <td>0</td> <td>120 °C</td> </tr> <tr> <td>0</td> <td>1</td> <td>130 °C</td> </tr> <tr> <td>1</td> <td>X</td> <td>140 °C</td> </tr> </tbody> </table> | CTDTH1 | CTDTH0 | Detection temperature | 0 | 0 | 120 °C | 0 | 1 | 130 °C | 1 | X |
| CTDTH1 | CTDTH0 | Detection temperature |       |   |  |        |        |                       |   |   |        |   |   |        |   |   |
| 0      | 0      | 120 °C                |       |   |  |        |        |                       |   |   |        |   |   |        |   |   |
| 0      | 1      | 130 °C                |       |   |  |        |        |                       |   |   |        |   |   |        |   |   |
| 1      | X      | 140 °C                |       |   |  |        |        |                       |   |   |        |   |   |        |   |   |
| 0      | EN     | R/W                   | 0     | Enter Normal mode<br>1: Normal mode<br>0: Fail Safe mode<br>It is necessary to do 2 write accesses to enter Normal mode:<br>1. Write UNLOCK = 1<br>2. Write EN = 1                    |  |        |        |                       |   |   |        |   |   |        |   |   |

**3.3.2 Address 01h - SPI Output Control Register (SOCR)**

**Table 20. SPI output control register**

| Bit | Name | Access | Reset | Content  |
|-----|------|--------|-------|--|
| 7   |      |        | 0     | Reserved (they have to be written to "0" and are read "0") |
| 6   |      |        | 0     |  |
| 5   |      |        | 0     |  |
| 4   |      |        | 0     |  |

**Table 20. SPI output control register**

| Bit | Name  | Access | Reset | Content   |
|-----|-------|--------|-------|---|
| 3   | SOCR3 | R/W    | 0     | The SOCR register controls the output drivers. The four bits correspond to the four output channels.<br>1: the corresponding output is enabled<br>0: the corresponding output is disabled |
| 2   | SOCR2 | R/W    | 0     |   |
| 1   | SOCR1 | R/W    | 0     |   |
| 0   | SOCR0 | R/W    | 0     |   |

**3.3.3 Address 02h - Direct Input Enable Control Register (DIENCR)**

**Table 21. Direct enable control register**

| Bit | Name    | Access | Reset | Content   |
|-----|---------|--------|-------|---|
| 7   |         |        | 0     | Reserved (they have to be written to "0" and are read "0")  |
| 6   |         |        | 0     |   |
| 5   |         |        | 0     |   |
| 4   |         |        | 0     |   |
| 3   | DIENCR3 | R/W    | 0     | The DIENCR enables the control of the corresponding output channel by the direct input.<br>1: parallel input INX controls OUTPUTX<br>0: function disabled |
| 2   | DIENCR2 | R/W    | 0     |   |
| 1   | DIENCR1 | R/W    | 0     |   |
| 0   | DIENCR0 | R/W    | 0     |   |

**3.3.4 Address 03h - Current Sense Multiplexer Control Register (CSMUXCR)**

**Table 22. Current sense multiplexer control register**

| Bit | Name | Access | Reset | Content  |
|-----|------|--------|-------|--|
| 7   |      |        | 0     | Reserved (they have to be written to "0" and are read "0") |
| 6   |      |        | 0     |  |
| 5   |      |        | 0     |  |
| 4   |      |        | 0     |  |
| 3   |      |        | 0     |  |
| 2   |      |        | 0     |  |

**Table 22. Current sense multiplexer control register (continued)**

| Bit      | Name     | Access           | Reset | Content   |  |          |          |                  |   |   |         |   |   |         |   |   |         |   |   |         |
|----------|----------|------------------|-------|---|--|----------|----------|------------------|---|---|---------|---|---|---------|---|---|---------|---|---|---------|
| 1        | CSMUXCR1 | R/W              | 0     | The CSMUXCR selects which output channel is connected to the current sense pin. |  |          |          |                  |   |   |         |   |   |         |   |   |         |   |   |         |
| 0        | CSMUXCR0 | R/W              | 0     |   |  |          |          |                  |   |   |         |   |   |         |   |   |         |   |   |         |
|          |          |                  |       |   | <table border="1"> <thead> <tr> <th>CSMUXCR1</th> <th>CSMUXCR0</th> <th>Selected channel</th> </tr> </thead> <tbody> <tr> <td>0</td> <td>0</td> <td>OUTPUT0</td> </tr> <tr> <td>0</td> <td>1</td> <td>OUTPUT1</td> </tr> <tr> <td>1</td> <td>0</td> <td>OUTPUT2</td> </tr> <tr> <td>1</td> <td>1</td> <td>OUTPUT3</td> </tr> </tbody> </table> | CSMUXCR1 | CSMUXCR0 | Selected channel | 0 | 0 | OUTPUT0 | 0 | 1 | OUTPUT1 | 1 | 0 | OUTPUT2 | 1 | 1 | OUTPUT3 |
| CSMUXCR1 | CSMUXCR0 | Selected channel |       |   |  |          |          |                  |   |   |         |   |   |         |   |   |         |   |   |         |
| 0        | 0        | OUTPUT0          |       |   |  |          |          |                  |   |   |         |   |   |         |   |   |         |   |   |         |
| 0        | 1        | OUTPUT1          |       |   |  |          |          |                  |   |   |         |   |   |         |   |   |         |   |   |         |
| 1        | 0        | OUTPUT2          |       |   |  |          |          |                  |   |   |         |   |   |         |   |   |         |   |   |         |
| 1        | 1        | OUTPUT3          |       |   |  |          |          |                  |   |   |         |   |   |         |   |   |         |   |   |         |
|          |          |                  |       |   |  |          |          |                  |   |   |         |   |   |         |   |   |         |   |   |         |
|          |          |                  |       |   |  |          |          |                  |   |   |         |   |   |         |   |   |         |   |   |         |

**3.3.5 Address 04h - Current Sense Ratio Control Register (CSRATCR)**

**Table 23. Current sense ratio control register**

| Bit | Name     | Access | Reset | Content   |
|-----|----------|--------|-------|---|
| 7   |          |        | 0     | Reserved (they have to be written to "0" and are read "0")  |
| 6   |          |        | 0     |   |
| 5   |          |        | 0     |   |
| 4   |          |        | 0     |   |
| 3   | CSRATCR3 | R/W    | 0     | The CSRATCR adjusts the current sense ratio for the corresponding output channel.<br>1: select high current sense ratio for OUTPUTX<br>0: select low current sense ratio for OUTPUTX<br>For details see <a href="#">Table 9</a> . |
| 2   | CSRATCR2 | R/W    | 0     |   |
| 1   | CSRATCR1 | R/W    | 0     |   |
| 0   | CSRATCR0 | R/W    | 0     |   |

**3.3.6 Address 05h - PWM Mode Control Register (PWMCR)**

**Table 24. PWM mode control register**

| Bit | Name   | Access | Reset | Content  |
|-----|--------|--------|-------|--|
| 7   |        |        | 0     | Reserved (they have to be written to "0" and are read "0")   |
| 6   |        |        | 0     |  |
| 5   |        |        | 0     |  |
| 4   |        |        | 0     |  |
| 3   | PWMCR3 | R/W    | 0     | The PWMCR selects the PWM mode for each corresponding output channel.<br>1: PWM mode enabled for OUTPUTX<br>0: PWM mode disabled |
| 2   | PWMCR2 | R/W    | 0     |  |
| 1   | PWMCR1 | R/W    | 0     |  |
| 0   | PWMCR0 | R/W    | 0     |  |

### 3.3.7 Address 06h - Open-load ON-State Control Register (OLONCR)

Table 25. Open-load ON-state control register

| Bit | Name    | Access | Reset | Content   |
|-----|---------|--------|-------|---|
| 7   |         |        | 0     | Reserved (they have to be written to "0" and are read "0")  |
| 6   |         |        | 0     |   |
| 5   |         |        | 0     |   |
| 4   |         |        | 0     |   |
| 3   | OLONCR3 | R/W    | 0     | The OLONCR selects the open-load threshold for each corresponding output channel.<br>1: High threshold selected for OUTPUTX<br>0: Low threshold selected for OUTPUTX<br>For details see <a href="#">Table 7</a> . |
| 2   | OLONCR2 | R/W    | 0     |   |
| 1   | OLONCR1 | R/W    | 0     |   |
| 0   | OLONCR0 | R/W    | 0     |   |

### 3.3.8 Address 07h - Open-load OFF-State Control Register (OLOFFCR)

Table 26. Open-load OFF-state control register

| Bit | Name     | Access | Reset | Content   |
|-----|----------|--------|-------|---|
| 7   |          |        | 0     | Reserved (they have to be written to "0" and are read "0")  |
| 6   |          |        | 0     |   |
| 5   |          |        | 0     |   |
| 4   |          |        | 0     |   |
| 3   | OLOFFCR3 | R/W    | 0     | The OLOFFCR enables an internal pull-up current generator to distinguish between open-load OFF-state and output shorted to $V_{CC}$ .<br>1: Pull-up current generator enabled for OUTPUTX<br>0: Pull-up current generator disabled for OUTPUTX<br>See <a href="#">Table 8</a> . |
| 2   | OLOFFCR2 | R/W    | 0     |   |
| 1   | OLOFFCR1 | R/W    | 0     |   |
| 0   | OLOFFCR0 | R/W    | 0     |   |

### 3.3.9 Address 08h - Automatic Shutdown Control Register (ASDTCR)

Table 27. Automatic shutdown control register

| Bit | Name | Access | Reset | Content  |
|-----|------|--------|-------|--|
| 7   |      |        | 0     | Reserved (they have to be written to "0" and are read "0") |
| 6   |      |        | 0     |  |
| 5   |      |        | 0     |  |
| 4   |      |        | 0     |  |

**Table 27. Automatic shutdown control register**

| Bit | Name    | Access | Reset | Content  |
|-----|---------|--------|-------|--|
| 3   | ASDTCR3 | R/W    | 0     | The ASDTCR selects the autorestart mode after over temperature or power limitation for the corresponding output.<br>1: Autorestart mode enabled for OUTPUTX<br>0: Latched OFF-state enabled for OUTPUTX<br>In latched OFF-state the fault has to be cleared to re-enable the output channel after an over temperature or power limitation event. |
| 2   | ASDTCR2 | R/W    | 0     |  |
| 1   | ASDTCR1 | R/W    | 0     |  |
| 0   | ASDTCR0 | R/W    | 0     |  |

**3.3.10 Address 09h - Channel Control Register (CCR)**

**Table 28. Channel control register**

| Bit | Name | Access | Reset | Content   |
|-----|------|--------|-------|---|
| 7   |      |        | 0     | Reserved (they have to be written to "0" and are read "0")  |
| 6   |      |        | 0     |   |
| 5   |      |        | 0     |   |
| 4   |      |        | 0     |   |
| 3   |      |        | 0     |   |
| 2   |      |        | 0     |   |
| 1   | CCR1 | R/W    | 0     | The CCR selects the BULB or LED mode for the corresponding output.<br>1: LED mode selected for OUTPUTX<br>0: BULB mode selected for OUTPUTX |
| 0   | CCR0 | R/W    | 0     |   |

**3.3.11 Address 10h - 13h - Duty Cycle Control Register (DUTYXCR)**

There are four Duty Cycle Control Registers, one for each output channel:

- Address 10h - Duty Cycle Control Register for channel 0 (DUTY0CR)
- Address 11h - Duty Cycle Control Register for channel 1 (DUTY1CR)
- Address 12h - Duty Cycle Control Register for channel 2 (DUTY2CR)
- Address 13h - Duty Cycle Control Register for channel 3 (DUTY3CR)

**Table 29. DUTYXCR - duty cycle control register**

| Bit | Name     | Access | Reset | Content |   |   |     |     |   |   |
|-----|----------|--------|-------|---------|---|---|-----|-----|---|---|
| 7   | DUTYXCR7 | R/W    | 0     | 0       | 0 | 0 | ... | ... | 1 | 1 |
| 6   | DUTYXCR6 | R/W    | 0     | 0       | 0 | 0 | ... | ... | 1 | 1 |
| 5   | DUTYXCR5 | R/W    | 0     | 0       | 0 | 0 | ... | ... | 1 | 1 |
| 4   | DUTYXCR4 | R/W    | 0     | 0       | 0 | 0 | ... | ... | 1 | 1 |
| 3   | DUTYXCR3 | R/W    | 0     | 0       | 0 | 0 | ... | ... | 1 | 1 |
| 2   | DUTYXCR2 | R/W    | 0     | 0       | 0 | 0 | ... | ... | 1 | 1 |
| 1   | DUTYXCR1 | R/W    | 0     | 0       | 0 | 1 | ... | ... | 1 | 1 |



**Table 29. DUTYXCR - duty cycle control register (continued)**

| Bit                         | Name     | Access | Reset | Content         |                 |                 |     |     |                   |                   |
|-----------------------------|----------|--------|-------|-----------------|-----------------|-----------------|-----|-----|-------------------|-------------------|
| 0                           | DUTYXCR0 | R/W    | 0     | 0               | 1               | 0               | ... | ... | 0                 | 1                 |
| <b>Resulting Duty Cycle</b> |          |        |       | $\frac{0}{256}$ | $\frac{1}{256}$ | $\frac{2}{256}$ | ... | ... | $\frac{254}{256}$ | $\frac{255}{256}$ |

**3.3.12 Address 18h - 1Ah - Phase Control Register (PHASEXCR)**

There are four Phase Control Registers, one for each output channel:

- Address 18h - Phase Control Register of Channel 0 (PHASE0CR)
- Address 19h - Phase Control Register of Channel 1 (PHASE1CR)
- Address 1Ah - Phase Control Register of Channel 2 (PHASE2CR)
- Address 1Bh - Phase Control Register of Channel 3 (PHASE3CR)

**Table 30. PHASEXCR - duty cycle control register**

| Bit                    | Name      | Access | Reset | Content                                       |                |                |     |     |                 |                 |
|------------------------|-----------|--------|-------|---|----------------|----------------|-----|-----|-----------------|-----------------|
| 7                      | PHASEXCR4 | R/W    | 0     | 0   | 0              | 0              | ... | ... | 1               | 1               |
| 6                      | PHASEXCR3 | R/W    | 0     | 0   | 0              | 0              | ... | ... | 1               | 1               |
| 5                      | PHASEXCR2 | R/W    | 0     | 0   | 0              | 0              | ... | ... | 1               | 1               |
| 4                      | PHASEXCR1 | R/W    | 0     | 0   | 0              | 1              | ... | ... | 1               | 1               |
| 3                      | PHASEXCR0 | R/W    | 0     | 0   | 1              | 0              | ... | ... | 0               | 1               |
| 2                      |           |        | 0     | Reserved (not used): read as 0 and write to 0 |                |                |     |     |                 |                 |
| 1                      |           |        | 0     | Reserved (not used): read as 0 and write to 0 |                |                |     |     |                 |                 |
| 0                      |           |        | 0     | Reserved (not used): read as 0 and write to 0 |                |                |     |     |                 |                 |
| <b>Resulting Phase</b> |           |        |       | $\frac{0}{32}$                                | $\frac{1}{32}$ | $\frac{2}{32}$ | ... | ... | $\frac{30}{32}$ | $\frac{31}{32}$ |

**3.3.13 Address 2Eh - Channel Read Back Status Register (CHDRVR)**

**Table 31. Channel read back status register**

| Bit | Name    | Access | Reset | Content   |
|-----|---------|--------|-------|---|
| 7   |         |        | 0     | Reserved  |
| 6   |         |        | 0     |   |
| 5   |         |        | 0     |   |
| 4   |         |        | 0     |   |
| 3   | CHRBSR3 | R      | 0     | The CHDRVR allows to read back the actual state of each channel.<br>1: channel OUTPUTX is on<br>0: channel OUTPUTX is off |
| 2   | CHRBSR2 | R      | 0     |   |
| 1   | CHRBSR1 | R      | 0     |   |
| 0   | CHRBSR0 | R      | 0     |   |

3.3.14 Address 2Fh - General Status Register (GENSTR)

Table 32. General status register

| Bit | Name   | Access | Reset | Content  |
|-----|--------|--------|-------|--|
| 7   |        |        | 0     | Reserved   |
| 6   |        |        | 0     |  |
| 5   |        |        | 0     |  |
| 4   |        |        | 0     |  |
| 3   |        |        | 0     |  |
| 2   | PWMLOW | R      | 0     | This bit is set if the input PWM clock frequency is below 11.0 kHz (typ.) and reset if this frequency is above 16.0 kHz (typ.). If the PWMLOW bit is set, the PWM frequency is generated by an internal PWM clock signal at 160 Hz for channels programmed in BULB mode and 240 Hz for channels programmed in LED mode. The PWMLOW bit sets the global error flag. |
| 1   | CSNTO  | R      | 0     | The CSNTO bit is toggled at each half period of the CSN Timeout period and it is reset at the CSN rising edge.   |
| 0   | VCCUV  | R      | 0     | V <sub>CC</sub> undervoltage detection, is set when V <sub>CC</sub> < V <sub>USD</sub> and it is automatically cleared as soon as V <sub>CC</sub> > V <sub>USD</sub> + V <sub>USDhyst</sub> . This bit sets the Global Error Flag.   |

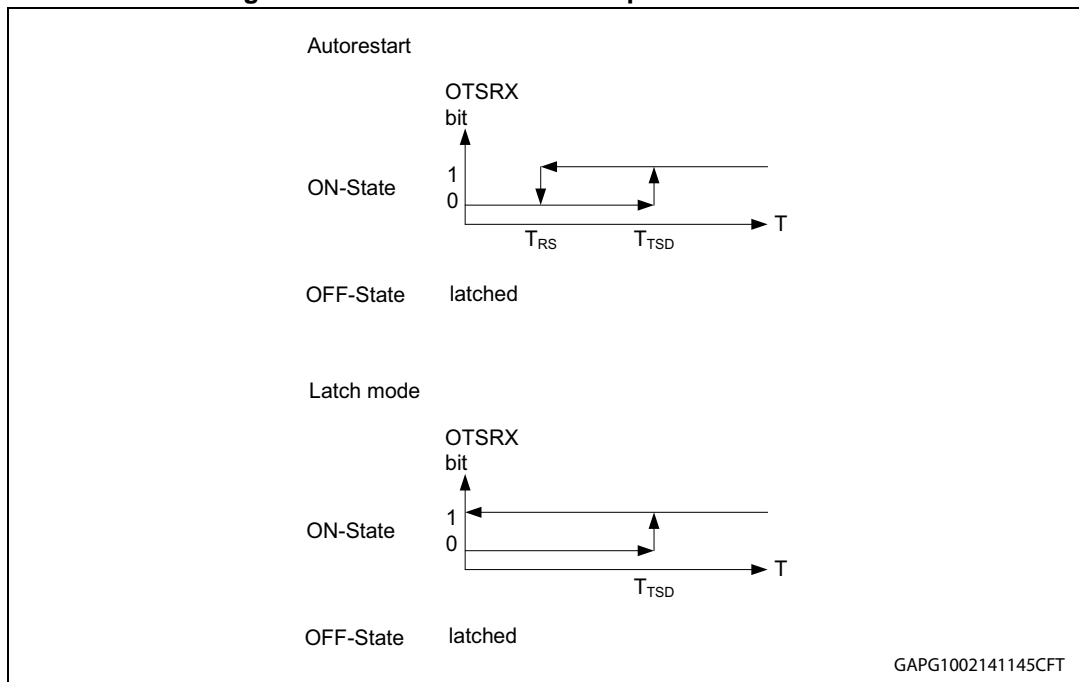
3.3.15 Address 30h - Over Temperature Status Register (OTFLTR)

Table 33. Over temperature status register

| Bit | Name  | Access | Reset | Content  |
|-----|-------|--------|-------|--|
| 7   |       |        | 0     | Reserved   |
| 6   |       |        | 0     |  |
| 5   |       |        | 0     |  |
| 4   |       |        | 0     |  |
| 3   | OTSR3 | R/C    | 0     | The OTSR reflects the thermal state of the corresponding channel OUTPUTX. According to Autorestart or to Latch the bit is kept or removed as shown in <i>Figure 16</i> . In Autorestart the bit is latched during OFF-state of the channel in order to allow asynchronous diagnostic and it is automatically cleared when the OT condition is removed. In Latch the bit is latched until a read and clear command is sent.<br>1: thermal shutdown occurred for OUTPUTX<br>0: no fault detected |
| 2   | OTSR2 | R/C    | 0     |  |
| 1   | OTSR1 | R/C    | 0     |  |
| 0   | OTSR0 | R/C    | 0     |  |



Figure 16. Behaviour of overtemperature status bits



### 3.3.16 Address 31h - Open-Load ON-State Status Register (OLFLTR)

Table 34. Open-load ON-state status register

| Bit | Name    | Access | Reset | Content  |
|-----|---------|--------|-------|--|
| 7   |         |        | 0     | Reserved   |
| 6   |         |        | 0     |  |
| 5   |         |        | 0     |  |
| 4   |         |        | 0     |  |
| 3   | OLONSR3 | R/C    | 0     | The OLONSRX is set if an open-load event in ON-state has occurred on the corresponding channel OUTPUTX. The bit is continuously refreshed in ON-state and latched in OFF-state. In order to clear the bit in OFF-state it is necessary to send a read and clear command. |
| 2   | OLONSR2 | R/C    | 0     |  |
| 1   | OLONSR1 | R/C    | 0     |  |
| 0   | OLONSR0 | R/C    | 0     | 1: open-load in ON-state occurred for OUTPUTX<br>0: no fault detected<br>See <a href="#">Section 3.3.20</a> for limitations on minimum PWM duty-cycle.   |

**3.3.17 Address 32h - Open-Load OFF-State / Stuck to V<sub>CC</sub> Status Register (STKFLTR)**

**Table 35. Open-load OFF-state / stuck to V<sub>CC</sub> status register**

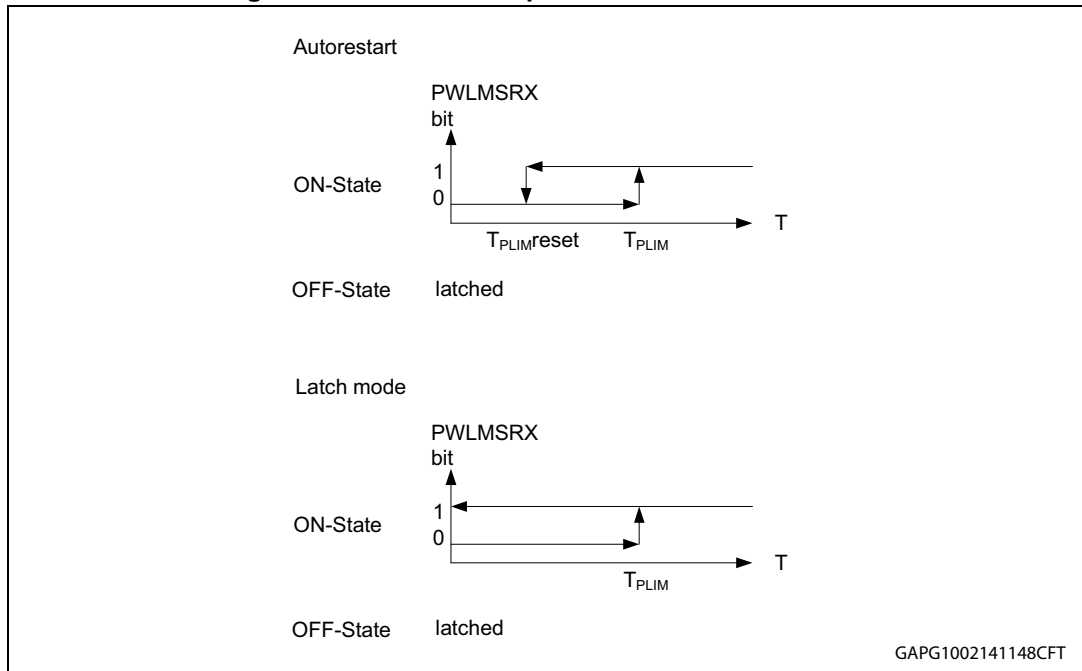
| Bit | Name   | Access | Reset | Content   |
|-----|--------|--------|-------|---|
| 7   |        |        | 0     | Reserved  |
| 6   |        |        | 0     |   |
| 5   |        |        | 0     |   |
| 4   |        |        | 0     |   |
| 3   | STKSR3 | R/C    | 0     | The STKSRX bit is set in OFF-state after the T <sub>DOFF</sub> is elapsed if V <sub>OUT</sub> > V <sub>OL</sub> . It gives an information about open-load or a stuck to V <sub>CC</sub> which depends on the configuration of the OLOFFCR register (for details refer to the functional description). The bit is continuously refreshed in OFF-state and it is latched during ON-state. In order to clear the bit in ON-state it is necessary to send a read and clear command.<br>1: open-load in OFF-state or stuck to V <sub>CC</sub> condition occurred for OUTPUTX<br>0: no fault detected |
| 2   | STKSR2 | R/C    | 0     |   |
| 1   | STKSR1 | R/C    | 0     |   |
| 0   | STKSR0 | R/C    | 0     |   |

**3.3.18 Address 33h - Power Limitation Status Register (PWLMFLTR)**

**Table 36. Power limitation status register**

| Bit | Name    | Access | Reset | Content   |
|-----|---------|--------|-------|---|
| 7   |         |        | 0     | Reserved  |
| 6   |         |        | 0     |   |
| 5   |         |        | 0     |   |
| 4   |         |        | 0     |   |
| 3   | PWLMSR3 | R/C    | 0     | The PWLMSRX is set if a power limitation event has occurred on the corresponding channel OUTPUTX. According to Autorestart or to Latch the bit is kept or removed as shown in <a href="#">Figure 17</a> . In Autorestart the bit is latched during OFF-state of the channel in order to allow asynchronous diagnostic and it is automatically cleared when the PWLM condition is removed. In Latch the bit is latched until a read and clear command is sent.<br>1: power limitation event occurred for OUTPUTX<br>0: no fault detected |
| 2   | PWLMSR2 | R/C    | 0     |   |
| 1   | PWLMSR1 | R/C    | 0     |   |
| 0   | PWLMSR0 | R/C    | 0     |   |

Figure 17. Behaviour of power limitation status bits



3.3.19 Address 34h - Over Load Status Register (OVLFLTR)

Table 37. Over load status register

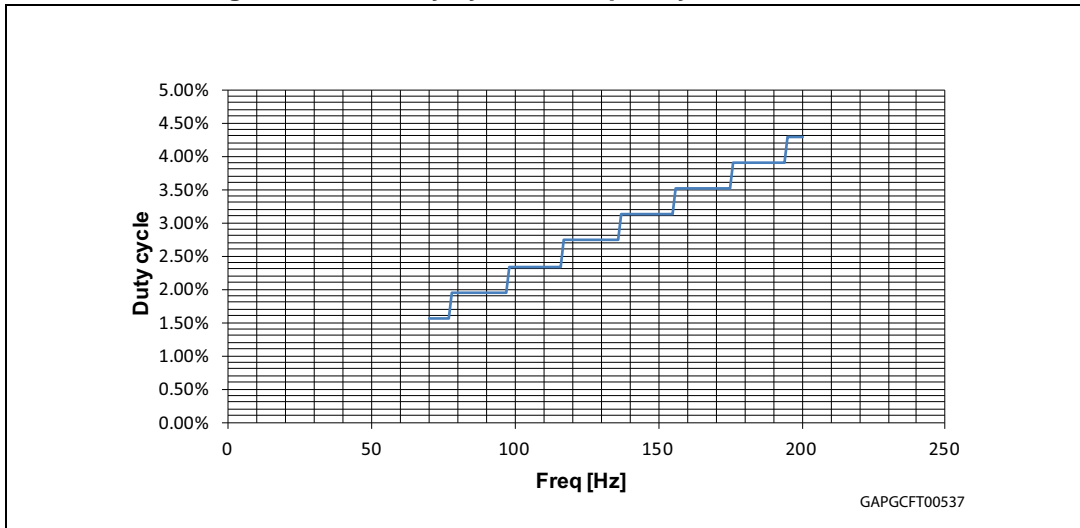
| Bit | Name   | Access | Reset | Content   |
|-----|--------|--------|-------|---|
| 7   |        |        | 0     | Reserved  |
| 6   |        |        | 0     |   |
| 5   |        |        | 0     |   |
| 4   |        |        | 0     |   |
| 3   | OVLSR3 | R/C    | 0     | The OVLSRX bit is set at turn OFF of the channel OUTPUTX, if the output voltage $V_{OUT}$ is lower than $V_{OVL}$ . The bit is latched until the next turn OFF. In order to clear the bit it is necessary to send a read and clear command.<br>1: over load event occurred for OUTPUTX<br>0: no fault detected<br>See <a href="#">Section 3.3.20</a> for limitations on minimum PWM duty-cycle. |
| 2   | OVLSR2 | R/C    | 0     |   |
| 1   | OVLSR1 | R/C    | 0     |   |
| 0   | OVLSR0 | R/C    | 0     | Note: As the status register is not updated while CSN is low, it is possible that the update of the OVLSR is delayed until the next turn-off if the PowerMOS is turned off during an SPI-frame.   |

3.3.20 Minimum duty cycle vs frequency

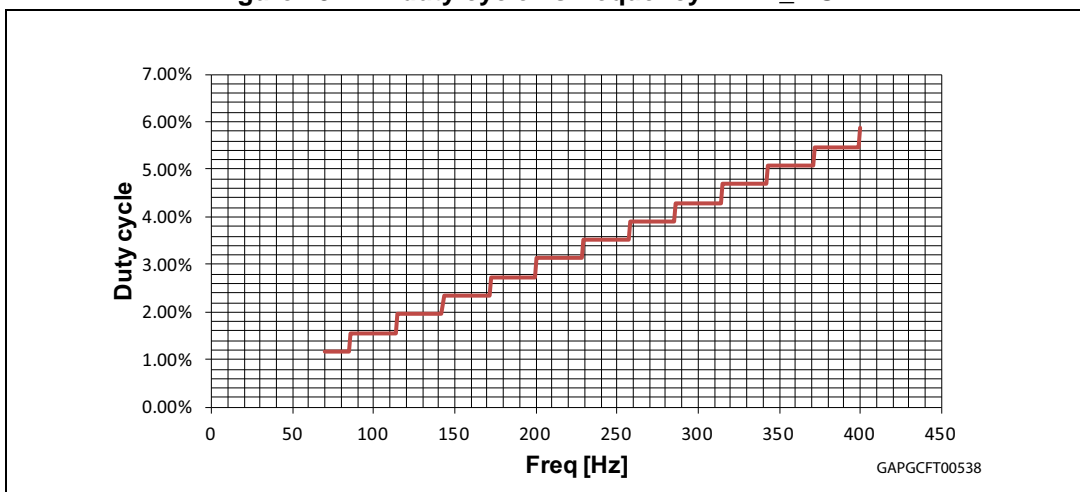
Correct operation of the load diagnostic reporting through SPI in PWM mode is ensured starting from a minimum ON time, and consequently a minimum duty-cycle. Below this threshold, false overload detection in the OVLFLTR register (address 34h) might be

reported. Moreover, open-load condition could not be correctly detected and reported in the OLFLTR register (address 31h). The minimum DC depends on the frequency as shown in [Figure 18](#) and [Figure 19](#).

**Figure 18. Min duty cycle vs frequency - BULB\_MODE**



**Figure 19. Min duty cycle vs frequency - LED\_MODE**



### 3.3.21 Address 3Eh - Test Register (TEST)

Table 38. Test register

| Bit | Name | Access | Reset | Content  |
|-----|------|--------|-------|----------|
| 7   |      |        | 0     | Reserved |
| 6   |      |        | 0     |          |
| 5   |      |        | 0     |          |
| 4   |      |        | 0     |          |
| 3   |      |        | 0     |          |
| 2   |      |        | 0     |          |
| 1   |      |        | 0     |          |
| 0   |      |        | 0     |          |

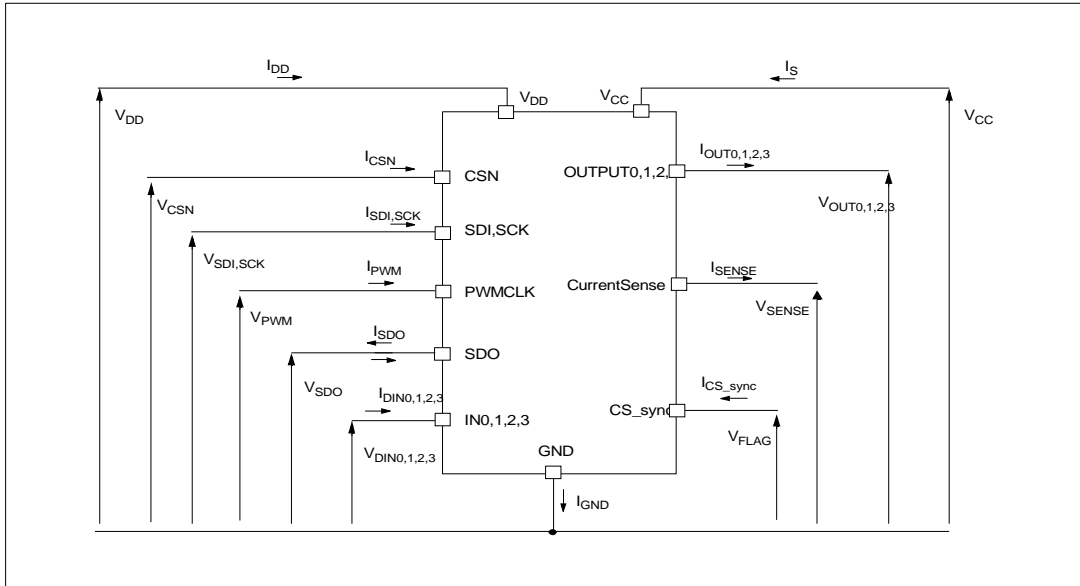
### 3.3.22 Address 3Fh - Configuration Register (GLOBCTR)

Table 39. Configuration register

| Bit | Name       | Access | Reset | Content   |
|-----|------------|--------|-------|---|
| 7   |            |        | 0     | Reserved (they have to be written to "0" and are read "0")  |
| 6   |            |        | 0     |   |
| 5   |            |        | 0     |   |
| 4   |            |        | 0     |   |
| 3   | TFRAMEMASK | R/W    | 0     | Masks the contribution of the TFRAME status bit in the Global Status Byte to the global error flag<br>1: TFRAME bit is masked<br>0: TFRAME bit not masked |
| 2   | OLONMASK   | R/W    | 0     | Masks the contribution of the OLON status bit in the Global Status byte to the global error flag.<br>1: OLON bit is masked<br>0: OLON bit not masked      |
| 1   | OLOFFMASK  | R/W    | 0     | Masks the contribution of the OLOFF status bit in the Global Status byte to the global error flag.<br>1: OLOFF bit is masked<br>0: OLOFF bit not masked   |
| 0   |            |        |       | Reserved (has to be written to "0" and is read "0")   |

## 4 Electrical specifications

Figure 20. Current and voltage conventions



### 4.1 Absolute maximum ratings

Stressing the device above the rating listed in the [Table 40: Absolute maximum ratings](#) may cause permanent damage to the device. These are stress ratings only and operation of the device at these or any other conditions above those indicated in the operating sections of this specification is not implied.

Table 40. Absolute maximum ratings

| Symbol              | Parameter                      | Value              | Unit |
|---------------------|--------------------------------|--------------------|------|
| $V_{CC}$            | DC supply voltage              | 41                 | V    |
| $-V_{CC}$           | Reverse DC supply voltage      | -41                | V    |
| $I_{OUT\ 0,1,2,3}$  | DC output current              | Internally limited | A    |
| $-I_{OUT\ 0,1,2,3}$ | DC output current              | -25                | A    |
| $I_{SENSE}$         | DC current sense input current | +10/-1             | mA   |
| $I_{SDI,CSN,SCK}$   | DC SPI pin current             | +10/-1             | mA   |
| $V_{PWM}$           | DC PWMCLK pin voltage          | 11                 | V    |
| $V_{DD}$            | DC SPI supply voltage          | 7                  | V    |
| $-V_{DD}$           | Reverse DC SPI supply voltage  | -0.3               | V    |
| $I_{DIN\ 0,1}$      | DC direct input current        | +1/-1              | mA   |
| $I_{DIN\ 2,3}$      |                                | +10/-1             | mA   |
| $V_{CS\_sync}$      | DC CS_sync pin voltage         | $V_{DD}+0.3$       | V    |

Table 40. Absolute maximum ratings (continued)

| Symbol          | Parameter   | Value      | Unit         |
|-----------------|---|------------|--------------|
| $-V_{CS\_sync}$ | Reverse DC CS_sync pin voltage                            | -0.3       | V            |
| $V_{ESD}$       | Electrostatic discharge (R = 1.5 k $\Omega$ ; C = 100 pF) | 4000       | V            |
| $T_j$           | Junction operating temperature                            | -40 to 150 | $^{\circ}$ C |
| $T_{STG}$       | Storage temperature                                       | -55 to 150 | $^{\circ}$ C |
| $I_{LAT}$       | Latch up current  | +/-20      | mA           |

## 4.2 Thermal data

Table 41. Thermal data

| Symbol         | Parameter                           | Value                         | Unit           |
|----------------|-------------------------------------|-------------------------------|----------------|
|                |                                     | PSS036                        |                |
| $R_{thj-case}$ | Thermal resistance junction-case    | 1.6                           | $^{\circ}$ C/W |
| $R_{thj-amb}$  | Thermal resistance junction-ambient | See <a href="#">Figure 28</a> | $^{\circ}$ C/W |

### 4.3 Electrical characteristics

4.5 V < V<sub>DD</sub> < 5.5 V, -40°C < T<sub>j</sub> < 150°C, unless otherwise specified.

#### 4.3.1 SPI

Table 42. SPI - DC characteristics

| Symbol                       | Parameter                       | Test conditions   | Min                | Typ  | Max                | Unit |
|------------------------------|---------------------------------|---|--------------------|------|--------------------|------|
| <b>V<sub>DD</sub> pin</b>    |                                 |   |                    |      |                    |      |
| V <sub>DDR</sub>             | Supply voltage reset            | V <sub>DD</sub> increasing  |                    | 3.0  | 3.5                | V    |
| V <sub>DDSD</sub>            | Supply voltage shutdown         | V <sub>DD</sub> decreasing  | 1.75               | 2.5  |                    | V    |
| I <sub>DD</sub>              | Supply current on- state        | V <sub>DD</sub> = 5 V   |                    | 0.6  | 1                  | mA   |
| I <sub>DDstd</sub>           | Supply current in standby state | V <sub>DD</sub> = 5 V; T <sub>j</sub> = 125°C; INx = 0 V                            |                    | 5    | 20                 | μA   |
| <b>SDI, SCK, PWMCLK pins</b> |                                 |   |                    |      |                    |      |
| I <sub>IL</sub>              | Low-level Input current         | V <sub>SDI,SCK,PWMCLK</sub> = 0.3 V <sub>DD</sub>                                   | 1                  |      |                    | μA   |
| I <sub>IH</sub>              | High-level Input current        | V <sub>SDI,SCK,PWMCLK</sub> = 0.7 V <sub>DD</sub>                                   |                    |      | 10                 | μA   |
| V <sub>IL</sub>              | Input low voltage               |   |                    |      | 0.3V <sub>DD</sub> | V    |
| V <sub>IH</sub>              | Input high voltage              |   | 0.7V <sub>DD</sub> |      |                    | V    |
| V <sub>SDI_CL</sub>          | SDI pin clamp voltage           | I <sub>IN</sub> = 1 mA  | 5.5                |      | 7.5                | V    |
|                              |                                 | I <sub>IN</sub> = -1 mA   |                    | -0.7 |                    | V    |
| V <sub>SCK_CL</sub>          | SCK pin clamp voltage           | I <sub>IN</sub> = 1 mA  | 5.5                |      | 7.5                | V    |
|                              |                                 | I <sub>IN</sub> = -1 mA   |                    | -0.7 |                    | V    |
| <b>SDO pin</b>               |                                 |   |                    |      |                    |      |
| V <sub>OL</sub>              | Output low voltage              | I <sub>SDO</sub> = 5 mA, CSN low, no fault condition                                |                    |      | 0.2V <sub>DD</sub> | V    |
| V <sub>OH</sub>              | Output high voltage             | I <sub>SDO</sub> = -5 mA, CSN low, fault condition                                  | 0.8V <sub>DD</sub> |      |                    | V    |
| I <sub>LO</sub>              | Output leakage current          | V <sub>SDO</sub> = 0 V or V <sub>DD</sub> , CSN high, -40°C < T <sub>j</sub> < 85°C | -5                 |      | 5                  | μA   |
| <b>CSN pin</b>               |                                 |   |                    |      |                    |      |
| I <sub>IL_CSN</sub>          | Low-level Input current         | V <sub>CSN</sub> = 0.3 V <sub>DD</sub>  | -10                |      |                    | μA   |
| I <sub>IH_CSN</sub>          | High-level Input current        | V <sub>CSN</sub> = 0.7 V <sub>DD</sub>  |                    |      | -1                 | μA   |
| V <sub>IL_CSN</sub>          | Output low voltage              |   |                    |      | 0.3V <sub>DD</sub> | V    |
| V <sub>IH_CSN</sub>          | Output high voltage             |   | 0.7V <sub>DD</sub> |      |                    | V    |
| V <sub>CSN_CL</sub>          | CSN pin clamp voltage           | I <sub>IN</sub> = 1 mA  | 5.5                |      | 7.5                | V    |
|                              |                                 | I <sub>IN</sub> = -1 mA   |                    | -0.7 |                    | V    |



Table 43. SPI - AC characteristics (SDI, SCK, CSN, SDO, PWMCLK pins)

| Symbol    | Parameter                      | Test conditions                      | Min | Typ | Max | Unit |
|-----------|--------------------------------|--------------------------------------|-----|-----|-----|------|
| $C_{OUT}$ | Output capacitance (SDO)       | $V_{OUT} = 0\text{ V to }5\text{ V}$ | —   | —   | 10  | pF   |
| $C_{IN}$  | Input capacitance (SDI)        | $V_{IN} = 0\text{ V to }5\text{ V}$  | —   | —   | 10  | pF   |
|           | Input capacitance (other pins) | $V_{IN} = 0\text{ V to }5\text{ V}$  | —   | —   | 10  | pF   |

Table 44. SPI - dynamic characteristics

| Symbol           | Parameter   | Test conditions                  | Min  | Typ | Max | Unit |
|------------------|---|----------------------------------|------|-----|-----|------|
| $f_C$            | Clock frequency   | Duty cycle = 50%                 | 0    |     | 4   | MHz  |
| $f_{pwm}$        | PWM clock frequency   | (See <sup>(1)</sup> )            | 20   |     | 200 | kHz  |
| $t_{WHCH}$       | CSN monitoring time-out   |                                  | 30   |     | 70  | ms   |
| $t_{SLCH}$       | CSN low setup time  | (See <a href="#">Figure 25</a> ) | 120  |     |     | ns   |
| $t_{SHCH}$       | CSN high setup time   | (See <a href="#">Figure 25</a> ) | 1200 |     |     | ns   |
| $t_{DVCH}$       | Data in setup time  | (See <a href="#">Figure 25</a> ) | 20   |     |     | ns   |
| $t_{CHDX}$       | Data in hold time   | (See <a href="#">Figure 25</a> ) | 30   |     |     | ns   |
| $t_{CH}$         | Clock high time   | (See <a href="#">Figure 25</a> ) | 115  |     |     | ns   |
| $t_{CL}$         | Clock low time  | (See <a href="#">Figure 25</a> ) | 115  |     |     | ns   |
| $t_{CLQV}$       | Clock low to output valid   | $C_{OUT} = 1\text{ nF}$          |      | 150 |     | ns   |
| $t_{QLQH}$       | Output rise time  | $C_{OUT} = 1\text{ nF}$          |      | 110 |     | ns   |
| $t_{QHQL}$       | Output fall time  | $C_{OUT} = 1\text{ nF}$          |      | 110 |     | ns   |
| $t_{WU}$         | Rising edge of VDD to first allowed communication                         |                                  | 3    |     | 23  | μs   |
| $t_{stdby\_out}$ | Minimum time during which CSN must be toggled low to go out of STDBY mode |                                  | 20   | 55  | 100 | μs   |
| $t_{blinking}$   | blinking time of the power limitation protection                          |                                  | 7.5  | 15  | 18  | ms   |

1. Output PWM frequency is  $1/512 * f_{pwm}$  in BULB mode and  $1/256 * f_{pwm}$  in LED mode. If  $f_{pwm}$  is below minimum frequency, device falls back to an internal 83 kHz (typical) oscillator (160 Hz output PWM frequency in BULB mode and 320Hz in LED mode).

Table 45. SPI - CS\_sync pin

| Symbol          | Parameter                 | Test conditions  | Min.        | Typ. | Max.        | Unit |
|-----------------|---------------------------|--|-------------|------|-------------|------|
| $V_{CS\_syncL}$ | Output low-level voltage  | $I_{CS\_sync} = 1\text{ mA}$ , all channels off        |             | —    | $0.2V_{DD}$ | V    |
| $V_{CS\_syncH}$ | Output high-level voltage | $I_{CS\_sync} = -1\text{ mA}$<br>OUT0 ON, CSMUXCR="01" | $0.8V_{DD}$ | —    |             | V    |

$8\text{ V} < V_{CC} < 24\text{ V}$ ;  $-40^{\circ}\text{C} < T_j < 150^{\circ}\text{C}$ , unless otherwise specified.

Table 46. SPI - power section

| Symbol        | Parameter                         | Test conditions   | Min.             | Typ.             | Max.             | Unit          |
|---------------|-----------------------------------|---|------------------|------------------|------------------|---------------|
| $V_{CC}$      | Operating supply voltage          |   | 5                | 13               | 28               | V             |
| $V_{USD}$     | Undervoltage shutdown             |   |                  | 3                | 5                | V             |
| $V_{USDhyst}$ | Under voltage shutdown hysteresis |   |                  | 0.25             |                  | V             |
| $V_{clamp}$   | Vcc clamp voltage                 | $I_{CC} = 20\text{ mA}$ ; $I_{OUT0,1,2,3} = 0\text{ A}$   | 41               | 46               | 52               | V             |
| $V_{clamp2}$  | Reverse Vcc clamp voltage         | $I_{CC} = -7\text{ mA}$ ; $I_{OUT0,1,2,3} = 0\text{ A}$   | -52              | -46              | -41              | V             |
| $I_S$         | Supply current                    | Off-state; $V_{CC} = 13\text{ V}$ ; $T_j = 25^{\circ}\text{C}$ ; $V_{DD} = 0\text{ V}$                                  |                  | 3                | 5                | $\mu\text{A}$ |
|               |                                   | Off-state; $V_{CC} = 13\text{ V}$ ; $T_j = 25^{\circ}\text{C}$ ; $V_{DD} = 5\text{ V}$ , standby mode; Direct input low |                  | 5                | 10               | $\mu\text{A}$ |
|               |                                   | On-state (all channels ON); $V_{CC} = 13\text{ V}$ ; $V_{DD} = 5\text{ V}$ ; $I_{OUT} = 0\text{ A}$                     |                  | 7.5              | 14               | mA            |
| $I_{L(off)}$  | Off-state output current          | $V_{DD} = 0\text{ V}$ ; $V_{CC} = 13\text{ V}$ ; $T_j = 25^{\circ}\text{C}$   | 0                |                  | 3                | $\mu\text{A}$ |
|               |                                   | $V_{DD} = 0\text{ V}$ ; $V_{CC} = 13\text{ V}$ ; $T_j = 125^{\circ}\text{C}$  | 0                |                  | 5                | $\mu\text{A}$ |
| $V_{DEMAG}$   | Turn-off output voltage clamp     | $I_{OUT} = 3\text{ A}$ ; $V_{IN} = 0\text{ V}$ ; $L = 6\text{ mH}$ ; $25^{\circ}\text{C} < T_j < 150^{\circ}\text{C}$   | $V_{CC}^-$<br>40 | $V_{CC}^-$<br>44 | $V_{CC}^-$<br>48 | V             |

Table 47. SPI - logic inputs (IN0,1,2,3 pins)

| Symbol               | Parameter                                  | Test conditions          | Min. | Typ. | Max. | Unit          |
|----------------------|--|--------------------------|------|------|------|---------------|
| $V_{IL0,1,2,3}$      | Input low-level voltage                    |                          |      |      | 0.8  | V             |
| $I_{ILO,1,2,3}$      | Low-level input current                    | $V_{DIN} = 0.9\text{ V}$ | 1    |      |      | $\mu\text{A}$ |
| $V_{IH0,1,2,3}$      | Input high-level voltage                   |                          | 2    |      |      | V             |
| $I_{IHO,1,2,3}$      | High-level input current                   | $V_{DIN} = 2.1\text{ V}$ |      |      | 10   | $\mu\text{A}$ |
| $V_{I(hyst)0,1,2,3}$ | Input hysteresis voltage                   |                          | 0.2  |      |      | V             |
| $V_{ICL2,3}$         | Input clamp voltage                        | $I_{IN} = 1\text{ mA}$   | 5.5  |      | 7.5  | V             |
|                      |  | $I_{IN} = -1\text{ mA}$  |      | -0.7 |      | V             |
| $I_{ILIN0,1}$        | Allowed input current for normal operation |                          |      |      | 1    | mA            |
| $V_{ICL0,1}$         | Input clamp voltage                        | $I_{IN} = 15\text{ mA}$  | 11   |      | 15   | V             |
|                      |  | $I_{IN} = -1\text{ mA}$  |      | -0.7 |      | V             |

Table 48. SPI - protections

| Symbol                    | Parameter   | Test conditions  | Min.                 | Typ.                 | Max.                 | Unit               |
|---------------------------|---|--|----------------------|----------------------|----------------------|--------------------|
| $\Delta T_{PLIM}^{(1)}$   | Junction-case temperature difference triggering power LIMitiation protection    | $V_{CC} = 13\text{ V}$                                 |                      | 60                   |                      | $^{\circ}\text{C}$ |
| $\Delta T_{PLIM}^{reset}$ | Junction-case temperature difference resetting power LIMitiation protection     | $V_{CC} = 13\text{ V}$                                 |                      | 35                   |                      | $^{\circ}\text{C}$ |
| $T_{TSD}$                 | Shutdown temperature  | $V_{CC} = 13\text{ V}$                                 | 150                  | 175                  | 200                  | $^{\circ}\text{C}$ |
| $T_R$                     | Reset temperature   | $V_{CC} = 13\text{ V}$ , latched off mode disabled     | $T_{RS} + 1$         | $T_{RS} + 5$         |                      | $^{\circ}\text{C}$ |
| $T_{RS}$                  | Thermal reset of OTFLTR fault detection   | $V_{CC} = 13\text{ V}$ , latched off mode disabled     | 135                  |                      |                      | $^{\circ}\text{C}$ |
| $T_{HYST}$                | Thermal hysteresis ( $T_{TSD} - T_R$ )  | $V_{CC} = 13\text{ V}$ , latched off mode disabled     |                      | 10                   |                      | $^{\circ}\text{C}$ |
| $T_{CSD}$                 | Case thermal detection pre-warning  | $V_{CC} = 13\text{ V}$ (see <a href="#">Table 19</a> ) | $T_{CSD}^{nom} - 10$ | $T_{CSD}^{nom}$      | $T_{CSD}^{nom} + 10$ | $^{\circ}\text{C}$ |
| $T_{CR}$                  | Case thermal detection reset  | $V_{CC} = 13\text{ V}$                                 |                      | $T_{CSD}^{nom} - 10$ |                      | $^{\circ}\text{C}$ |
| $V_{OVL}$                 | Overload detection output voltage threshold (set bit OVLSRX in OVFLTR register) |  |                      | $V_{CC} - 1.5$       |                      | V                  |

1.  $Z_{thj-case} \times P = \Delta T_{PLIM}$ ,  $Z_{th-case}$  is the thermal impedance, P is the Power.

Table 49. SPI - open-load detection ( $8\text{V} < V_{CC} < 18\text{ V}$ )

| Symbol       | Parameter  | Test conditions   | Min. | Typ.           | Max. | Unit |
|--------------|--|---|------|----------------|------|------|
| $V_{OL}$     | Open-load off-state voltage detection threshold                  | $V_{IN} = 0\text{V}$  |      | $V_{CC} - 1.5$ |      | V    |
| $I_{PU}$     | Pull-up current generator for open-load at off-state detection   | Pull-up current generator active, $V_{out} = V_{CC} - 1.5\text{ V}$ | -1.3 | -0.8           | -0.3 | mA   |
| $t_{DOLOFF}$ | Delay time after turn off to allow open-load off-state detection |   |      | 1              |      | ms   |

## 4.3.2 BULB mode

Table 50. BULB - power section

| Symbol                             | Parameter                          | Test conditions  | Min. | Typ. | Max. | Unit |
|------------------------------------|------------------------------------|--|------|------|------|------|
| $R_{ON}$ Ch <sub>0,1,2,3</sub>     | On-state resistance                | $I_{OUT} = 3\text{ A}; T_j = 25^\circ\text{C}$                         | —    | 35   |      | mΩ   |
|                                    |                                    | $I_{OUT} = 3\text{ A}; T_j = 150^\circ\text{C}$                        | —    |      | 80   | mΩ   |
|                                    |                                    | $I_{OUT} = 3\text{ A}; V_{CC} = 5\text{ V}; T_j = 25^\circ\text{C}$    | —    |      | 60   | mΩ   |
| $R_{ON REV}$ Ch <sub>0,1,2,3</sub> | Rdson in reverse battery condition | $V_{CC} = -13\text{ V}; I_{OUT} = -3\text{ A}; T_j = 25^\circ\text{C}$ | —    | 35   |      | mΩ   |

Table 51. BULB - switching ( $V_{CC} = 13\text{ V}$ )

| Symbol                | Parameter                           | Test conditions   | Min. | Typ. | Max. | Unit |
|-----------------------|-------------------------------------|---|------|------|------|------|
| $t_{d_{on}}$          | Turn-on time                        | from 50% CSN to 10% $V_{OUT}^{(1)}$<br>$R_L = 4.3\ \Omega$                    | —    | 100  | —    | μs   |
| $t_{d_{off}}$         | Turn-off time                       | from 50% CSN to 90% $V_{OUT}^{(1)}$<br>$R_L = 4.3\ \Omega$                    | —    | 80   | —    | μs   |
| $t_{skew}$            | Turn-off - Turn on time             | From 50% CSN to 50% $V_{OUT}$ ;<br>$R_L = 4.3\ \Omega$                        | —    | 30   | —    | μs   |
| $(dV_{OUT}/dt)_{on}$  | Turn-on voltage slope               | From $V_{OUT} = 1.3\text{ V}$ to $10.4\text{ V}^{(1)}$<br>$R_L = 4.3\ \Omega$ | —    | 0.4  | —    | V/μs |
| $(dV_{OUT}/dt)_{off}$ | Turn-off voltage slope              | From $V_{OUT} = 11.7\text{ V}$ to $1.3\text{ V}^{(1)}$<br>$R_L = 4.3\ \Omega$ | —    | 0.35 | —    | V/μs |
| $W_{ON}$              | Switching losses energy at turn-on  | $R_L = 4.3\ \Omega$   | —    | 0.25 | —    | mJ   |
| $W_{OFF}$             | Switching losses energy at turn-off | $R_L = 4.3\ \Omega$   | —    | 0.25 | —    | mJ   |

1. See [Figure 22: Switching characteristics](#).

Table 52. BULB - open-load detection ( $8\text{ V} < V_{CC} < 18\text{ V}$ )

| Symbol   | Parameter                              | Test conditions       | Min.             | Typ.               | Max.              | Unit |
|----------|--|-----------------------|------------------|--------------------|-------------------|------|
| $I_{OL}$ | Open-load on-state detection threshold | $V_{IN} = 5\text{ V}$ | 30% $I_{OL}$ nom | $I_{OL}^{(1)}$ nom | 170% $I_{OL}$ nom | mA   |

1. See [Table 7: Nominal open-load thresholds](#).

Table 53. BULB - protections and diagnosis

| Symbol                           | Parameter             | Test conditions                     | Min. | Typ. | Max. | Unit |
|----------------------------------|-----------------------|-------------------------------------|------|------|------|------|
| $I_{limH}$ Ch <sub>0,1,2,3</sub> | Short circuit current | $V_{CC} = 13\text{ V}$              | 25   | 35   | 55   | A    |
|                                  |                       | $5\text{ V} < V_{CC} < 18\text{ V}$ |      |      | 55   | A    |

Table 53. BULB - protections and diagnosis (continued)

| Symbol                           | Parameter                                    | Test conditions   | Min. | Typ. | Max. | Unit |
|----------------------------------|--|---|------|------|------|------|
| $I_{limL}$ Ch <sub>0,1,2,3</sub> | Short circuit current during thermal cycling | $V_{CC} = 13\text{ V}; T_R < T_j < T_{TSD}$   |      | 11   |      | A    |
| $V_{ON}$                         | Output voltage drop limitation               | Ch <sub>0,1,2,3</sub> $I_{OUT} = 0.15\text{ A}; T_j = -40^\circ\text{C}$ to $150^\circ\text{C}$ |      | 25   |      | mV   |

Table 54. BULB - current sense (8 V <  $V_{CC}$  < 18 V, channel 0,1,2,3)

| Symbol         | Parameter  | Test conditions   | Min.         | Typ.         | Max.         | Unit          |
|----------------|--|---|--------------|--------------|--------------|---------------|
| $K_0$          | $I_{OUT}/I_{SENSE}$  | $I_{OUT} = 0.075\text{ A}; V_{SENSE} = 0.5\text{ V};$<br>Logic [0] on bit bx in CSRATCR;<br>$T_j = -40^\circ\text{C}$ to $150^\circ\text{C}$                        | 460          | 1190         | 1980         |               |
| $dK_0/K_0$     | Current sense ratio drift  | $I_{OUT} = 0.075\text{ A}; V_{SENSE} = 0.5\text{ V};$<br>Logic [0] on bit bx in CSRATCR;<br>$T_j = -40^\circ\text{C}$ to $150^\circ\text{C}$                        | -30          |              | 30           | %             |
| $K_1$          | $I_{OUT}/I_{SENSE}$  | $I_{OUT} = 0.6\text{ A}; V_{SENSE} = 0.5\text{ V};$<br>Logic [0] on bit bx in CSRATCR;<br>$T_j = -40^\circ\text{C}$ to $150^\circ\text{C}$                          | 890          | 1310         | 1730         |               |
| $dK_1/K_1$     | Current sense ratio drift  | $I_{OUT} = 0.6\text{ A}; V_{SENSE} = 0.5\text{ V};$<br>Logic [0] on bit bx in CSRATCR;<br>$T_j = -40^\circ\text{C}$ to $150^\circ\text{C}$                          | -20          |              | 20           | %             |
| $K_2$          | $I_{OUT}/I_{SENSE}$  | $I_{OUT} = 3\text{ A}; V_{SENSE} = 4\text{ V};$<br>Logic [1] on bit bx in CSRATCR;<br>$T_j = -40^\circ\text{C};$<br>$T_j = 25^\circ\text{C}$ to $150^\circ\text{C}$ | 3250<br>3350 | 3900<br>3875 | 4600<br>4400 |               |
| $dK_2/K_2$     | Current sense ratio drift  | $I_{OUT} = 3\text{ A}; V_{SENSE} = 4\text{ V};$<br>Logic [1] on bit bx in CSRATCR;<br>$T_j = -40^\circ\text{C}$ to $150^\circ\text{C}$                              | -10          |              | 10           | %             |
| $K_3$          | $I_{OUT}/I_{SENSE}$  | $I_{OUT} = 6\text{ A}; V_{SENSE} = 4\text{ V};$<br>Logic [1] on bit bx in CSRATCR;<br>$T_j = -40^\circ\text{C};$<br>$T_j = 25^\circ\text{C}$ to $150^\circ\text{C}$ | 3480<br>3550 | 3900<br>3880 | 4400<br>4210 |               |
| $dK_3/K_3$     | Current sense ratio drift  | $I_{OUT} = 6\text{ A}; V_{SENSE} = 4\text{ V};$<br>Logic [1] on bit bx in CSRATCR;<br>$T_j = -40^\circ\text{C}$ to $150^\circ\text{C}$                              | -6           |              | 6            | %             |
| $I_{SENSE0}$   | Analog sense current   | $I_{OUT} = 0\text{ A}; V_{SENSE} = 0\text{ V};$<br>Channel at off-state; $T_j = -40^\circ\text{C}$ to $150^\circ\text{C}$   | 0            |              | 1            | $\mu\text{A}$ |
|                |  | $I_{OUT} = 0\text{ A}; V_{SENSE} = 0\text{ V};$<br>Channel at on-state; $T_j = -40^\circ\text{C}$ to $150^\circ\text{C}$  | 0            |              | 2            | $\mu\text{A}$ |
| $t_{DSENSE1H}$ | Delay response time from rising edge of CSN pin (turn-on of the channel) | $V_{SENSE} < 4\text{ V}, R_{SENSE} = 2\text{ K}\Omega;$<br>$I_{SENSE} = 90\%$ of $I_{SENSE\text{ max}}$<br>(see <a href="#">Figure 21</a> )                         |              | 70           | 250          | $\mu\text{s}$ |

**Table 54. BULB - current sense (8 V < V<sub>CC</sub> < 18 V, channel 0,1,2,3) (continued)**

| Symbol                         | Parameter   | Test conditions   | Min. | Typ. | Max. | Unit |
|--------------------------------|---|---|------|------|------|------|
| t <sub>DSENSE1L</sub>          | Delay response time from rising edge of CSN pin (turn-off of the channel) | V <sub>SENSE</sub> < 4 V, R <sub>SENSE</sub> = 2 KΩ;<br>I <sub>SENSE</sub> = 10 % of I <sub>SENSE max</sub><br>(see <a href="#">Figure 21</a> ) |      | 5    | 20   | μs   |
| A <sub>K</sub> <sup>(1)</sup>  | K ratio analog multiplier   | $A_K = \frac{K _{CSRATCR=[1]}}{K _{CSRATCR=[0]}}$<br>for K = K <sub>1</sub> and K <sub>2</sub><br>T <sub>j</sub> = -40°C to 150°C               |      | 3    |      |      |
| dA <sub>K</sub> <sup>(1)</sup> | K ratio analog multiplier tolerance                                       | $A_K = \frac{K _{CSRATCR=[1]}}{K _{CSRATCR=[0]}}$<br>for K = K <sub>1</sub> and K <sub>2</sub><br>T <sub>j</sub> = -40°C to 150°C               | -1   |      | 1    | %    |

1. Parameter specified by design; not subject to production test.

### 4.3.3 LED mode

8 V < V<sub>CC</sub> < 24 V; -40°C < T<sub>j</sub> < 150°C, unless otherwise specified.

**Table 55. LED - power section**

| Symbol                                | Parameter           | Test conditions  | Min. | Typ. | Max. | Unit |
|---------------------------------------|---------------------|--|------|------|------|------|
| R <sub>ON</sub> Ch <sub>0,1,2,3</sub> | On-state resistance | I <sub>OUT</sub> = 1 A; T <sub>j</sub> = 25°C                        | —    | 105  |      | mΩ   |
|                                       |                     | I <sub>OUT</sub> = 1 A; T <sub>j</sub> = 150°C                       | —    |      | 240  | mΩ   |
|                                       |                     | I <sub>OUT</sub> = 1 A; V <sub>CC</sub> = 5 V; T <sub>j</sub> = 25°C | —    |      | 180  | mΩ   |

**Table 56. LED - switching (V<sub>CC</sub>=13V channel 0,1,2,3)**

| Symbol                                 | Parameter                           | Test conditions  | Min. | Typ. | Max. | Unit |
|--|-------------------------------------|--|------|------|------|------|
| t <sub>d<sub>on</sub></sub>            | Turn-on delay time                  | from 50 % CSN to 10% V <sub>OUT</sub> <sup>(1)</sup> ; R <sub>L</sub> = 13 Ω   | —    | 65   | —    | μs   |
| t <sub>d<sub>off</sub></sub>           | Turn-off delay time                 | from 50 % CSN to 90 % V <sub>OUT</sub> <sup>(1)</sup> ; R <sub>L</sub> = 13 Ω  | —    | 30   | —    | μs   |
| t <sub>skew</sub>                      | Turn-off turn-on time               | from 50 % CSN to 50 % V <sub>OUT</sub> ; R <sub>L</sub> = 13 Ω                 | —    | 30   | —    | μs   |
| (dV <sub>OUT</sub> /dt) <sub>on</sub>  | Turn-on voltage slope               | from V <sub>OUT</sub> = 1.3 V to 10.4 V <sup>(1)</sup> ; R <sub>L</sub> = 13 Ω | —    | 0.5  | —    | V/μs |
| (dV <sub>OUT</sub> /dt) <sub>off</sub> | Turn-off voltage slope              | from V <sub>OUT</sub> = 11.7 V to 1.3 V <sup>(1)</sup> ; R <sub>L</sub> = 13 Ω | —    | 0.8  | —    | V/μs |
| W <sub>ON</sub>                        | Switching losses energy at turn-on  | R <sub>L</sub> = 13 Ω  | —    | 0.06 | —    | mJ   |
| W <sub>OFF</sub>                       | Switching losses energy at turn-off | R <sub>L</sub> = 13 Ω  | —    | 0.03 | —    | mJ   |

1. See [Figure 22: Switching characteristics](#).

Table 57. LED - open-load detection ( $8\text{ V} < V_{CC} < 18\text{ V}$ )

| Symbol   | Parameter                              | Test conditions       | Min.                 | Typ.                  | Max.                  | Unit |
|----------|--|-----------------------|----------------------|-----------------------|-----------------------|------|
| $I_{OL}$ | Open-load on-state detection threshold | $V_{IN} = 5\text{ V}$ | 30 % $I_{OL}$<br>nom | $I_{OL}^{(1)}$<br>nom | 170 % $I_{OL}$<br>nom | mA   |

1. See [Table 7: Nominal open-load thresholds](#).

Table 58. LED - protections and diagnosis

| Symbol                           | Parameter                                    | Test conditions  | Min. | Typ. | Max. | Unit |
|----------------------------------|--|--|------|------|------|------|
| $I_{limH}$ Ch <sub>0,1,2,3</sub> | Short circuit current                        | $V_{CC} = 13\text{ V}$   | 7    | 12   | 18   | A    |
|                                  |  | $5\text{ V} < V_{CC} < 18\text{ V}$  |      |      | 18   | A    |
| $I_{limL}$ Ch <sub>0,1,2,3</sub> | Short circuit current during thermal cycling | $V_{CC} = 13\text{ V}; T_R < T_J < T_{TSD}$  |      | 3.5  |      | A    |
| $V_{ON}$                         | Output voltage drop limitation               | Ch <sub>0,1,2,3</sub> $I_{OUT} = 0.005\text{ A}; T_J = -40^\circ\text{C}$ to $150^\circ\text{C}$ |      | 25   |      | mV   |

Table 59. LED - current sense ( $8\text{ V} < V_{CC} < 18\text{ V}$ , channel 0,1,2,3)

| Symbol     | Parameter                 | Test conditions  | Min. | Typ. | Max. | Unit |
|------------|---------------------------|--|------|------|------|------|
| $K_{OL}$   | $I_{OUT}/I_{SENSE}$       | $I_{OUT} = 0.010\text{ A}; V_{SENSE} = 0.5\text{ V};$<br>Logic [0] on bit bx in CSRATCR;<br>$T_J = -40^\circ\text{C}$ to $150^\circ\text{C}$ | 150  |      |      |      |
| $K_0$      | $I_{OUT}/I_{SENSE}$       | $I_{OUT} = 0.025\text{ A}; V_{SENSE} = 0.5\text{ V};$<br>Logic [0] on bit bx in CSRATCR;<br>$T_J = -40^\circ\text{C}$ to $150^\circ\text{C}$ | 175  | 390  | 615  |      |
| $dK_0/K_0$ | Current sense ratio drift | $I_{OUT} = 0.025\text{ A}; V_{SENSE} = 0.5\text{ V};$<br>Logic [0] on bit bx in CSRATCR;<br>$T_J = -40^\circ\text{C}$ to $150^\circ\text{C}$ | -30  |      | 30   | %    |
| $K_1$      | $I_{OUT}/I_{SENSE}$       | $I_{OUT} = 0.2\text{ A}; V_{SENSE} = 0.5\text{ V};$<br>Logic [0] on bit bx in CSRATCR;<br>$T_J = -40^\circ\text{C}$ to $150^\circ\text{C}$   | 280  | 440  | 600  |      |
| $dK_1/K_1$ | Current sense ratio drift | $I_{OUT} = 0.2\text{ A}; V_{SENSE} = 0.5\text{ V};$<br>Logic [0] on bit bx in CSRATCR;<br>$T_J = -40^\circ\text{C}$ to $150^\circ\text{C}$   | -20  |      | 20   | %    |
| $K_2$      | $I_{OUT}/I_{SENSE}$       | $I_{OUT} = 1\text{ A}; V_{SENSE} = 4\text{ V};$<br>Logic [1] on bit bx in CSRATCR;<br>$T_J = -40^\circ\text{C}$                              | 1070 | 1310 | 1550 |      |
|            |                           | $T_J = 25^\circ\text{C}$ to $150^\circ\text{C}$  | 1110 | 1300 | 1480 |      |
| $dK_2/K_2$ | Current sense ratio drift | $I_{OUT} = 1\text{ A}; V_{SENSE} = 4\text{ V};$<br>Logic [1] on bit bx in CSRATCR;<br>$T_J = -40^\circ\text{C}$ to $150^\circ\text{C}$       | -10  |      | 10   | %    |
| $K_3$      | $I_{OUT}/I_{SENSE}$       | $I_{OUT} = 2\text{ A}; V_{SENSE} = 4\text{ V};$<br>Logic [1] on bit bx in CSRATCR;<br>$T_J = -40^\circ\text{C}$                              | 1180 | 1310 | 1450 |      |
|            |                           | $T_J = 25^\circ\text{C}$ to $150^\circ\text{C}$  | 1200 | 1300 | 1410 |      |

**Table 59. LED - current sense (8 V < V<sub>CC</sub> < 18 V , channel 0,1,2,3) (continued)**

| Symbol                          | Parameter   | Test conditions  | Min. | Typ. | Max. | Unit |
|---------------------------------|---|--|------|------|------|------|
| dK <sub>3</sub> /K <sub>3</sub> | Current sense ratio drift   | I <sub>OUT</sub> = 2 A; V <sub>SENSE</sub> = 4 V;<br>Logic [1] on bit bx in CSRATCR;<br>T <sub>j</sub> = -40°C to 150°C                        | -6   |      | 6    | %    |
| I <sub>SENSE0</sub>             | Analog sense current  | I <sub>OUT</sub> = 0 A; V <sub>SENSE</sub> = 0 V;<br>Channel at ON-state; T <sub>j</sub> = -40°C...150°C                                       | 0    |      | 1    | μA   |
|                                 |   | I <sub>OUT</sub> = 0 A; V <sub>SENSE</sub> = 0 V;<br>Channel at ON-state; T <sub>j</sub> = -40°C to 150°C                                      | 0    |      | 2    | μA   |
| t <sub>DSENSE1H</sub>           | Delay response time from rising edge of CSN pin (turn-on of the channel)  | V <sub>SENSE</sub> < 4 V; R <sub>SENSE</sub> = 2 KΩ;<br>I <sub>SENSE</sub> = 90% of I <sub>SENSE max</sub><br>(see <a href="#">Figure 21</a> ) |      | 70   | 160  | μs   |
| t <sub>DSENSE1L</sub>           | Delay response time from rising edge of CSN pin (turn-off of the channel) | V <sub>SENSE</sub> < 4 V; R <sub>SENSE</sub> = 2 KΩ;<br>I <sub>SENSE</sub> = 10% of I <sub>SENSE max</sub><br>(see <a href="#">Figure 21</a> ) |      | 5    | 20   | μs   |

**Figure 21. Current sense delay characteristics**

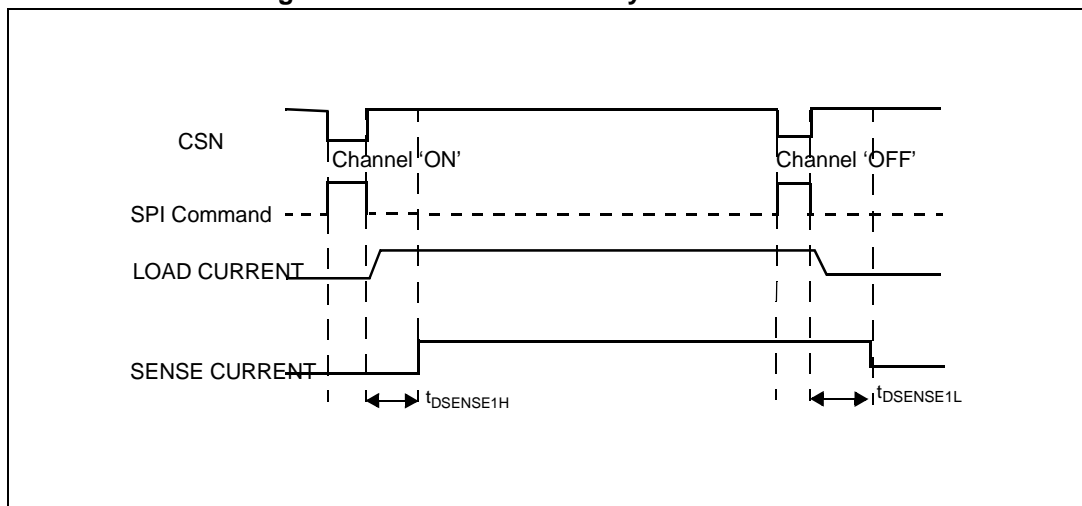




Figure 22. Switching characteristics

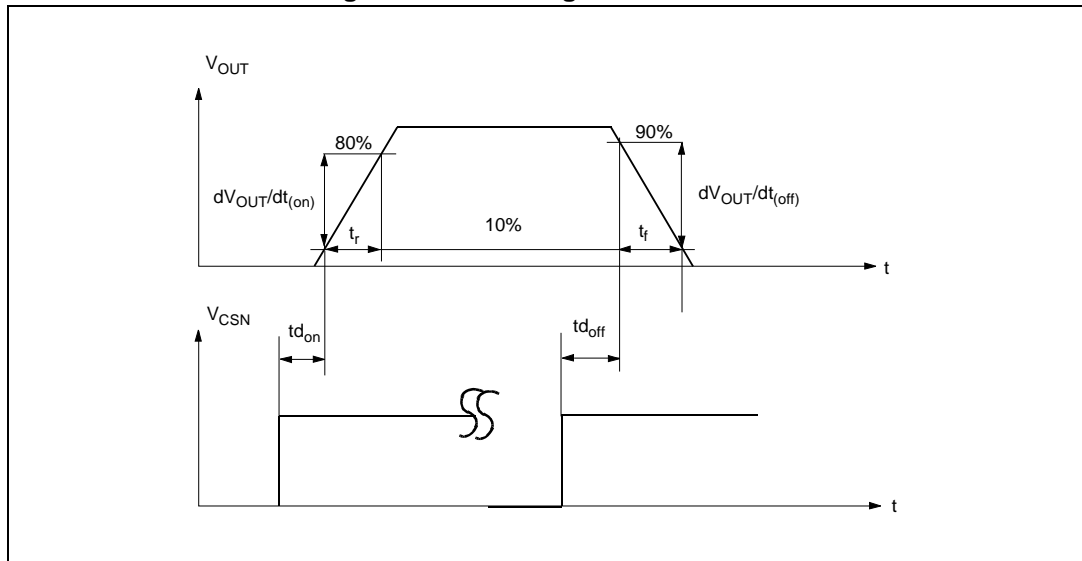


Table 60. Electrical transient requirements (part 1)

| ISO 7637-2:<br>2004(E)<br>Test Pulse | Test levels <sup>(1)</sup> |        | Number of pulses or test times | Burst cycle/pulse repetition time |        | Delays and impedance |
|--------------------------------------|----------------------------|--------|--------------------------------|-----------------------------------|--------|----------------------|
|                                      | III                        | IV     |                                |                                   |        |                      |
| 1                                    | -75 V                      | -100 V | 5000 pulses                    | 0.5 s                             | 5 s    | 2 ms, 10 Ω           |
| 2a                                   | +37 V                      | +50 V  | 5000 pulses                    | 0.2 s                             | 5 s    | 50 μs, 2 Ω           |
| 3a                                   | -100 V                     | -150 V | 1h                             | 90 ms                             | 100 ms | 0.1 μs, 50 Ω         |
| 3b                                   | +75 V                      | +100 V | 1h                             | 90 ms                             | 100 ms | 0.1 μs, 50 Ω         |
| 4                                    | -6 V                       | -7 V   | 1 pulse                        |                                   |        | 100 ms, 0.01 Ω       |
| 5b <sup>(2)</sup>                    | +65 V                      | +87 V  | 1 pulse                        |                                   |        | 400 ms, 2 Ω          |

1. The above test levels must be considered referred to  $V_{CC} = 13.5V$  except for pulse 5b.
2. Valid in case of external load dump clamp: 40V maximum referred to ground.

Table 61. Electrical transient requirements (part 2)

| ISO 7637-2:<br>2004(E)<br>test pulse | Test level results <sup>(1) (2) (3)</sup> |    |
|--------------------------------------|---|----|
|                                      | III                                       | IV |
| 1                                    | C   | C  |
| 2a                                   | C   | C  |
| 3a                                   | C   | C  |
| 3b                                   | C   | C  |

**Table 61. Electrical transient requirements (part 2)**

| ISO 7637-2:<br>2004(E)<br>test pulse | Test level results <sup>(1) (2) (3)</sup> |    |
|--------------------------------------|---|----|
|                                      | III                                       | IV |
| 4                                    | C   | C  |
| 5b <sup>(4)</sup>                    | C   | C  |

1. ISO Pulse are tested with typical application schematic (see [Figure 23](#)).
2. The above test levels must be considered referred to  $V_{CC} = 13.5\text{ V}$  except for pulse 5b.
3. The above test levels are withstood with at least one output connected to its nominal resistive load.
4. Valid in case of external load dump clamp: 40V maximum referred to ground.

**Table 62. Electrical transient requirements (part 3)**

| Class | Contents   |
|-------|--|
| C     | All functions of the device are performed as designed after exposure to disturbance.   |
| E     | One or more functions of the device are not performed as designed after exposure to disturbance and cannot be returned to proper operation without replacing the |

Figure 23. Application schematic

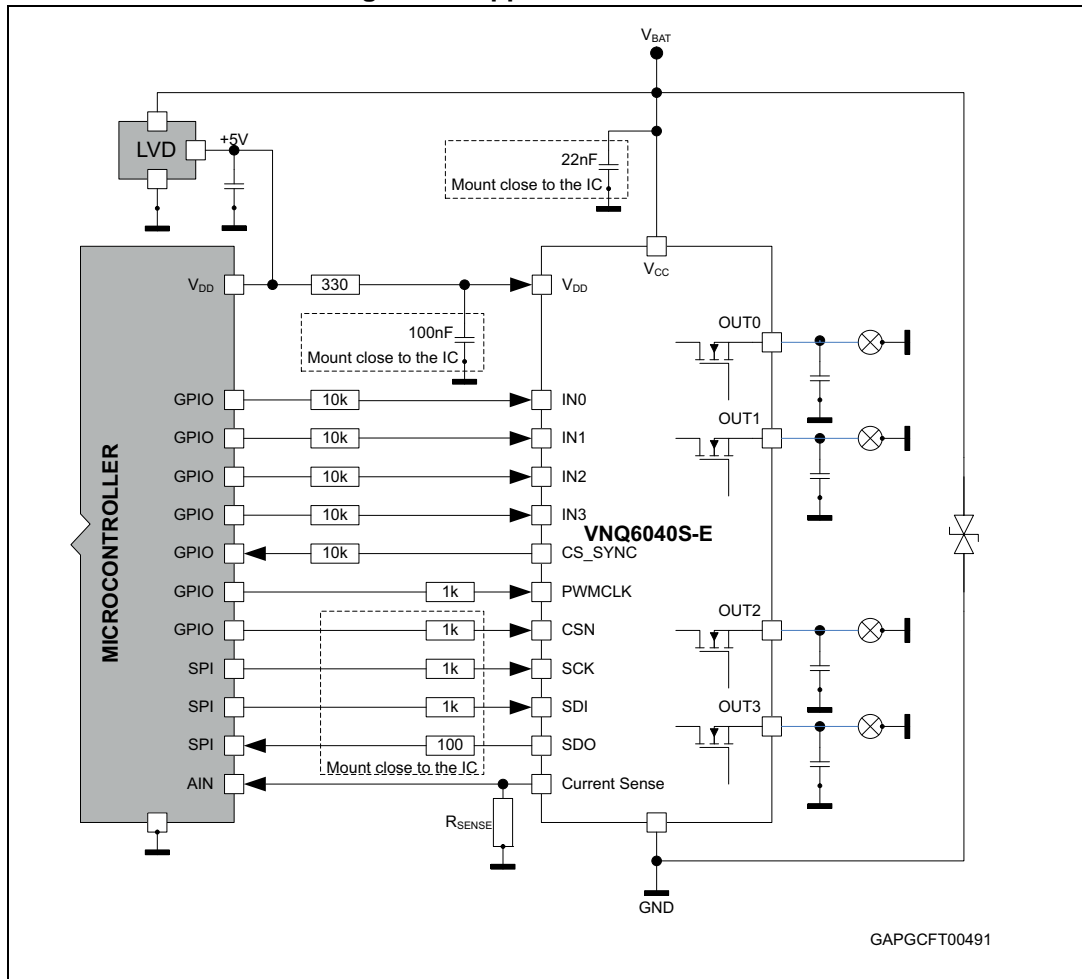


Figure 24. Typical application

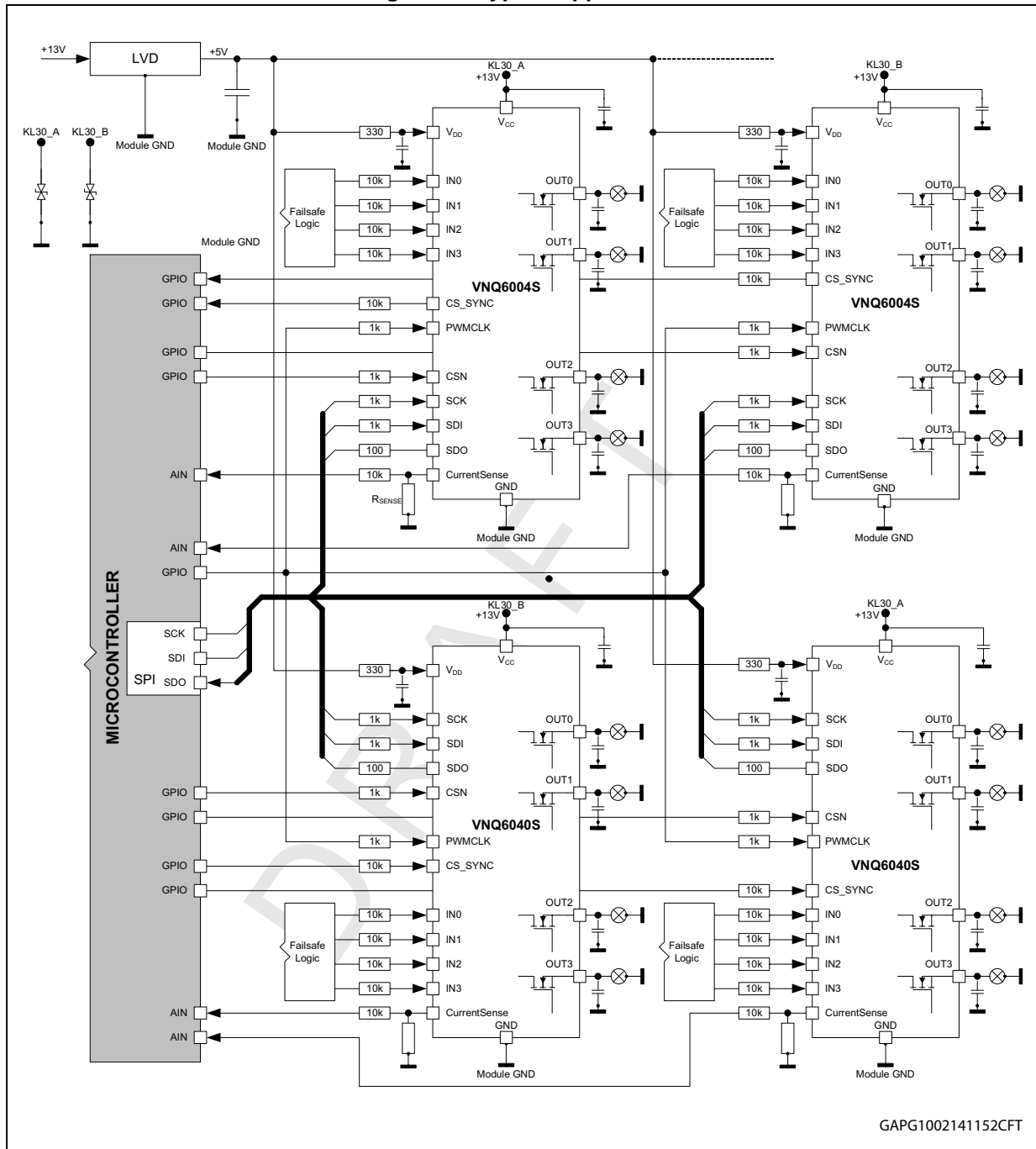
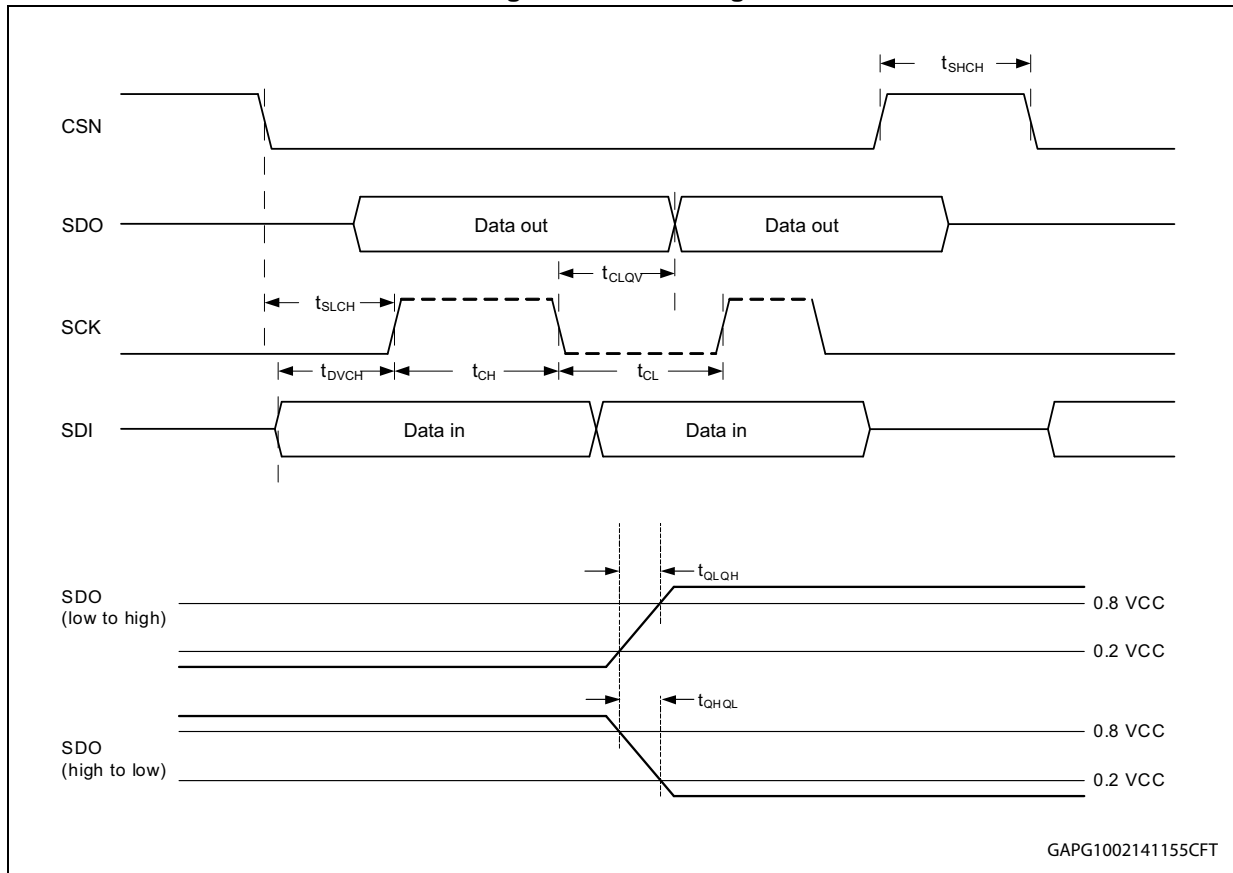
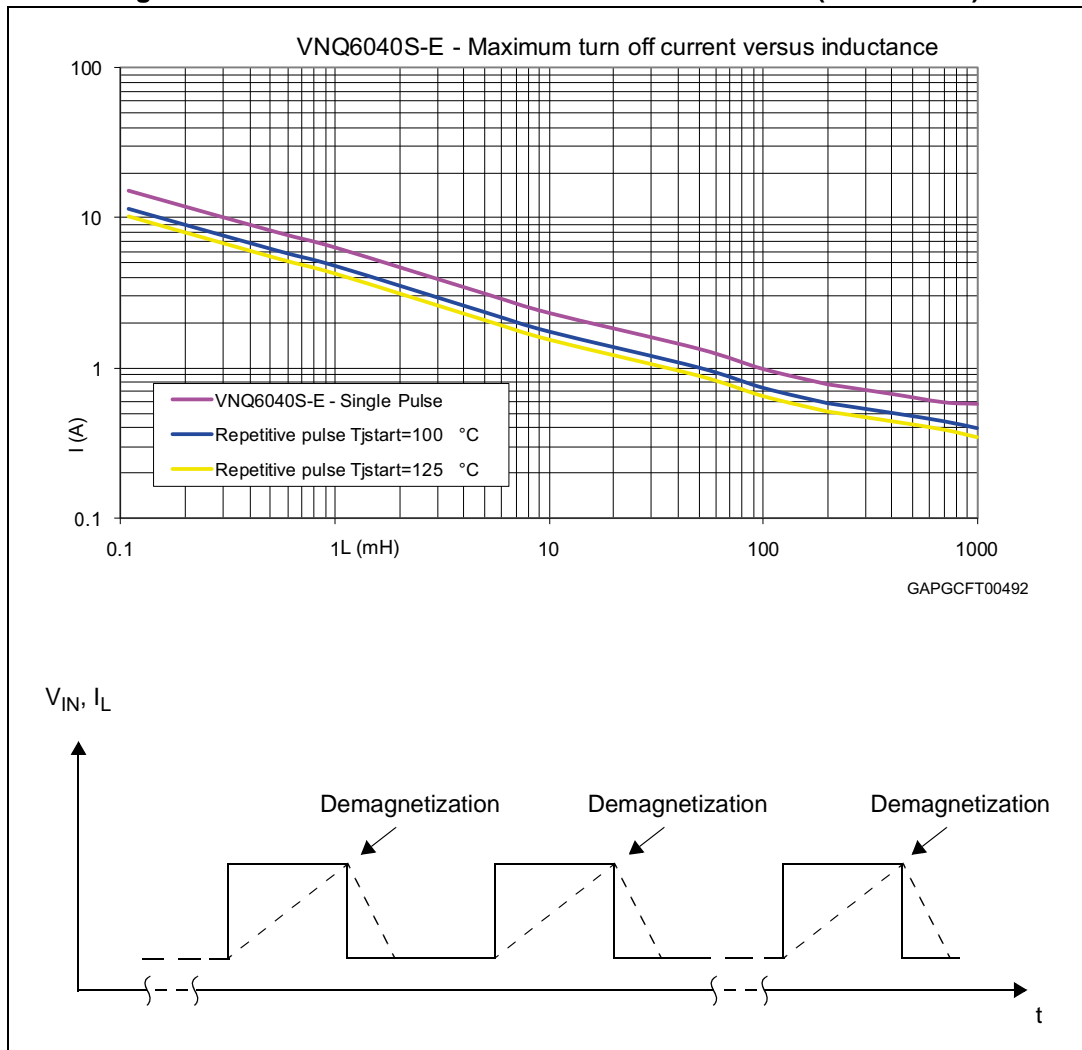


Figure 25. SPI timings



### 4.4 Maximum demagnetization energy ( $V_{CC} = 13.5\text{ V}$ )

Figure 26. Maximum turn off current versus inductance (channel 0-3)



- Values are generated with  $R_L = 0\ \Omega$ . In case of repetitive pulses,  $T_{jstart}$  (at the beginning of each demagnetization) of every pulse must not exceed the temperature specified above for curves A and B.

## 5 Package and PCB thermal data

### 5.1 PowerSSO-36 thermal data

Figure 27. PowerSSO-36 PC board

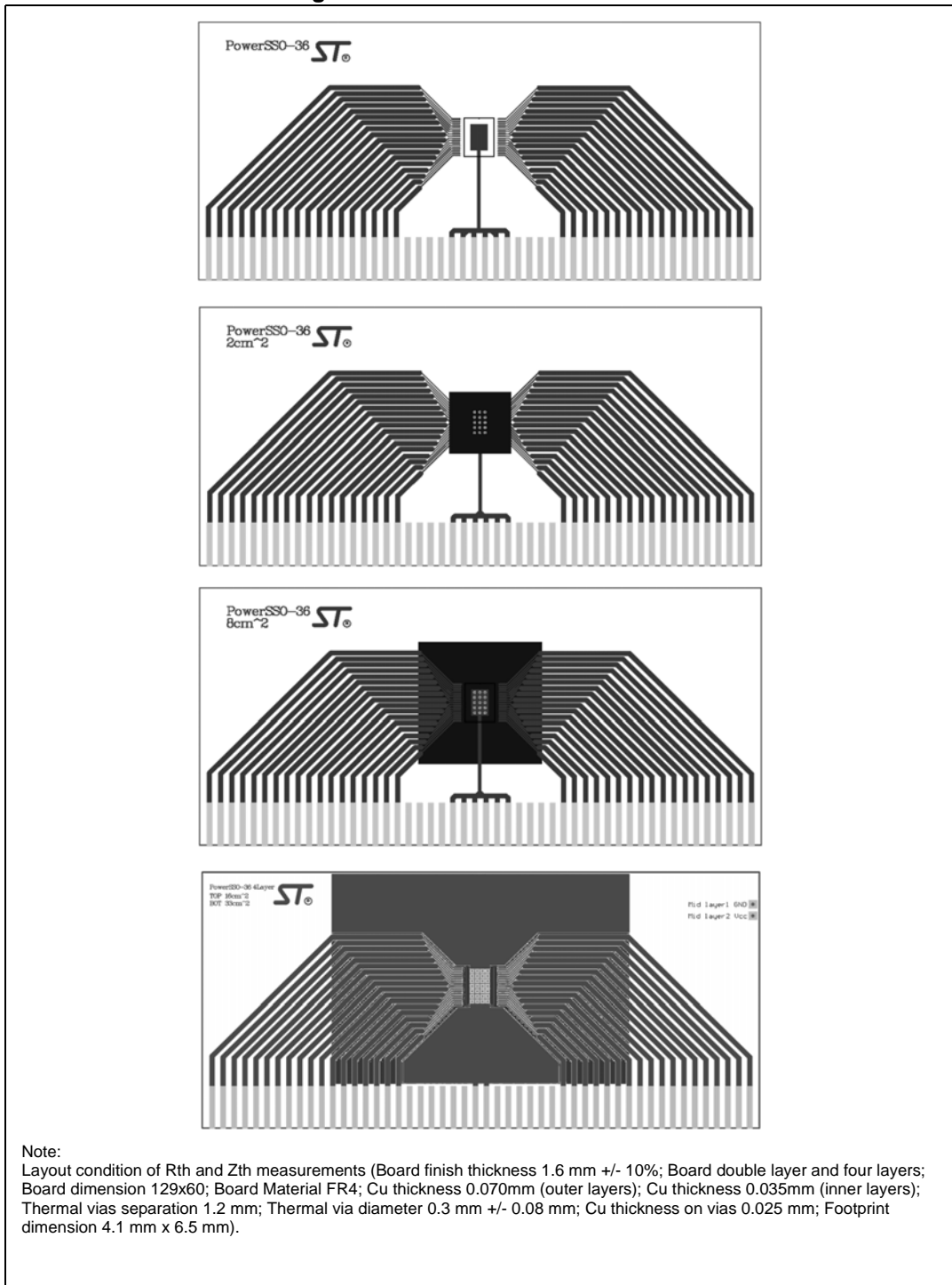


Figure 28.  $R_{thj-amb}$  vs PCB copper area in open box free air condition (one channel ON)

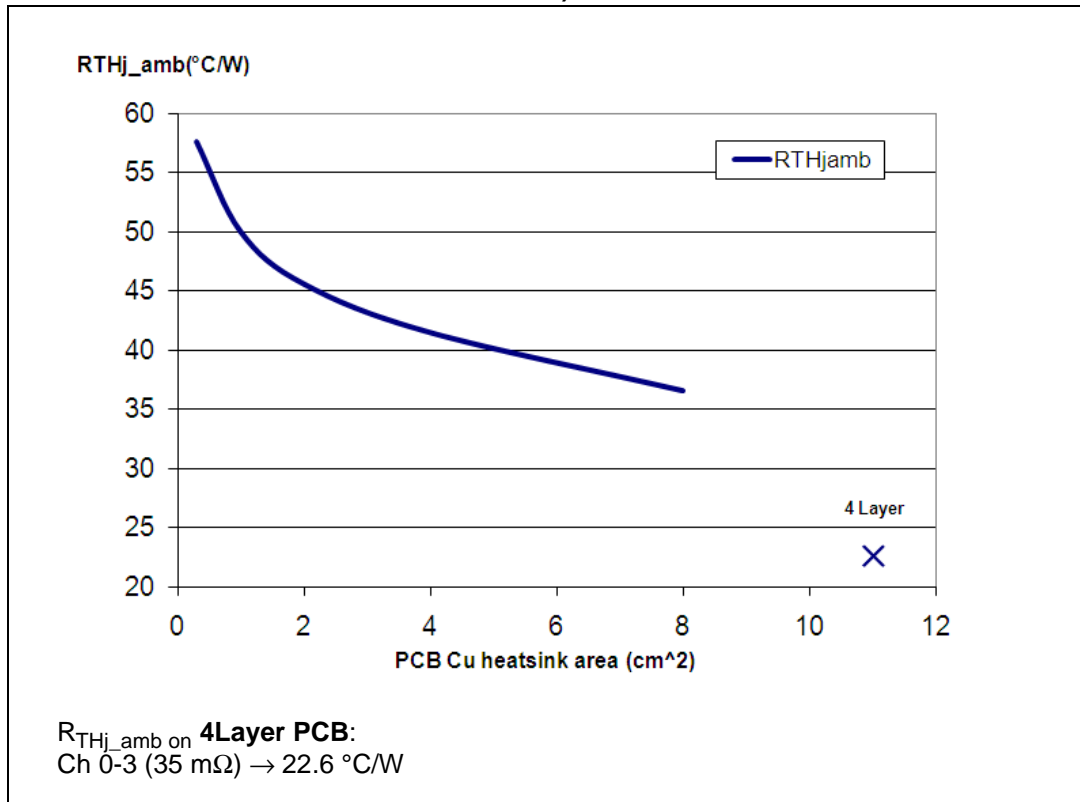


Figure 29. PowerSSO-36 Thermal impedance junction ambient single pulse (one channel ON)

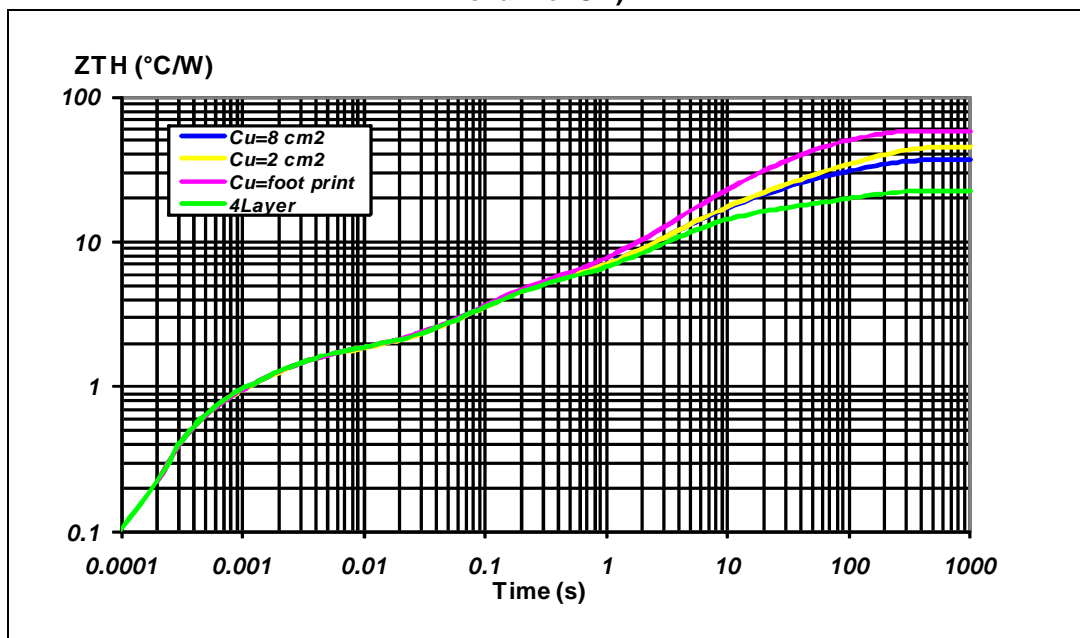
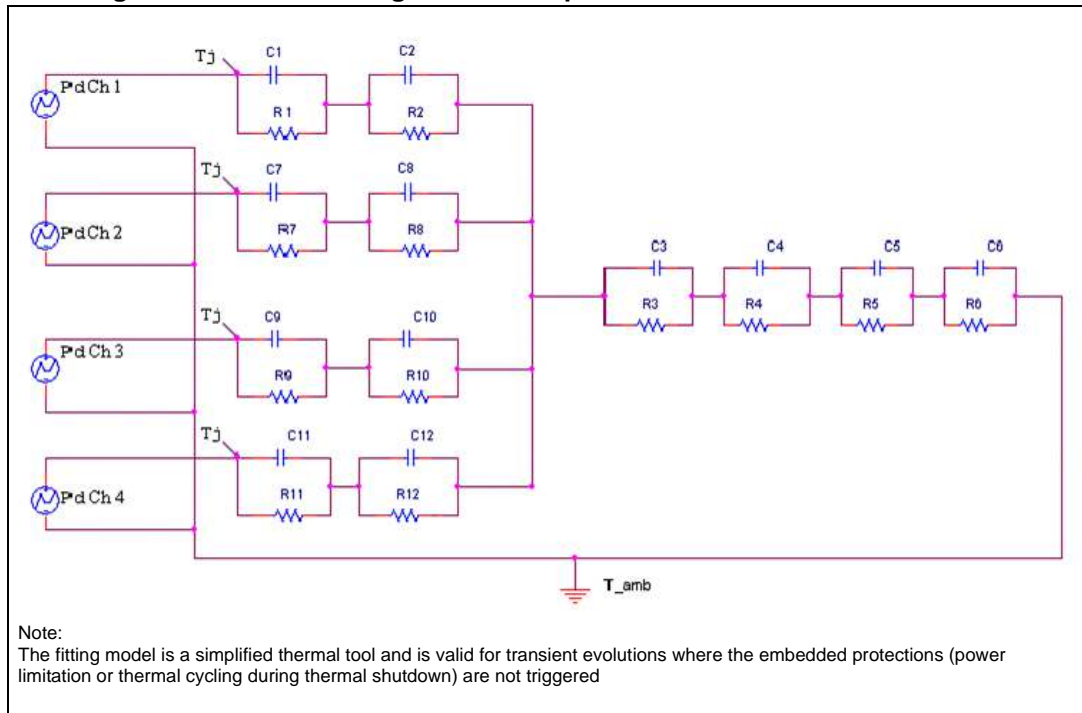




Figure 30. Thermal fitting model of a quad channel HSD in PowerSSO-36



Equation 1: pulse calculation formula

$$Z_{TH\delta} = R_{TH} \cdot \delta + Z_{THtp}(1 - \delta)$$

where  $\delta = t_p/T$

Table 63. Thermal parameter

| Area/island (cm <sup>2</sup> ) | Footprint | 2  | 8  | 4L |
|--------------------------------|-----------|----|----|----|
| R1 = R7 = R9 = R11 (°C/W)      | 0.6       |    |    |    |
| R2 = R8 = R10 = R12 (°C/W)     | 1         |    |    |    |
| R3 (°C/W)                      | 3         |    |    |    |
| R4 (°C/W)                      | 8         |    |    |    |
| R5 (°C/W)                      | 18        | 10 | 10 | 3  |
| R6 (°C/W)                      | 27        | 23 | 14 | 7  |
| C1 = C7 = C9 = C11 (W.s/°C)    | 0.0005    |    |    |    |
| C2 = C8 = C10 = C12 (W.s/°C)   | 0.002     |    |    |    |
| C3 (W.s/°C)                    | 0.04      |    |    |    |
| C4 (W.s/°C)                    | 0.5       |    |    |    |
| C5 (W.s/°C)                    | 1         | 2  | 2  | 4  |
| C6 (W.s/°C)                    | 3         | 6  | 9  | 15 |



Table 64. PowerSSO-36 mechanical data

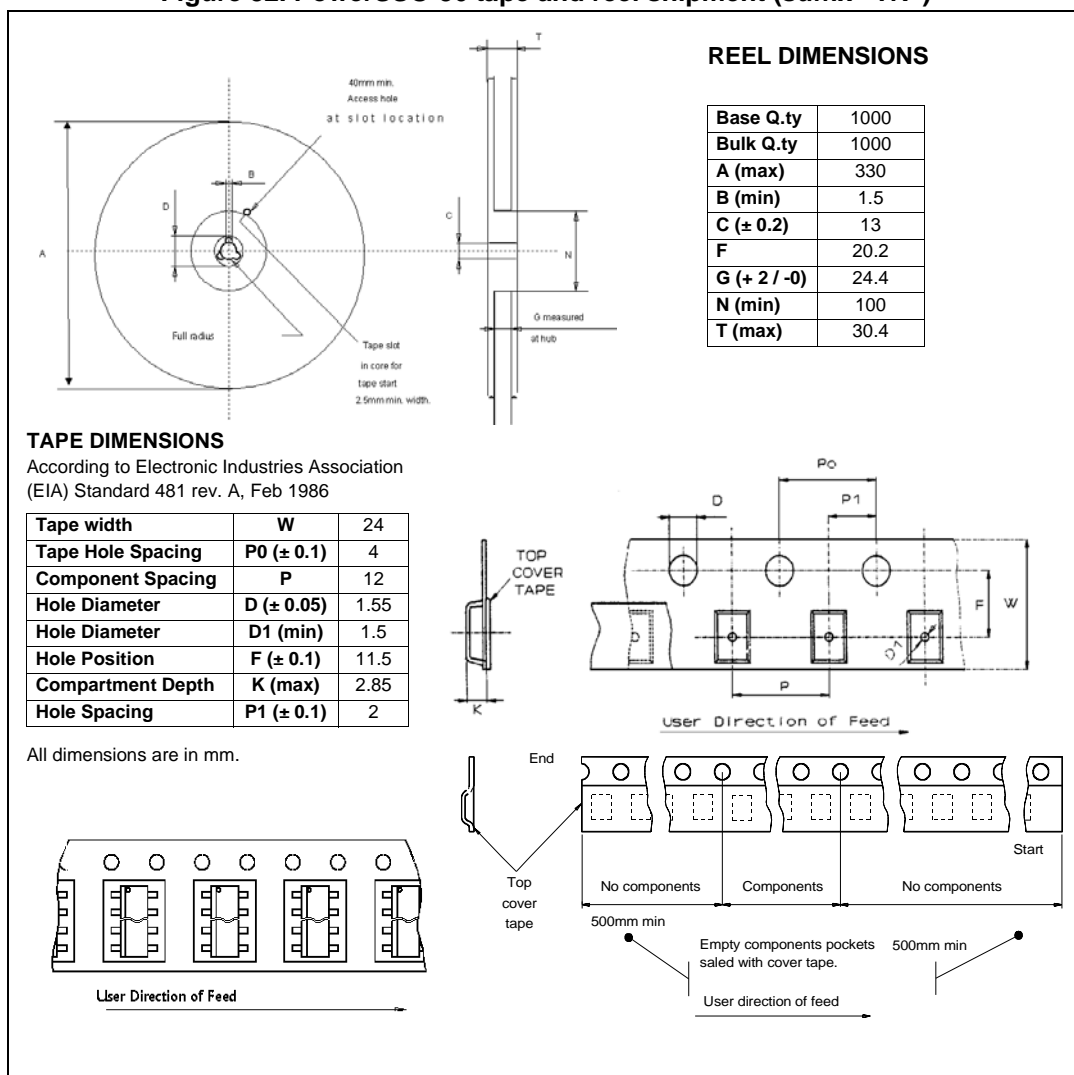
| Symbol                                | millimeters |      |      |
|---------------------------------------|-------------|------|------|
|                                       | Min         | Typ  | Max  |
| $\Theta$                              | 0°          | —    | 8°   |
| $\Theta 1$                            | 5°          | —    | 10°  |
| $\Theta 2$                            | 0°          | —    | —    |
| A                                     | 2.15        | —    | 2.45 |
| A1                                    | 0.00        | —    | 0.10 |
| A2                                    | 2.15        | —    | 2.35 |
| b                                     | 0.18        | —    | 0.32 |
| b1                                    | 0.13        | 0.25 | 0.30 |
| c                                     | 0.23        | —    | 0.32 |
| c1                                    | 0.20        | 0.20 | 0.30 |
| D                                     | 10.30 BSC   |      |      |
| D1                                    | 6.90        | —    | 7.50 |
| D2                                    | —           | 3.65 | —    |
| D3                                    | —           | 4.30 | —    |
| e                                     | 0.50 BSC    |      |      |
| E                                     | 10.30 BSC   |      |      |
| E1                                    | 7.50 BSC    |      |      |
| E2                                    | 4.30        | —    | 5.20 |
| E3                                    | —           | 2.30 | —    |
| E4                                    | —           | 2.90 | —    |
| G1                                    | —           | 1.20 | —    |
| G2                                    | —           | 1.00 | —    |
| G3                                    | —           | 0.80 | —    |
| h                                     | 0.30        | —    | 0.40 |
| L                                     | 0.55        | 0.70 | 0.85 |
| L1                                    | 1.40        |      |      |
| L2                                    | 0.25 BSC    |      |      |
| N                                     | 36          |      |      |
| R                                     | 0.30        | —    | —    |
| R1                                    | 0.20        | —    | —    |
| S                                     | 0.25        | —    | —    |
| <b>Tolerance of form and position</b> |             |      |      |
| aaa                                   | 0.20        |      |      |

Table 64. PowerSSO-36 mechanical data (continued)

| Symbol | millimeters |      |     |
|--------|-------------|------|-----|
|        | Min         | Typ  | Max |
| bbb    |             | 0.20 |     |
| ccc    |             | 0.10 |     |
| ddd    |             | 0.20 |     |
| eee    |             | 0.10 |     |
| fff    |             | 0.20 |     |
| ggg    |             | 0.15 |     |

### 6.3 Packing information

Figure 32. PowerSSO-36 tape and reel shipment (suffix "TR")



## 7 Order codes

Table 65. Device summary

| Package     | Order codes |               |
|-------------|-------------|---------------|
|             | Tube        | Tape and reel |
| PowerSSO-36 | —           | VNQ6040STR-E  |

## 8 Revision history

**Table 66. Document revision history**

| Date        | Revision | Changes   |
|-------------|----------|---|
| 01-Oct-2010 | 1        | Initial release.  |
| 05-Oct-2010 | 2        | <p><i>Table 40: Absolute maximum ratings:</i></p> <ul style="list-style-type: none"> <li>– <math>I_{DIN}</math>: splitted symbol in <math>I_{DIN\ 0,1}</math> and <math>I_{DIN\ 2,3}</math></li> <li>– <math>EHS_{0,1,2,3}</math>: updated parameter</li> </ul> <p><i>Table 42: SPI - DC characteristics:</i></p> <ul style="list-style-type: none"> <li>– <math>I_{DDstd}</math>: updated test conditions</li> </ul> <p><i>Table 46: SPI - power section:</i></p> <ul style="list-style-type: none"> <li>– <math>I_S</math>: updated test conditions</li> </ul> <p><i>Table 48: SPI - protections:</i></p> <ul style="list-style-type: none"> <li>– <math>V_{OVL}</math>: added new row</li> </ul> <p><i>Table 54: BULB - current sense (8 V &lt; VCC &lt; 18 V, channel 0,1,2,3):</i></p> <ul style="list-style-type: none"> <li>– <math>t_{DSENSE1H}</math>: updated maximum value</li> </ul> <p><i>Section 2.2.3: Protections</i></p> <ul style="list-style-type: none"> <li>– Updated section <i>Over load</i></li> </ul> <p>Updated following figures:</p> <ul style="list-style-type: none"> <li>– <i>Figure 23: Application schematic</i></li> <li>– <i>Figure 23: Application schematic</i></li> <li>– <i>Figure 26: Maximum turn off current versus inductance (channel 0-3)</i></li> </ul>   |
| 06-Oct-2010 | 3        | <p><i>Table 54: BULB - current sense (8 V &lt; VCC &lt; 18 V, channel 0,1,2,3):</i></p> <ul style="list-style-type: none"> <li>– <math>t_{DSENSE1H}</math>: updated maximum value</li> </ul> <p><i>Table 59: LED - current sense (8 V &lt; VCC &lt; 18 V, channel 0,1,2,3):</i></p> <ul style="list-style-type: none"> <li>– <math>t_{DSENSE1H}</math>: updated maximum value</li> </ul>  |
| 31-Oct-2011 | 4        | <p>Updated <i>Table 7: Nominal open-load thresholds</i></p> <p>Updated <i>Table 9: Current sense ratio</i></p> <p><i>Table 37: Over load status register:</i></p> <ul style="list-style-type: none"> <li>– <math>OVLSR0, OVLSR1, OVLSR2, OVLSR3</math>: updated content</li> </ul> <p><i>Table 40: Absolute maximum ratings:</i></p> <ul style="list-style-type: none"> <li>– <math>EHS_{0,1,2,3}</math>: removed row</li> </ul> <p><i>Table 53: BULB - protections and diagnosis:</i></p> <ul style="list-style-type: none"> <li>– <math>I_{limH\ Ch_{0,1,2,3}}</math>: updated max value</li> <li>– <math>V_{DEMAG}</math>: removed test condition</li> </ul> <p><i>Table 54: BULB - current sense (8 V &lt; VCC &lt; 18 V, channel 0,1,2,3):</i></p> <ul style="list-style-type: none"> <li>– <math>K_0, K_1, K_2, K_3</math>: updated min, typ and max value</li> </ul> <p><i>Table 58: LED - protections and diagnosis:</i></p> <ul style="list-style-type: none"> <li>– <math>I_{limH\ Ch_{0,1,2,3}}</math>: updated min and max values</li> <li>– <math>V_{DEMAG}</math>: removed row</li> </ul> <p><i>Table 59: LED - current sense (8 V &lt; VCC &lt; 18 V, channel 0,1,2,3):</i></p> <ul style="list-style-type: none"> <li>– <math>K_0, K_1, K_2, K_3</math>: updated min, typ and max value</li> </ul> <p>Updated <i>Figure 23: Application schematic</i></p> <p>Updated <i>Figure 26: Maximum turn off current versus inductance (channel 0-3)</i></p> |

Table 66. Document revision history (continued)

| Date         | Revision | Changes  |
|--------------|----------|--|
| 15-Dec-2011  | 5        | <p>Updated <a href="#">Table 7: Nominal open-load thresholds</a></p> <p><a href="#">Table 46: SPI - power section:</a></p> <ul style="list-style-type: none"> <li>– added <math>V_{\text{DEMAG}}</math> row</li> </ul> <p><a href="#">Table 53: BULB - protections and diagnosis:</a></p> <ul style="list-style-type: none"> <li>– removed <math>V_{\text{DEMAG}}</math> row</li> </ul> <p><a href="#">Table 54: BULB - current sense (8 V &lt; VCC &lt; 18 V, channel 0,1,2,3):</a></p> <ul style="list-style-type: none"> <li>– <math>K_0, K_1, K_2, K_3</math>: updated min, typ and max value</li> </ul> <p><a href="#">Table 59: LED - current sense (8 V &lt; VCC &lt; 18 V, channel 0,1,2,3):</a></p> <ul style="list-style-type: none"> <li>– <math>K_0, K_1, K_2, K_3</math>: updated min, typ and max value</li> </ul> <p>Updated <a href="#">Figure 23: Application schematic</a></p> <p>Added following tables:</p> <ul style="list-style-type: none"> <li>– <a href="#">Table 60: Electrical transient requirements (part 1)</a></li> <li>– <a href="#">Table 61: Electrical transient requirements (part 2)</a></li> <li>– <a href="#">Table 62: Electrical transient requirements (part 3)</a></li> </ul> <p>Updated <a href="#">Figure 26: Maximum turn off current versus inductance (channel 0-3)</a></p> <p>Added <a href="#">Section 3.3.20: Minimum duty cycle vs frequency</a></p>                       |
| 19-July-2012 | 6        | <p>Updated <a href="#">Figure 31: PowerSSO-36™ package dimensions</a></p>  |
| 07-Nov-2012  | 7        | <p><a href="#">Table 34: Open-load ON-state status register:</a></p> <ul style="list-style-type: none"> <li>– OLONSR0: updated content</li> </ul> <p><a href="#">Table 37: Over load status register:</a></p> <ul style="list-style-type: none"> <li>– OVLSR0: updated content</li> </ul> <p>Updated <a href="#">Section 3.3.20: Minimum duty cycle vs frequency</a></p> <p><a href="#">Table 44: SPI - dynamic characteristics:</a></p> <ul style="list-style-type: none"> <li>– updated footnote</li> </ul> <p><a href="#">Table 46: SPI - power section:</a></p> <ul style="list-style-type: none"> <li>– <math>V_{\text{clamp}2}</math>: updated test conditions</li> </ul> <p><a href="#">Table 49: SPI - open-load detection (8V &lt; VCC &lt; 18 V):</a></p> <ul style="list-style-type: none"> <li>– updated <math>I_{\text{PU}}</math> parameter</li> </ul> <p><a href="#">Table 54: BULB - current sense (8 V &lt; VCC &lt; 18 V, channel 0,1,2,3):</a></p> <ul style="list-style-type: none"> <li>– <math>A_K, dA_K</math>: added rows</li> </ul> <p><a href="#">Table 59: LED - current sense (8 V &lt; VCC &lt; 18 V, channel 0,1,2,3):</a></p> <ul style="list-style-type: none"> <li>– <math>K_{\text{OL}}</math>: added row</li> <li>– <math>t_{\text{DSENSE1H}}</math>: updated max value</li> </ul> <p>Updated <a href="#">Figure 24: Typical application</a> and <a href="#">Figure 25: SPI timings</a></p> |
| 21-Nov-2012  | 8        | <p>Updated <a href="#">Features list</a></p> <p><a href="#">Table 32: General status register:</a></p> <ul style="list-style-type: none"> <li>– PWMLOW: updated content</li> </ul> <p><a href="#">Table 54: BULB - current sense (8 V &lt; VCC &lt; 18 V, channel 0,1,2,3)</a></p> <ul style="list-style-type: none"> <li>– <math>t_{\text{DSENSE1H}}, t_{\text{DSENSE1L}}</math>: updated parameter and test conditions</li> </ul> <p><a href="#">Table 59: LED - current sense (8 V &lt; VCC &lt; 18 V, channel 0,1,2,3):</a></p> <ul style="list-style-type: none"> <li>– <math>t_{\text{DSENSE1H}}</math>: updated max value, parameter and test conditions</li> <li>– <math>t_{\text{DSENSE1L}}</math>: updated parameter and test conditions</li> </ul>  |
| 18-Sep-2013  | 9        | Updated Disclaimer   |

Table 66. Document revision history (continued)

| Date        | Revision | Changes  |
|-------------|----------|--|
| 14-Feb-2014 | 10       | <p><i>Table 40: Absolute maximum ratings</i></p> <p>– <math>V_{SDI,CSN,SCK}</math>, <math>-V_{SDI,CSN,SCK}</math>: removed rows</p> <p><i>Table 42: SPI - DC characteristics</i></p> <p>– <math>V_{SDI\_CL}</math>, <math>V_{SCK\_CL}</math>, <math>V_{CSN\_CL}</math>: added rows</p> |
| 23-Mar-2015 | 11       | <p><i>Table 44: SPI - dynamic characteristics:</i></p> <p>– <math>t_{SHCH}</math>: updated value</p> <p>Updated <i>Chapter 6: Package information</i></p> <p>Removed <i>Figure: PowerSSO-36 tube shipment (no suffix)</i></p> <p>Updated <i>Table 65: Device summary</i></p>           |



**IMPORTANT NOTICE – PLEASE READ CAREFULLY**

STMicroelectronics NV and its subsidiaries ("ST") reserve the right to make changes, corrections, enhancements, modifications, and improvements to ST products and/or to this document at any time without notice. Purchasers should obtain the latest relevant information on ST products before placing orders. ST products are sold pursuant to ST's terms and conditions of sale in place at the time of order acknowledgement.

Purchasers are solely responsible for the choice, selection, and use of ST products and ST assumes no liability for application assistance or the design of Purchasers' products.

No license, express or implied, to any intellectual property right is granted by ST herein.

Resale of ST products with provisions different from the information set forth herein shall void any warranty granted by ST for such product.

ST and the ST logo are trademarks of ST. All other product or service names are the property of their respective owners.

Information in this document supersedes and replaces information previously supplied in any prior versions of this document.

© 2015 STMicroelectronics – All rights reserved