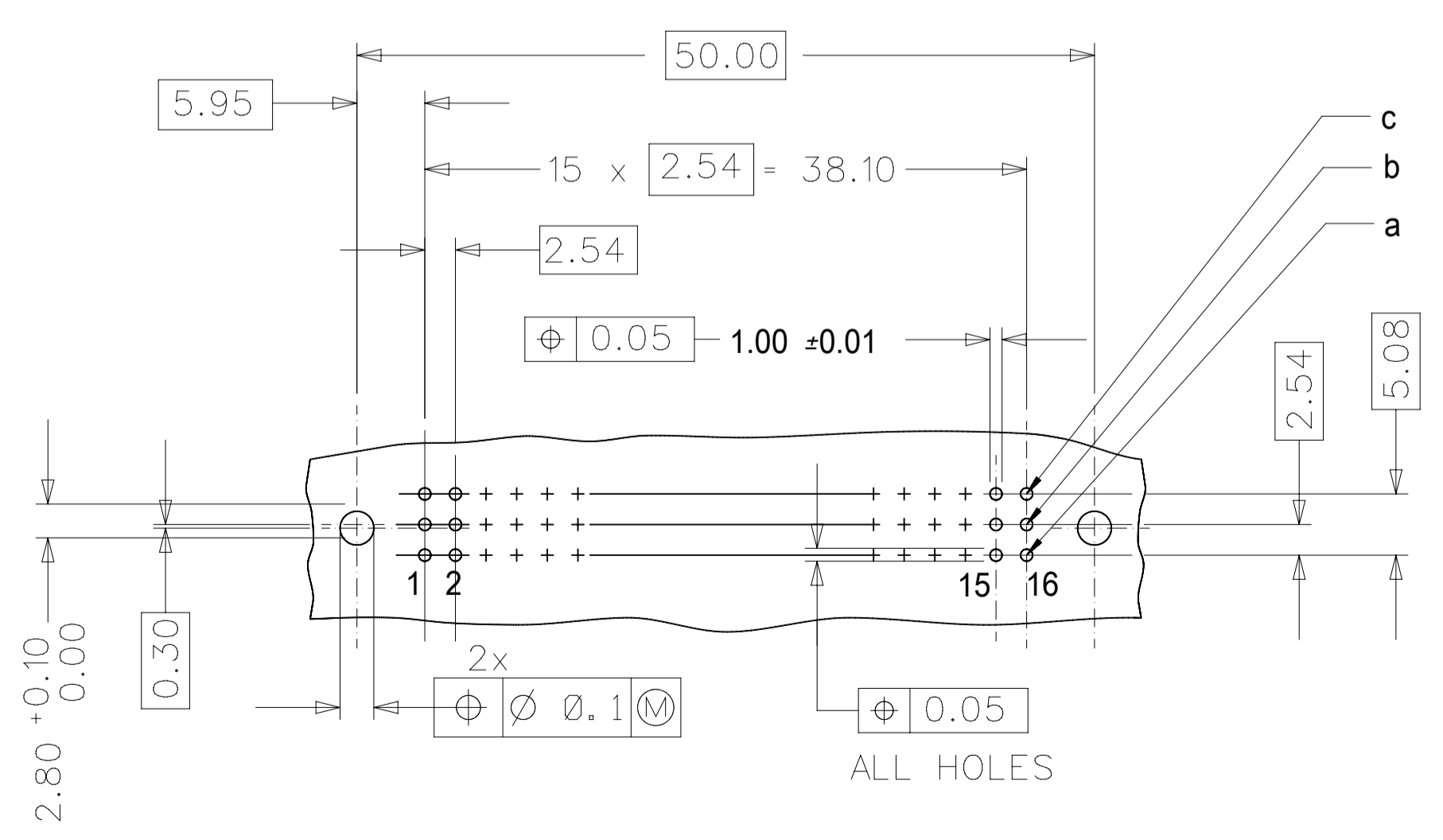
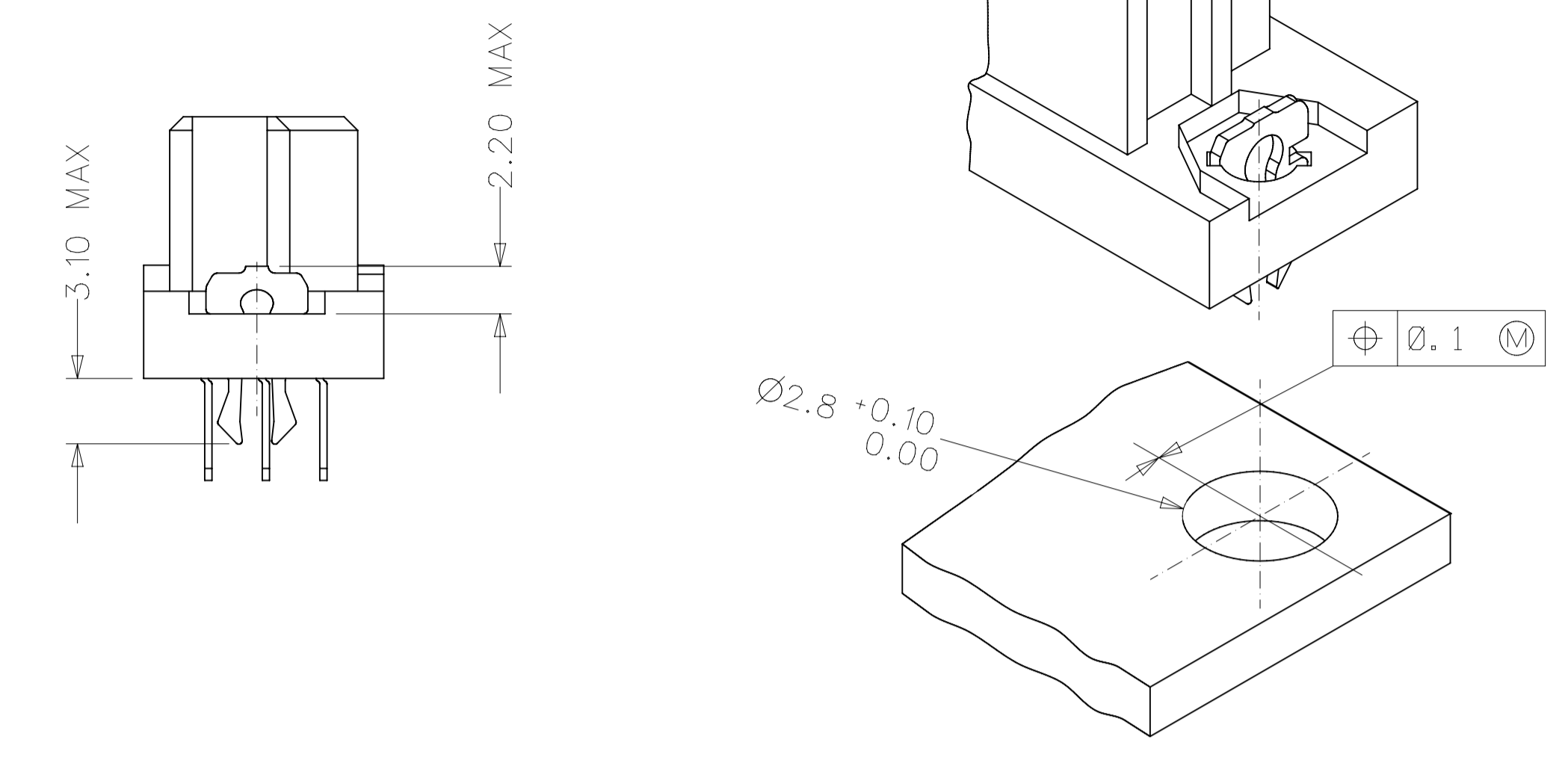


RECOMMENDED PCB LAYOUT  
COMPONENT SIDE



WITH MOUNTING CLIPS



- NOTES:
- MATERIALS: THERMOPLASTIC POLYESTER, GLASS FILLED, UL94V-0. COLOUR: PEBBLE GREY RAL 7032  
TERMINAL - PHOSPHOR BRONZE  
MOUNTING CLIP: STEEL
  - FINISH: TERMINAL:-  
CONTACT AREA  
1. PERFORMANCE LEVEL 1: SELECTIVE GOLD (Au), THICKNESS = 1.1 MICROMETER OVER NICKEL, THICKNESS = 1.5 MICROMETER  
2. PERFORMANCE LEVEL 2: SELECTIVE GOLD (Au), THICKNESS = 0.6 MICROMETER OVER NICKEL, THICKNESS = 1.5 MICROMETER  
3. PERFORMANCE LEVEL 3: SELECTIVE GOLD (Au), THICKNESS = 0.3 MICROMETER OVER NICKEL, THICKNESS = 1.5 MICROMETER  
TERMINATION AREA:  
SELECTIVE TIN, THICKNESS = 5 MICROMETER OVER NICKEL, THICKNESS = 1.5 MICROMETER OVERALL
  - MOUNTING CLIP:-  
TIN (Sn), THICKNESS = 5-10 MICROMETER, OVER NICKEL (Ni), THICKNESS = 2.5 MICROMETER
  - FOR NON MOUNTING CLIP OPTION, CONNECTOR TO BE SECURED WITH RIVETS: 2 TUBULAR RIVETS 2.5 x 0.3 ... DIN 7340  
SCREWS: 2 CHEESEHEAD SCREWS M2.5 x .... DIN 84 AND 2 HEXAGONAL NUTS M2.5 DIN 934
  - MATERIAL No, BATCH CODE, UL AND CSA MARKING TO BE PRINTED ON THE CONNECTOR.
  - CUT FACES OF TIP WITHOUT PLATING PERMITTED.
  - PRODUCT SPECIFICATION PS-85042-0001

RoHS COMPLIANT

THIS DRAWING CONTAINS INFORMATION THAT IS PROPRIETARY TO MOLEX ELECTRONIC TECHNOLOGIES, LLC AND SHOULD NOT BE USED WITHOUT WRITTEN PERMISSION											
DIMENSION UNITS		SCALE		CURRENT REV DESC:							
mm		1:1									
GENERAL TOLERANCES (UNLESS SPECIFIED)				EC NO: 624787		2019/05/17		ASSY DIN41612 C/2 FEMALE 48 POS 1.0MM PCB DIA			
4 PLACES ±		±		DRWN: RPRABHUM		2019/11/11		PRODUCT CUSTOMER DRAWING			
3 PLACES ±		0.005 ±		CHK'D: GGA		2019/11/11		DOCUMENT NUMBER			
2 PLACES ±		0.1 ±		APPR: GGA		2019/11/11		SD-85042-002		DOC TYPE   DOC PART   REVISION	
1 PLACE ±		0.15 ±		INITIAL REVISION:				PSD		001   B2	
0 PLACES ±		±		DRWN: SHANKAR		2006/04/25		MATERIAL NUMBER		CUSTOMER	
ANGULAR TOL ±		2.0 °		APPR: SSUDHIR		2006/04/25		SEE SHEET 2		GENERAL MARKET	
DRAFT WHERE APPLICABLE MUST REMAIN WITHIN DIMENSIONS				THIRD ANGLE PROJECTION		DRAWING		SERIES		SHEET NUMBER	
						A1-SIZE		85042		1 OF 2	

MATERIAL No	MOLEX ENG No	PERF LEVEL	PLATING	CONTACT SEQUENCE/ROW	DIM "L" mm	MOUNTING CLIP	FLUX PROOF
850424294	85042-4294	2	Au+Ni	1,2,3....16 a+b+c	2.9	YES	NO
850429025	85042-9025	2	Au+Ni	1,2,3....16 a+b+c	4.5	YES	NO
850420048	85042-0048	2	Au+Ni	1,2,3....16 a+c	4.5	NO	NO
850420086	85042-0086	2	Au+Ni	1,2,3....16 a+b+c	4.5	NO	NO
850421330	85042-1330	1	Au+Ni	1,2,3....16 a+b+c	4.5	NO	NO
850424268	85042-4268	2	Au+Ni	1,2,3....16 a+b+c	2.9	NO	NO
850424282	85042-4282	2	Au+Ni	1,2,3....16 a+c	2.9	YES	NO
850426098	85042-6098	3	Au+Ni	1,2,3....16 a+b+c	2.9	NO	NO
850429022	85042-9022	2	Au+Ni	1,2,3....16 a+c	2.9	YES	NO

View on mating side

A	A	A	A	A	A	A	A	A	A	A	A	A	A	A	A	A	A
A	A	A	A	A	A	A	A	A	A	A	A	A	A	A	A	A	A
1	2	3	4	5	6	7	8	9	10	11	12	13	14	15	16		

View on mating side

A	A	A	A	A	A	A	A	A	A	A	A	A	A	A	A	A	A
A	A	A	A	A	A	A	A	A	A	A	A	A	A	A	A	A	A
A	A	A	A	A	A	A	A	A	A	A	A	A	A	A	A	A	A
1	2	3	4	5	6	7	8	9	10	11	12	13	14	15	16		

RoHS COMPLIANT

THIS DRAWING CONTAINS INFORMATION THAT IS PROPRIETARY TO MOLEX ELECTRONIC TECHNOLOGIES, LLC AND SHOULD NOT BE USED WITHOUT WRITTEN PERMISSION									
DIMENSION UNITS <b>mm</b>		SCALE <b>1:1</b>		CURRENT REV DESC:				<b>molex</b>	
GENERAL TOLERANCES (UNLESS SPECIFIED)				EC NO: 624787					
		MM		INCH		DRWN: RPRABHUM		2019/05/17	
4 PLACES ±		±		±		CHK'D: GGA		2019/11/11	
3 PLACES ±		0.005		±		APPR: GGA		2019/11/11	
2 PLACES ±		0.1		±		INITIAL REVISION:			
1 PLACE ±		0.15		±		DRWN: SHANKAR		2006/04/25	
0 PLACES ±				±		APPR: SSUDHIR		2006/04/25	
ANGULAR TOL		±		2.0 °		DOCUMENT NUMBER			
DRAFT WHERE APPLICABLE MUST REMAIN WITHIN DIMENSIONS		THIRD ANGLE PROJECTION		DRAWING		SERIES		MATERIAL NUMBER	
				A1-SIZE		85042		SD-85042-002	
						CUSTOMER		PSD 001 B2	
						GENERAL MARKET		2 OF 2	

DOCUMENT STATUS	P1	RELEASE DATE	2019/11/11	02:36:06
-----------------	----	--------------	------------	----------