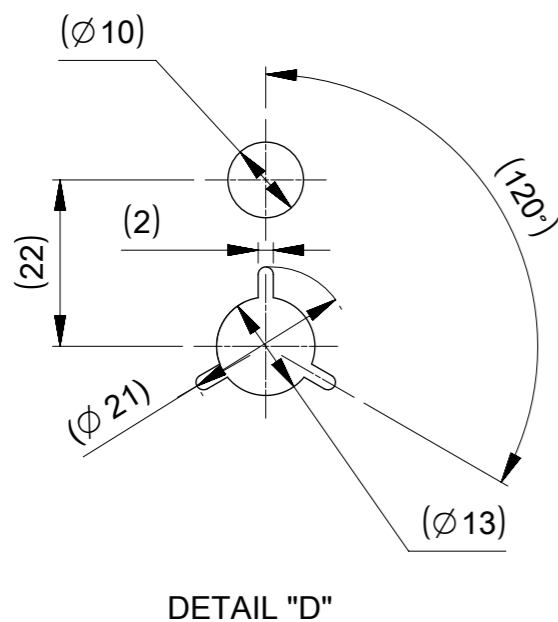
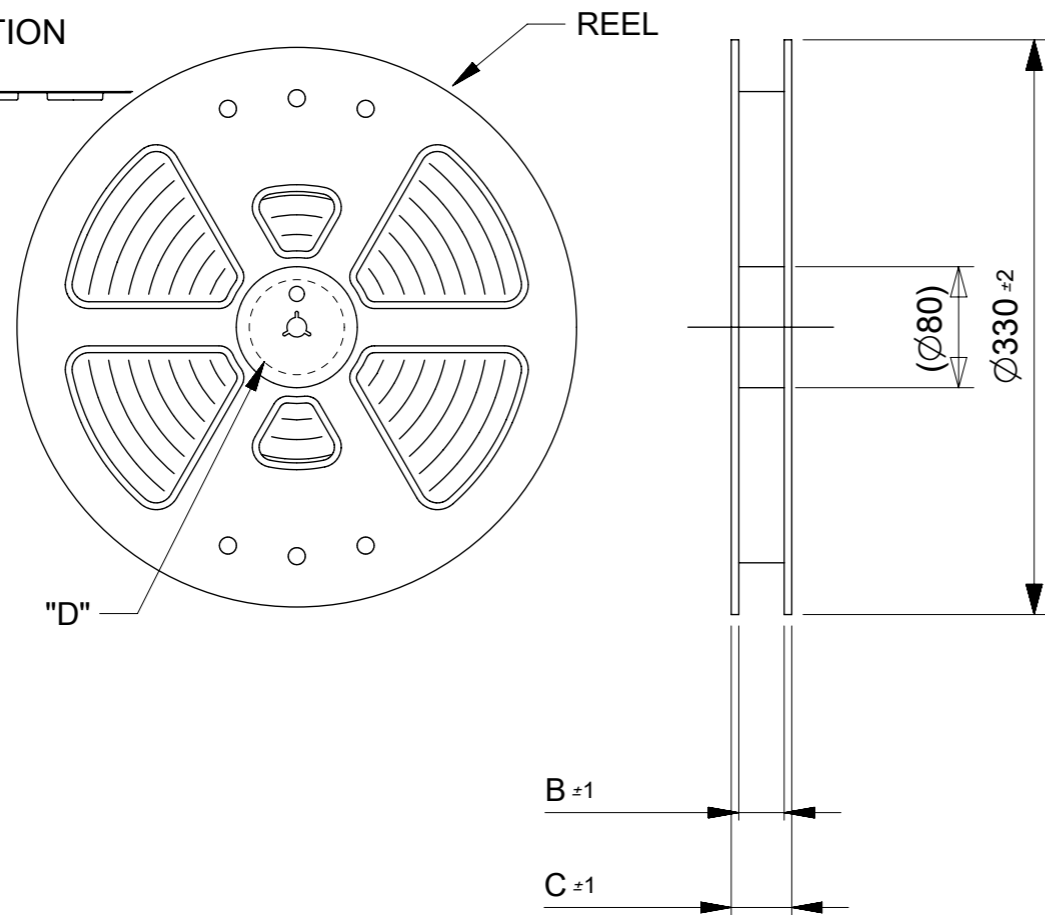


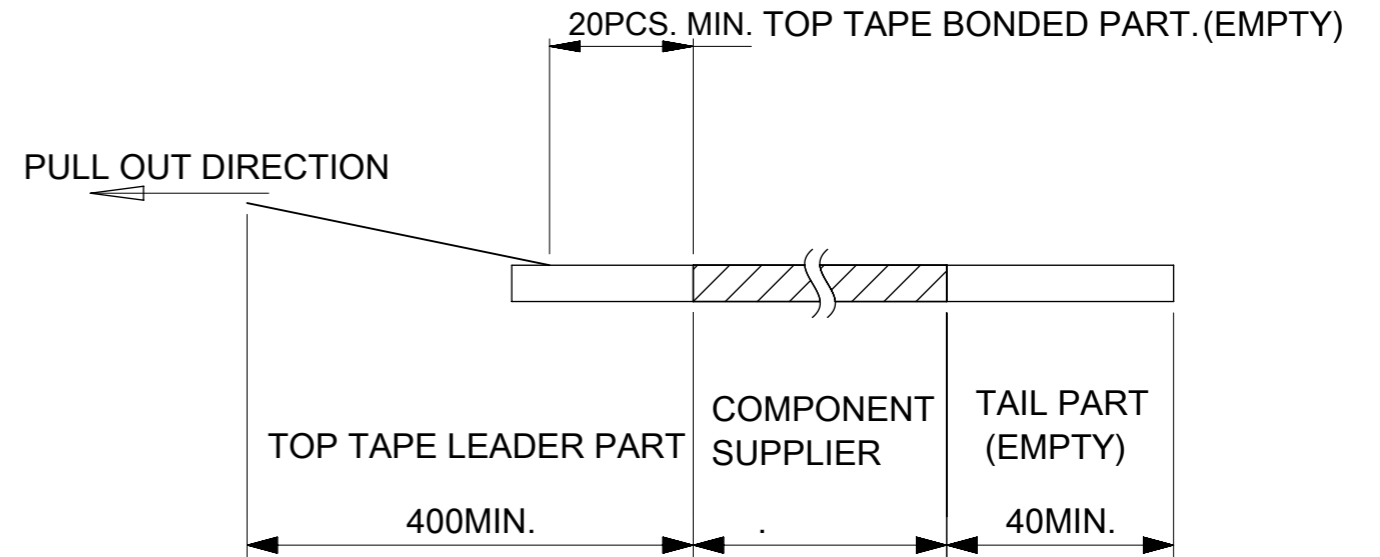
PULL OUT DIRECTION



DETAIL "D"

NOTES

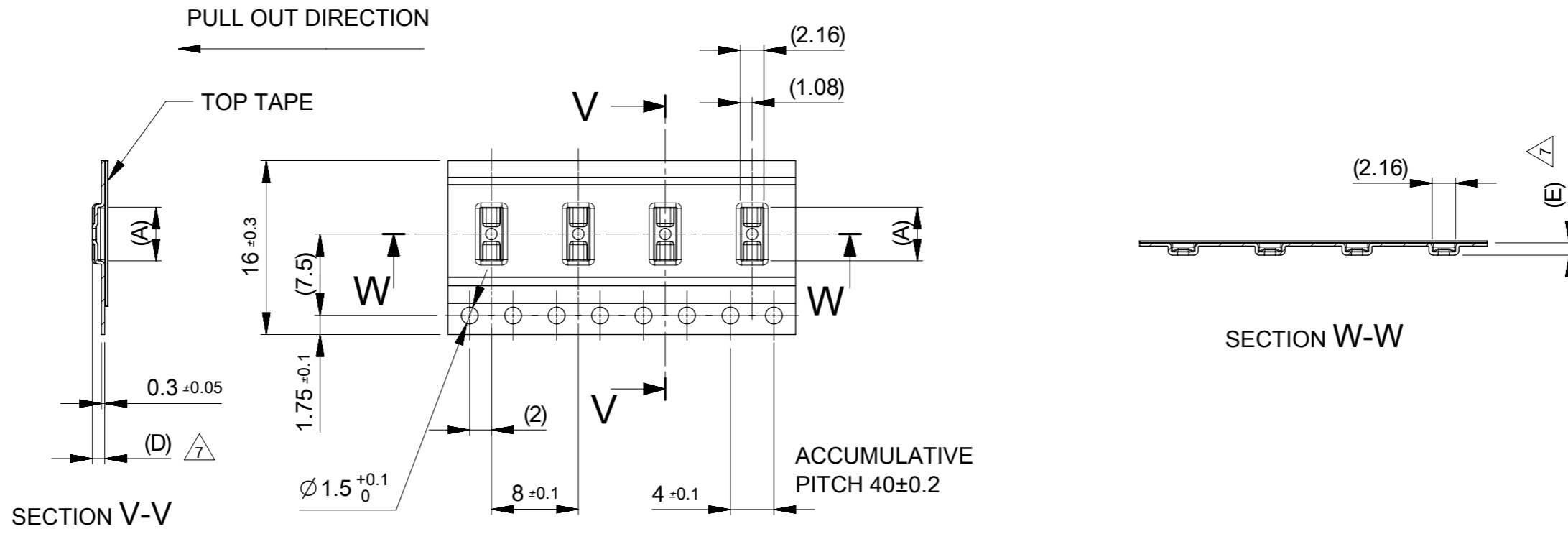
- RE DETAILED DIMENSION, SEE PRODUCT DRAWING.
- NUMBER OF CONNECTORS : 6000 PCS/REEL.
- LEAD TAPE LENGTH.



- TOP TAPE PEEL FORCE IS DEFINED BY IEC60286-3
  - MATERIAL  
CARRER TAPE :POLYSTYRENE  
TOP TAPE :PET , OTHER  
REEL :POLYSTYRENE(PS)(RECYCLE MATERIAL CONTAINED)
  - ELV AND RoHS COMPLIANT
- △ Only 6 circuit is different in this dimension.

MODEL NO. 505070-\*\*20

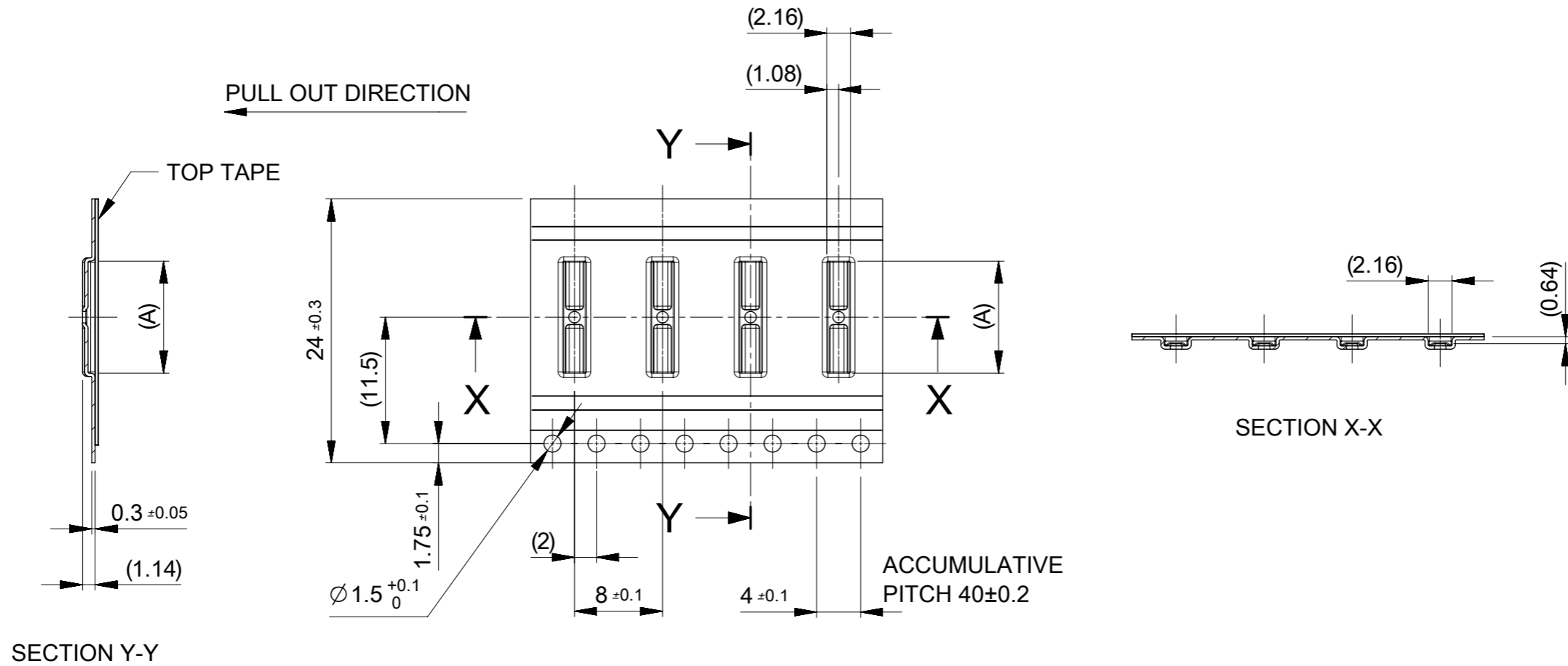
THIS DRAWING CONTAINS INFORMATION THAT IS PROPRIETARY TO MOLEX ELECTRONIC TECHNOLOGIES, LLC AND SHOULD NOT BE USED WITHOUT WRITTEN PERMISSION									
REVISED	EC NO: 110631	2016/11/17	GENERAL TOLERANCES (UNLESS SPECIFIED)		DIMENSION UNITS	SCALE	<b>molex</b> <sup>®</sup>		
	DRWN: TSOMEYA	2016/11/28	ANGULAR TOL ± 1.0 °		MM	1:5			
	CHK'D: KTANAKA03	2016/11/28	4 PLACES	± 0.01	DRWN BY	DATE	0.35 BB CONN. SSB6 RP PLUG EMBSTP PKG		
	APP: TKUSUHARA01		3 PLACES	± 0.03	STERUKI	2016/03/23			
			2 PLACES	± 0.05	CHK'D BY	DATE	PRODUCT CUSTOMER DRAWING		
			1 PLACE	± 0.1	KTANAKA03	2016/04/01			
		0 PLACES	± 0.2	APPR BY	DATE	SERIES	MATERIAL NUMBER	CUSTOMER	
		DRAFT WHERE APPLICABLE MUST REMAIN WITHIN DIMENSIONS		DRAWING SIZE	THIRD ANGLE PROJECTION	505070	SEE CHART	GENERAL	
B	REV			A3		DOCUMENT NUMBER	DOC TYPE	DOC PART	SHEET NUMBER
						5050700000	PSD	001	1 OF 3



16	0.64	1.14	21.4	17.4	6.68	505070-3020	○	---	30	
					5.63	505070-2420	○	---	24	
					5.28	505070-2220	○	---	22	
					4.93	505070-2020	○	---	20	
					4.58	505070-1820	---	---	18	
					4.23	505070-1620	○	---	16	
					3.88	505070-1420	○	---	14	
					3.53	505070-1220	○	---	12	
					3.18	505070-1020	○	---	10	
					2.78	505070-0820	---	○	8	
					2.43	505070-0620	○	---	6	
キャリアテープ幅 CARRIER TAPE WIDTH		(E)	(D)	C	B	(A)	MATERIAL No.	HIGH VOL. TOOL	LOW VOL. TOOL	CIRCUIT
							SAMPLE PREPARATION			

THIS DRAWING CONTAINS INFORMATION THAT IS PROPRIETARY TO MOLEX ELECTRONIC TECHNOLOGIES, LLC AND SHOULD NOT BE USED WITHOUT WRITTEN PERMISSION

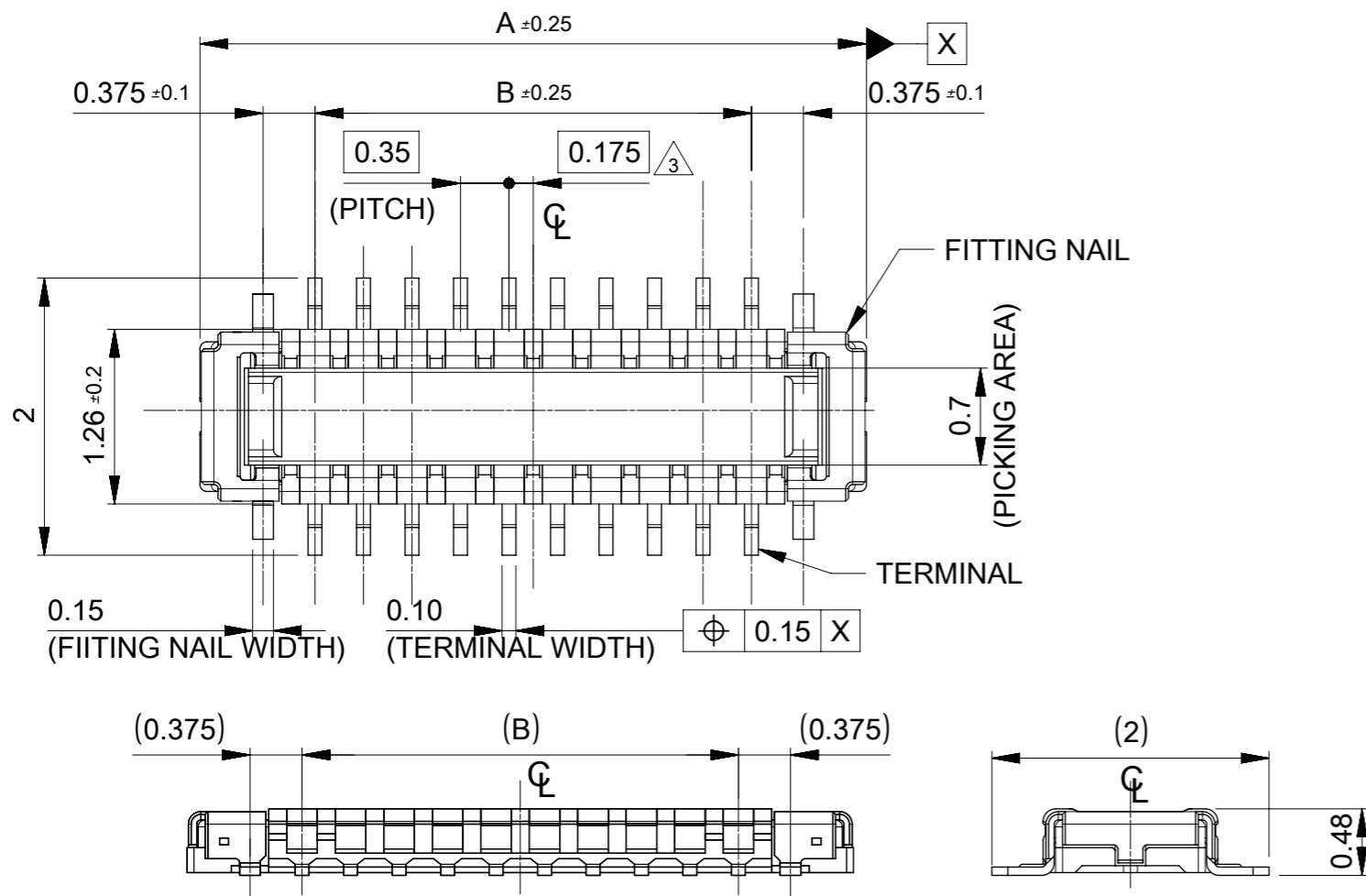
EC NO: 110631 DRWN: TSOMEYA CHK'D: KTANAKA03 APPR: TKUSUHARA01	2016/11/17	2016/11/28	2016/11/28	GENERAL TOLERANCES (UNLESS SPECIFIED) ANGULAR TOL ± 1.0 ° 4 PLACES ± 0.01 3 PLACES ± 0.03 2 PLACES ± 0.05 1 PLACE ± 0.1 0 PLACES ± 0.2 DRAFT WHERE APPLICABLE MUST REMAIN WITHIN DIMENSIONS	DIMENSION UNITS	SCALE		
	REVISOR	DATE	DATE		MM	2:1		
	STERUKI	2016/03/23	KTANAKA03		2016/04/01	DRWN BY		DATE
	KMORIKAWA	2016/04/01	KTANAKA03		2016/04/01	CHK'D BY		DATE
	DATE	DATE	DATE		DATE	APPR BY		DATE
B	REV	DRAWING SIZE	THIRD ANGLE PROJECTION	A3		PRODUCT CUSTOMER DRAWING SERIES: 505070 MATERIAL NUMBER: SEE CHART CUSTOMER: GENERAL DOCUMENT NUMBER: 5050700000 DOC TYPE: PSD DOC PART: 001 SHEET NUMBER: 2 OF 3		



24	29.4	25.4	12.63	505070-6420	---	---	64
			11.93	505070-6020	---	---	60
			10.88	505070-5420	○	---	54
			10.18	505070-5020	○	---	50
			9.83	505070-4820	○	---	48
			9.48	505070-4620	---	---	46
			8.78	505070-4220	○	---	42
			8.43	505070-4020	○	---	40
			7.38	505070-3420	○	---	34
キャリアテープ幅 CARRIER TAPE WIDTH	C	B	(A)	MATERIAL No.	HIGH VOL TOOL	LOW VOL TOOL	CIRCUIT
					SAMPLE PREPARATION		

THIS DRAWING CONTAINS INFORMATION THAT IS PROPRIETARY TO MOLEX ELECTRONIC TECHNOLOGIES, LLC AND SHOULD NOT BE USED WITHOUT WRITTEN PERMISSION

EC NO: 110631 DRWN: TSOMEYA CHK'D: KTANAKA03 REV APPR: TKUSUHARA01 2016/11/17 2016/11/28 2016/11/28	GENERAL TOLERANCES (UNLESS SPECIFIED)		DIMENSION UNITS	SCALE				
	ANGULAR TOL ± 1.0 °		MM	2:1				
	4 PLACES ± 0.01		DRWN BY	DATE	0.35 BB CONN. SSB6 RP PLUG EMBSTP PKG			
	3 PLACES ± 0.03		STERUKI	2016/03/23				
	2 PLACES ± 0.05		CHK'D BY	DATE				
1 PLACE ± 0.1		KTANAKA03	2016/04/01	PRODUCT CUSTOMER DRAWING				
0 PLACES ± 0.2		APPR BY	DATE					
DRAFT WHERE APPLICABLE MUST REMAIN WITHIN DIMENSIONS		KMORIKAWA	2016/04/01	SERIES	MATERIAL NUMBER	CUSTOMER		
		DRAWING SIZE	THIRD ANGLE PROJECTION	505070	SEE CHART	GENERAL		
		A3		DOCUMENT NUMBER		DOC TYPE	DOC PART	SHEET NUMBER
				5050700000		PSD	001	3 OF 3



- 1 MATERIAL  
 WAFER: LIQUID CRYSTAL POLYMER UL94V-0 (COLOR: BLACK)  
 TERMINAL: COPPER ALLOY  
 FITTING NAIL: COPPER ALLOY
- 2 PLATING  
 TERMINAL:  
 CONTACT AREA: SEPARATED GOLD PLATING (0.1 MICROMETER MINIMUM).  
 SOLDER TAIL AREA: SEPARATED GOLD PLATING.  
 UNDERPLATE: NICKEL OVERALL.  
 \*DIVIDE INTO PARTS THE GOLD PLATING OF THE CONTACT AND THE TAIL PART BY THE NICKEL PLATING.  
 FITTING NAIL:  
 CONTACT AREA: SEPARATED GOLD PLATING (0.1 MICROMETER MINIMUM).  
 SOLDER TAIL AREA: SEPARATED GOLD PLATING.  
 UNDERPLATE: NICKEL OVERALL.  
 \*DIVIDE INTO PARTS THE GOLD PLATING OF THE CONTACT AND THE TAIL PART BY THE NICKEL PLATING.  
 \*EVEN THOUGH GOLD PLATING ON THE TOP SURFACE OF NAIL MIGHT BE THIN, NO FUNCTIONAL PROBLEM.
- △<sub>3</sub> APPLY FOR (CIRCUIT/2)=EVEN.
- 4 MATE WITH :505066-\*\*10/ 505066-\*\*20
- 5 TAIL AND FITTING NAIL COPLANARITY TO BE 0.08 MAXIMUM.
- △<sub>6</sub> PROHIBITED AREA OF PATTERN WIRING AND SOLDER.  
 (FOR EACH AREA, THE WIRING THAT TOUCHES ON THE SOLDER CAN BE ATTACHED, THEN COVERED WITH A FILM TO KEEP SOLDER OUT).
- 7 ELV and RoHS COMPLIANT.

14.76	14.16	11.90	13.56	505070-7020	---	---	70
13.71	13.11	10.85	12.51	505070-6420	---	---	64
13.01	12.41	10.15	11.81	505070-6020	---	---	60
12.66	12.06	9.80	11.46	505070-5820	---	---	58
11.96	11.36	9.10	10.76	505070-5420	○	---	54
11.26	10.66	8.40	10.06	505070-5020	○	---	50
10.91	10.31	8.05	9.71	505070-4820	○	---	48
10.56	9.96	7.70	9.36	505070-4620	---	---	46
9.86	9.26	7.00	8.66	505070-4220	○	---	42
9.51	8.91	6.65	8.31	505070-4020	○	---	40
9.16	8.56	6.30	7.96	505070-3820	---	---	38
8.46	7.86	5.60	7.26	505070-3420	○	---	34
7.76	7.16	4.90	6.56	505070-3020	○	---	30
6.71	6.11	3.85	5.51	505070-2420	○	---	24
6.36	5.76	3.50	5.16	505070-2220	○	---	22
6.01	5.41	3.15	4.81	505070-2020	○	---	20
5.66	5.06	2.80	4.46	505070-1820	---	---	18
5.31	4.71	2.45	4.11	505070-1620	○	---	16
4.96	4.36	2.10	3.76	505070-1420	○	---	14
4.61	4.01	1.75	3.41	505070-1220	○	---	12
4.26	3.66	1.40	3.06	505070-1020	○	---	10
3.91	3.31	1.05	2.71	505070-0820	---	○	8
3.56	2.96	0.70	2.36	505070-0620	○	---	6
				EMBOSSED TAPE PACKAGE	HIGH VOL. TOOL	LOW VOL. TOOL	
D	C	B	A	ORDER NO.	SAMPLE PREPARATION ○: TOOLED △: WORK IN PROCESS ---: TOOLING TO BE CONFIRMED		CIRCUIT

CONNECTOR SERIES NO. : 505070-\*\*19

THIS DRAWING CONTAINS INFORMATION THAT IS PROPRIETARY TO MOLEX ELECTRONIC TECHNOLOGIES, LLC AND SHOULD NOT BE USED WITHOUT WRITTEN PERMISSION

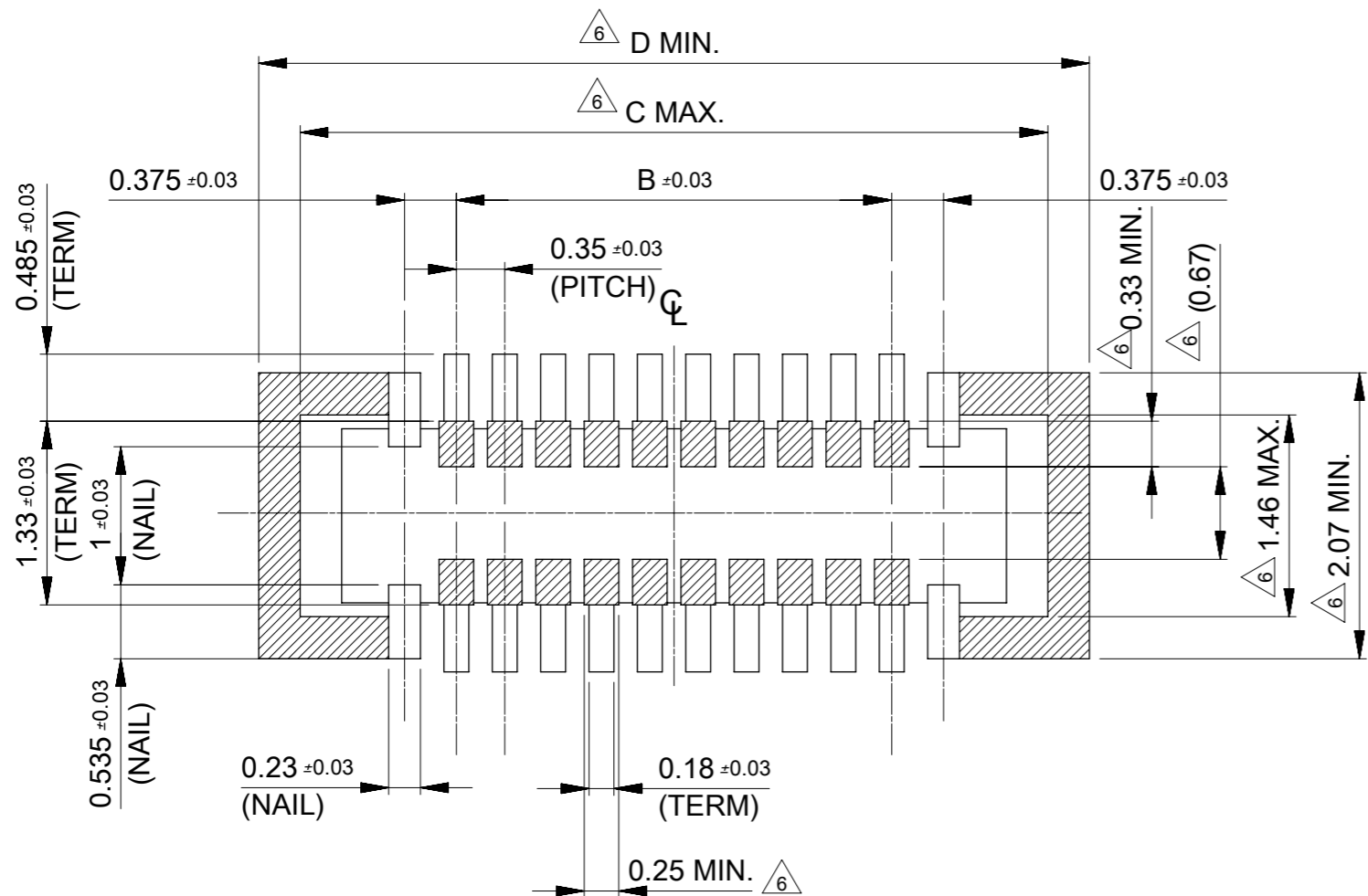
REVISED	2016/10/20	DRWN: TSOMEYA	2016/11/28	CHK'D: KTANAKA03	2016/11/28	APPR: TKUSUHARA01
	GENERAL TOLERANCES (UNLESS SPECIFIED)		DIMENSION UNITS		SCALE	
	ANGULAR TOL ± 1.0 °		MM		20:1	
	4 PLACES	± 0.001	DRWN BY		DATE	
	3 PLACES	± 0.003	STERUKI		2016/03/23	
2 PLACES	± 0.03	CHK'D BY		DATE		
1 PLACE	± 0.1	KTANAKA03		2016/04/01		
0 PLACES	± 0.2	APPR BY		DATE		
DRAFT WHERE APPLICABLE MUST REMAIN WITHIN DIMENSIONS		KMORIKAWA		2016/04/01		
		DRAWING SIZE		THIRD ANGLE PROJECTION		
		A3				

**molex**

0.35 BB CONN. SSB6 RP PLUG ASSY

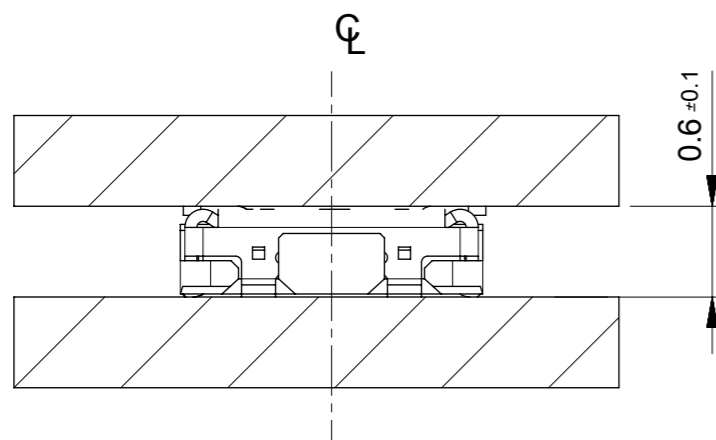
PRODUCT CUSTOMER DRAWING

SERIES	MATERIAL NUMBER	CUSTOMER	
505070	SEE CHART	GENERAL	
DOCUMENT NUMBER		DOC TYPE	DOC PART
5050701000		PSD	001
		DOC PART	SHEET NUMBER
		001	1 OF 2

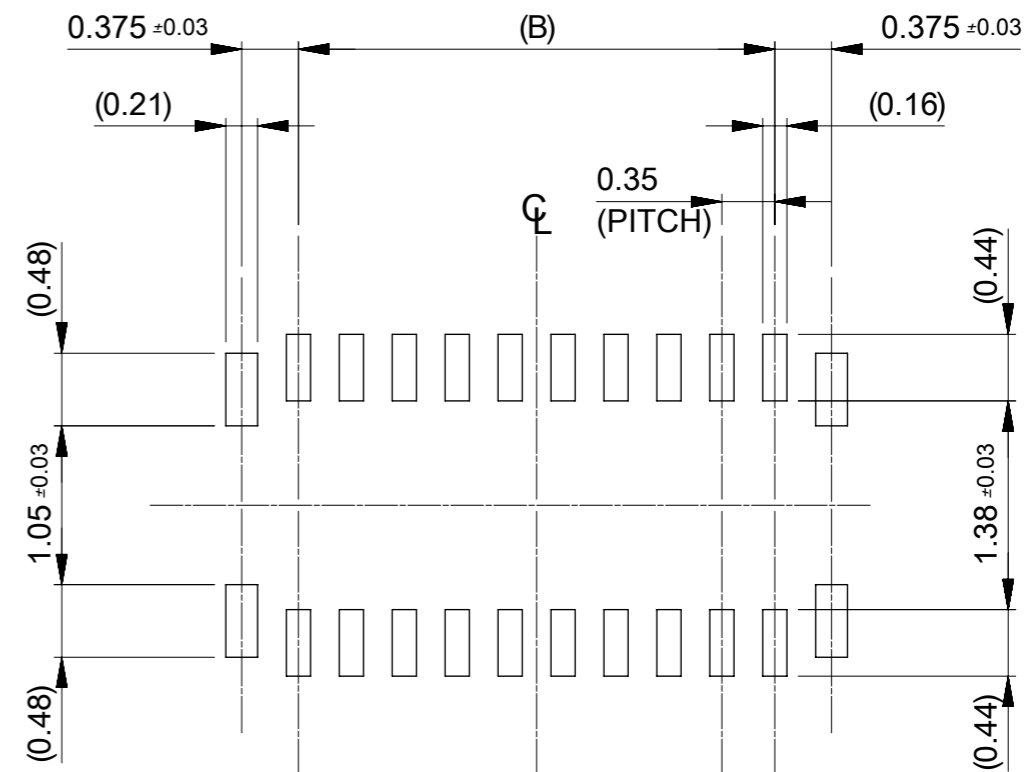


**RECOMMENDED P.W.BOARD PATTERN LAYOUT(REFERENCE)**

**△6 PROHIBITED AREA OF PATTERN WIRING AND SOLDER.  
(FOR EACH AREA, THE WIRING THAT TOUCHES ON THE SOLDER  
CAN BE ATTACHED, THEN COVERED WITH A FILM TO KEEP SOLDER OUT.)**



**MATED CONDITION**



**RECOMMENDED METAL MASK LAYOUT(REFERENCE)**

**RECOMMENDED THICKNESS OF METAL MASK : t=0.08mm  
RECOMMENDED OPEN APERTURE RATIO OF METAL MASK : 80%**

THIS DRAWING CONTAINS INFORMATION THAT IS PROPRIETARY TO MOLEX ELECTRONIC TECHNOLOGIES, LLC AND SHOULD NOT BE USED WITHOUT WRITTEN PERMISSION

EC NO: 110631 DRWN: TSOMEYA CHK'D: KTANAKA03 APPR: TKUSUHARA01	2016/10/20	GENERAL TOLERANCES (UNLESS SPECIFIED)		DIMENSION UNITS	SCALE	
	2016/11/28	ANGULAR TOL ± 1.0 °		MM	20:1	
	2016/11/28	4 PLACES ± 0.001	STERUKI	DATE	2016/03/23	
		3 PLACES ± 0.003	KTANAKA03	DATE	2016/04/01	
		2 PLACES ± 0.03	KMORIKAWA	DATE	2016/04/01	
	1 PLACE ± 0.1	DRAFT WHERE APPLICABLE MUST REMAIN WITHIN DIMENSIONS		DRAWING SIZE	THIRD ANGLE PROJECTION	PRODUCT CUSTOMER DRAWING SERIES: 505070 MATERIAL NUMBER: SEE CHART CUSTOMER: GENERAL
	0 PLACES ± 0.2	A3				
				DOCUMENT NUMBER: 5050701000 DOC TYPE: PSD DOC PART: 001 SHEET NUMBER: 2 OF 2		