

ACi4400 series

GreenTech EC compact fans Ø 119 mm x 38 mm

ebmpapst

The engineer's choice



Design Highlights:

- High efficiency EC motor with integrated electronics
- AC-line operated, speed is frequency independent
- Global voltage range version available (100-240V)
- Encapsulated versions certified for use with flammable refrigerants

Advantages vs Equivalent AC fan:

- 75% less power consumption
- Reduction in noise of 3dB or more
- Extended service life
- Constant performance over the full voltage range
- Half the weight

Standard Features:

- Air exhaust over struts, CW rotation looking at impeller
- Electrical connection via 2 flat pins, 2.8mm x 0.5mm (0.11" x .02")
- Reinforced composite; impeller PA, housing PBT, non-conductive & non-flammable
- Electronic locked rotor protection
- Ball bearings; shielded & lubricated for life
- Protection level IP20

Options:

- Flying leads
- Protection from humidity, splash water or salt fog
- Protection level up to IP65 (jacketed cable standard)
- Speed control and tach output

Comparison to ebm-papst AC fans

		ACi4400HH	4606Z*	4656Z*
Size	(mm)	119x119x38	119x119x38	119x119x38
Voltage Range	(VAC)	90-264	103.5-122	207-244
Nominal Speed	(rpm)	3300	3100	2650
Flow @ 0"SP	(CFM)	103	106	94
Power @ 0" SP	(watts)	4.4	18	19
Ambient Temp Range	(°C)	-40 to +75	-40 to +85	-40 to +75
Service Life L10 @ 40°C	(hours)	65,000	40,000	37,500
Sound Pressure	dB(A)	43	45	40
Sound Power	Bel(A)	5.5	5.6	5.3
Weight	lbs	0.55	1.19	1.19

*Other ebm-papst AC fan models

1. P/N 4606N & 4656N have the same free air flow and mounting but opposite airflow direction.
2. P/N 4606X & 4656X are the same as 4606N & 4656N but with 3.7mm (0.146") diameter mounting holes.



IP20 protection (standard) - for indoor (clean/dry) applications where no additional protection for motor (electronics or windings) is required.



"U" version (optional) IP65 ingress protection rating with VDE certificate (full encapsulation of winding and PCB)

ACi4400 series

GreenTech EC compact fans Ø 119 mm x 38 mm

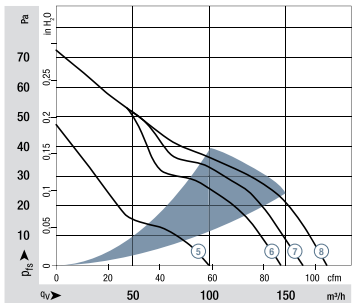
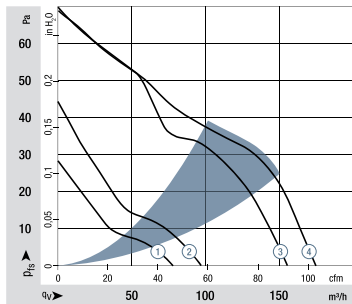
Nominal Data	Air flow		Nominal voltage	Frequency	Voltage range	Sound pressure level	Sound power level	Sinter sleeve bearings Ball bearings	Power consumption	Nominal speed	Temperature range	Service life L_{10} (40 °C) ebm-papst standard	Service life L_{10} (T_{max}) ebm-papst standard	Life expectancy L_{10pec} (40 °C)	Curve
	m ³ /h	cfm													
ACi4400L	78	46	100...240	50 / 60	90...264	23	3.7	■	1.1	1,500	-40...+75	65,000 / 25,000	110,000	110,000	①
ACi4400MLR***	100	59	100...240	50 / 60	90...264	25	4.1	■	1.7	1,850	-40...+75	65,000 / 25,000	110,000	110,000	②
ACi4400H	160	94	100...240	50 / 60	90...264	39	5.2	■	3.8	3,000	-40...+75	65,000 / 25,000	110,000	110,000	③
ACi4400HH	175	103	100...240	50 / 60	90...264	43	5.5	■	4.4	3,300	-40...+75	65,000 / 25,000	110,000	110,000	④
ACi4400HHAU*	175	103	100...240	50 / 60	90...264	43	5.5	■	4.5	3,300	-40...+75	65,000 / 25,000	110,000	110,000	⑧
ACi4400/2HHP**	175	103	100...240	50 / 60	90...264	43	5.5	■	4.5	3,300	-40...+75	65,000 / 25,000	110,000	110,000	⑧
ACi4420ML	100	59	230	50 / 60	195...265	25	4.1	■	1.7	1,850	-40...+75	65,000 / 25,000	110,000	110,000	⑤
ACi4420N	147	86	230	50 / 60	195...265	36	4.9	■	2.8	2,700	-40...+75	65,000 / 25,000	110,000	110,000	⑥
ACi4420H	160	94	230	50 / 60	195...265	39	5.1	■	3.2	3,000	-40...+75	65,000 / 25,000	110,000	110,000	⑦
ACi4420HH	175	103	230	50 / 60	195...265	43	5.5	■	4.4	3,300	-40...+75	65,000 / 25,000	110,000	110,000	⑧
ACi4410HH	175	103	115	50 / 60	85...132	43	5.5	■	4.4	3,300	-40...+75	65,000 / 25,000	110,000	110,000	⑧

Subject to change

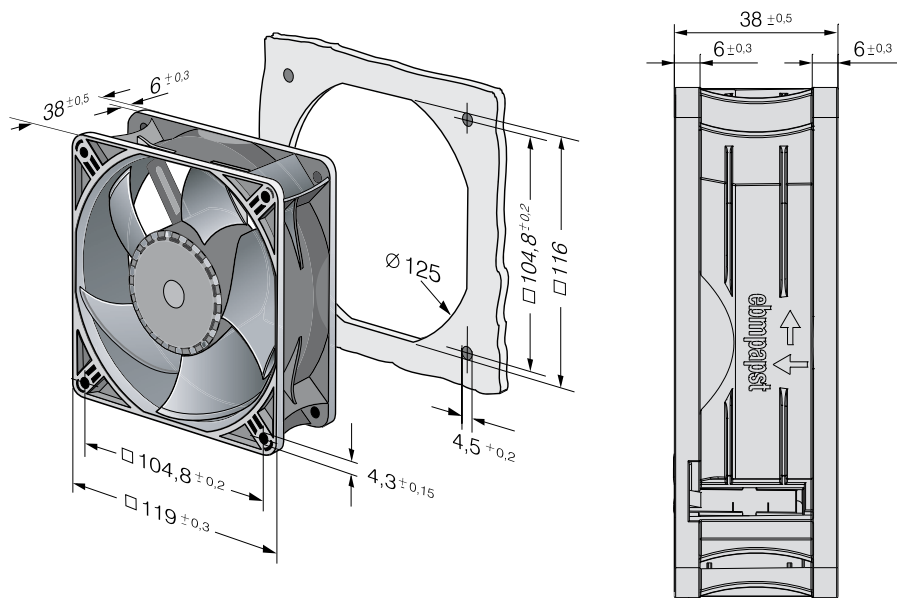
* analog (5-10 VDC) speed control input, IP 65

** PWM speed control input and 2ppr, open collector tach output

*** moisture protection



Air performance measured according to: ISO 5801. Installation category A, without contact protection. Noise: Total sound power level LWA ISO 10302 measured on a hemisphere with a radius of 2 m. Sound pressure level L_p measured at 1 m distance from fan axis. The values given are applicable only under the specified measuring conditions and may differ depending on the installation conditions. In the event of deviation from the standard configuration, the parameters must be checked after installation! For detailed information see <http://www.ebmpapst.com/> general conditions



Rotor protrusion max. 0.6 mm.

Safety compliance:

CSA
C US
CSA International File LR27697
Certificate #2335559
CSA STD C22.2 No, 113-12
Label marking

UL
C US
UL File GPWV2.E38324
Fan Recognized per UL507
Converter Recognized per UL508C
Motor Recognized per UL 1004-7



100 Hyde Road, Farmington, CT 06034 USA | www.ebmpapst.us
Tel: 860 674 1515 | Fax: 860 674 8536 | sales@us.ebmpapst.com

©ebm-papst Inc. 2017. ebm-papst Inc. reserves the right to change any specifications or data without notice. 10/17