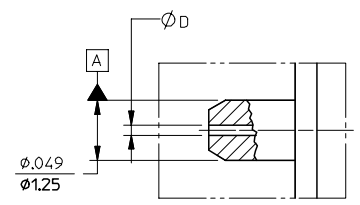
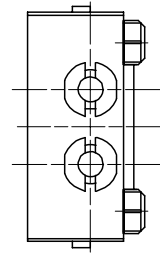
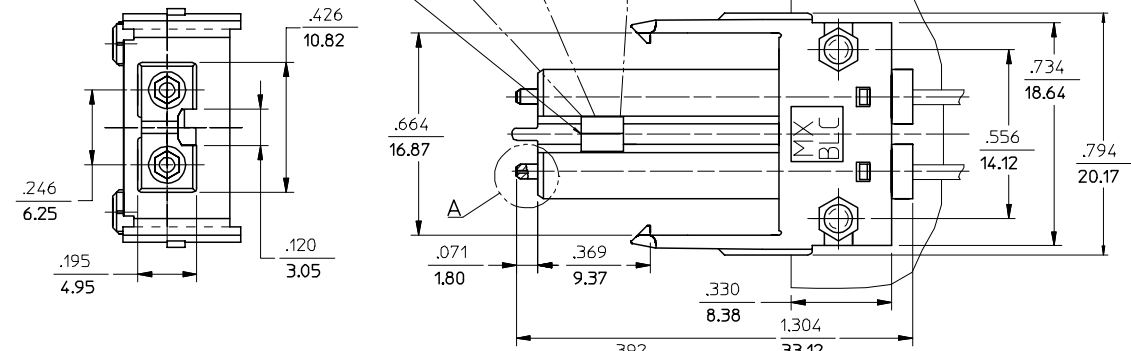
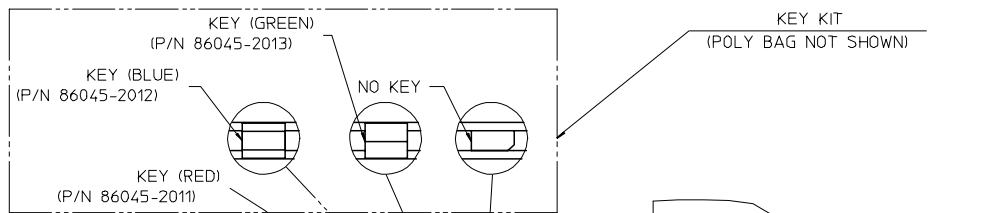
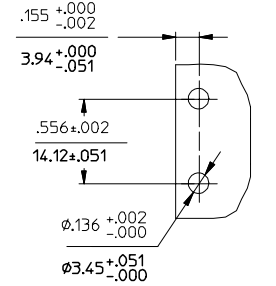


CONNECTOR P/N	ØD (Hm)
106045-2200	125.50
106045-3000	127.00
106045-4200	125.00
106045-5000	126.00
106045-6200	125.25



DETAIL A
SCALE: 10:1

(DUST CAP NOT SHOWN)



RECOMMENDED MOUNTING HOLES
SCALE 2:1

NOTES:
1. KEYS ARE TO BE PACKAGED UNASSEMBLED WITH CONNECTOR IN POLY BAG.

ENTER DESCRIPTION EC NO: MF2007-0349 DRWN:KPEVNER CHKD: 2006/11/28 APPR: IGUMIN 2006/11/28 2006/12/04	QUALITY SYMBOLS ▽=0 ▽=0	GENERAL TOLERANCES (UNLESS SPECIFIED)		DIMENSION STYLE IN/MM	SCALE 4:1	DESIGN UNITS INCH	THIRD ANGLE PROJECTION																
		<table border="1"> <thead> <tr> <th></th> <th>mm</th> <th>INCH</th> </tr> </thead> <tbody> <tr> <td>4 PLACES</td> <td>± .005</td> <td>± .0005</td> </tr> <tr> <td>3 PLACES</td> <td>± .005</td> <td>± .0005</td> </tr> <tr> <td>2 PLACES</td> <td>± .005</td> <td>± .0005</td> </tr> <tr> <td>1 PLACE</td> <td>± .005</td> <td>± .0005</td> </tr> </tbody> </table>			mm	INCH	4 PLACES	± .005	± .0005	3 PLACES	± .005	± .0005	2 PLACES	± .005	± .0005	1 PLACE	± .005	± .0005	DRAWN BY PGIBL IN	DATE 2005/10/18	TITLE BLC CONNECTOR (2 POSITION)		
			mm	INCH																			
		4 PLACES	± .005	± .0005																			
3 PLACES	± .005	± .0005																					
2 PLACES	± .005	± .0005																					
1 PLACE	± .005	± .0005																					
ANGULAR ±1/2°		CHECKED BY	DATE																				
DRAFT WHERE APPLICABLE MUST REMAIN WITHIN DIMENSIONS		APPROVED BY	DATE	MOLEX INCORPORATED																			
A2		MATERIAL NO. SEE TABLE	DOCUMENT NO. SD-106045-ZZZO	SHEET NO. 1 OF 01																			