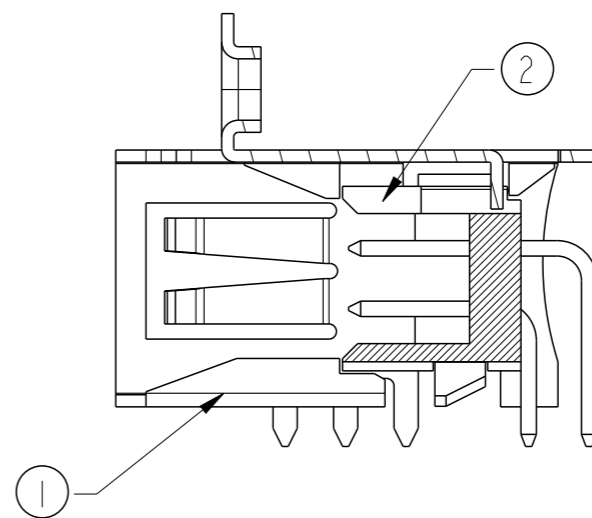
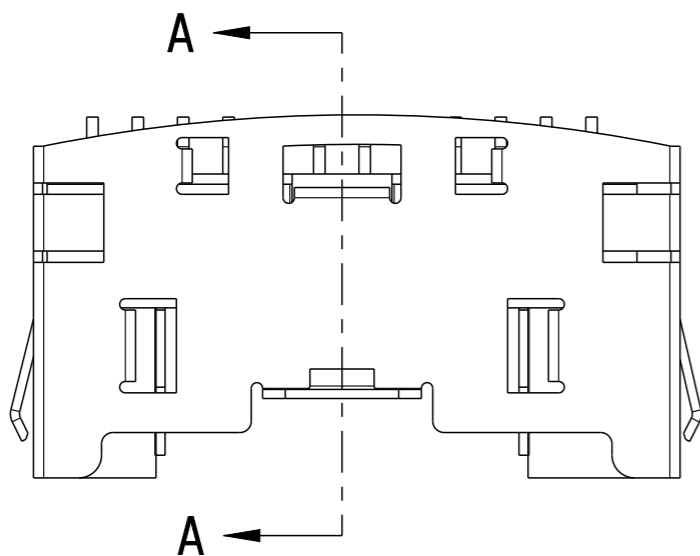
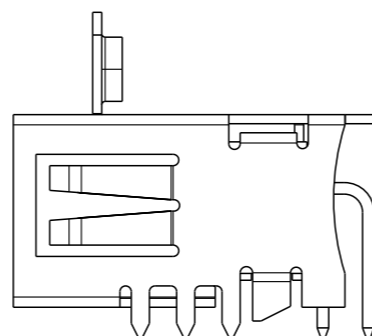
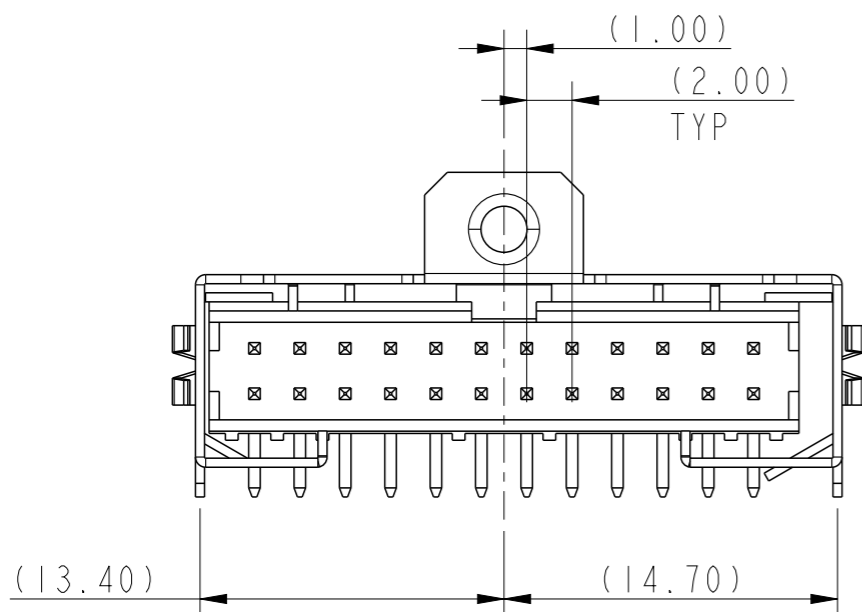


PRODUCT NUMBER
10069230-001ALF



SECTION A-A
SCALE 4:1



NOTES:

- PART NUMBERS WITH 'LF' SUFFIX ARE LEAD FREE.
- MOUNTING SCREW FOR ASSEMBLY IS NOT SUPPLIED BY FCI.
- P/N WAS SK-49152.
- SIGNAL SHIELD (ITEM NO. 1)
MATERIAL: PHOSPHOR BRONZE 0.4mm THICK WITH H04 TEMPER PLATED WITH 1.27-2.54um NICKEL .
- EDGES OF THE SHIELD WILL BE UNPLATED.

PACKAGE:

10069230-001XLF

- NONE: TRAY
- A: TAPE AND REEL

ITEM NO.	DESCRIPTION	QTY
1	SIGNAL SHIELD	1
2	R/A SHR HEADER ASSEMBLY	1

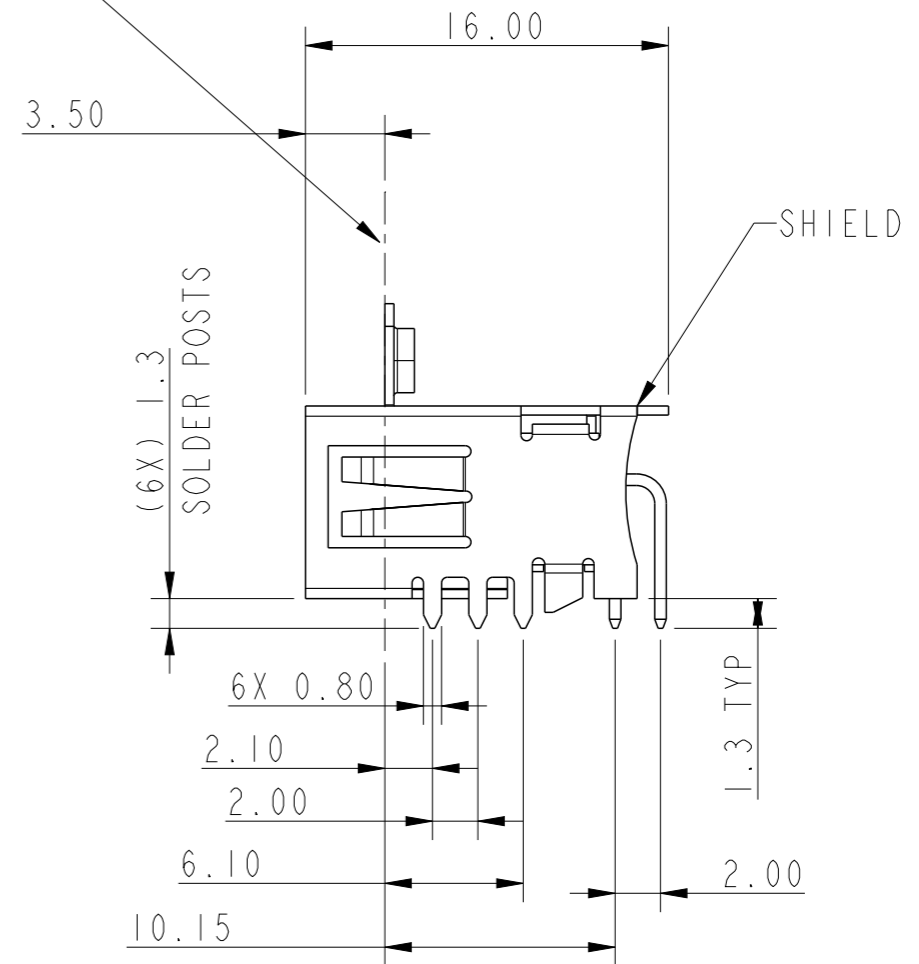
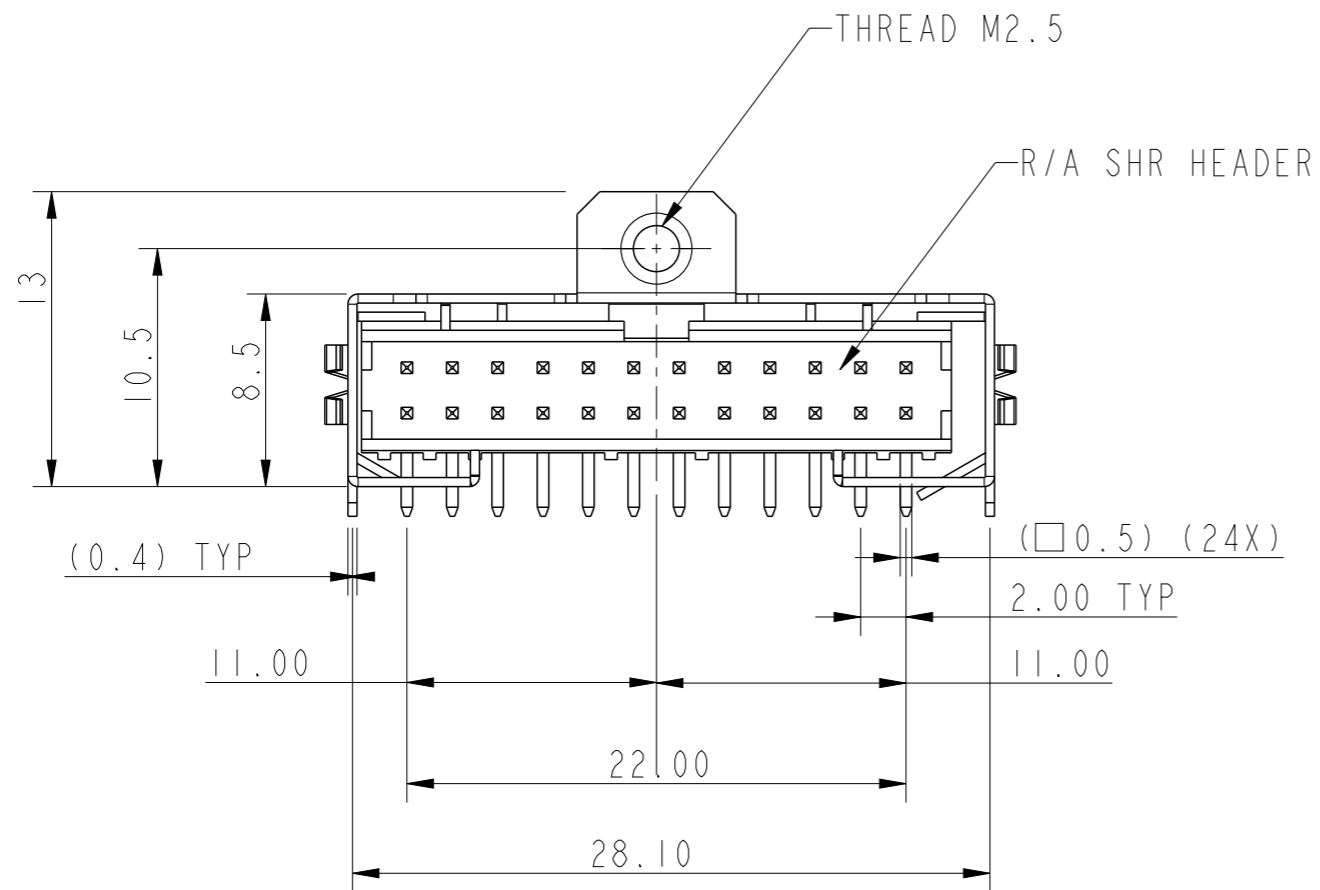
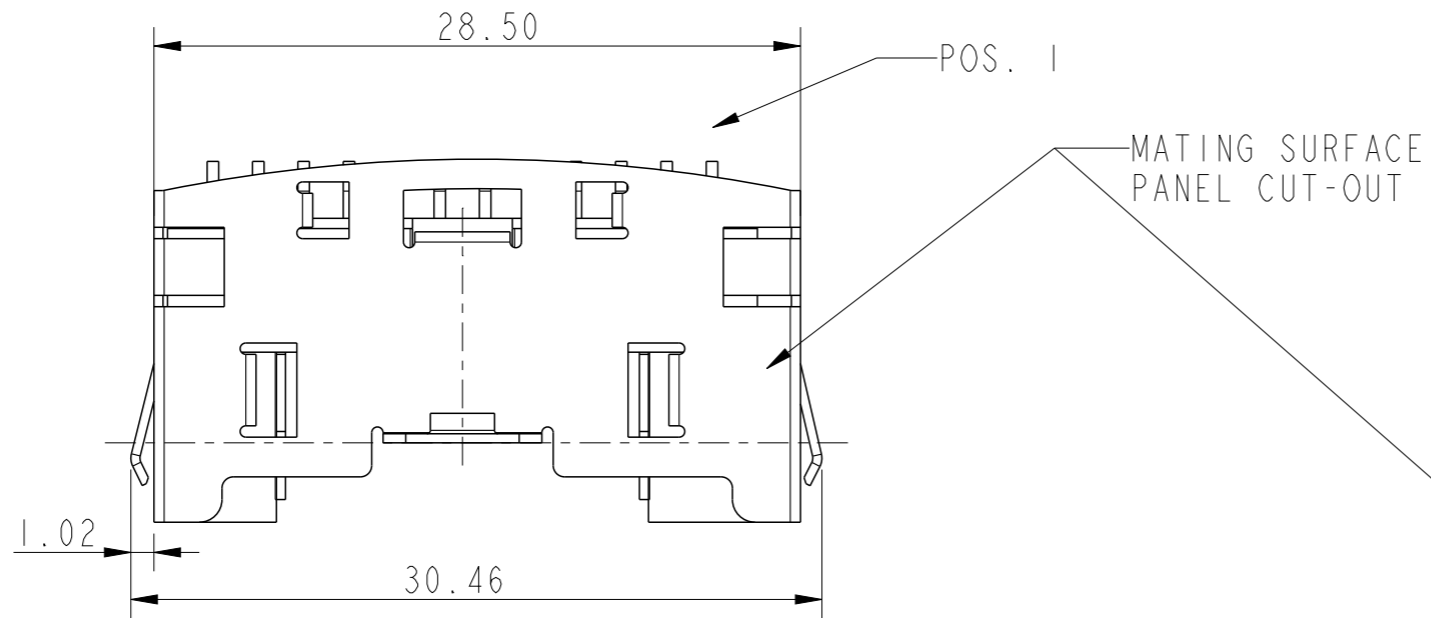
rev	ecn no	dr	date
A	V06-0554	DAI	2006-06-12
B	M06-0421	MHT	2006-10-24
C	V07-0050	MHT	2007-01-30
D	M07-0207	MHT	2007-05-04
E	ELX-N-26132	MZ	2017-02-22
-	-	-	-
-	-	-	-

spec ref	dr	Yong Huang	2010/10/28	projection	mm	size	A3	scale	3:1	
tolerance std	eng	Mike Zhou	2017/03/01			ecn no	ELX-N-26132-1			
TOLERANCES UNLESS OTHERWISE SPECIFIED		chr	-			product family	-	rel level	Released	
surface	linear	0.X	±0.3			dwg no	10069230		rev	E
		0.XX	±0.10	cat. no.	-	Product - Customer Drw		sheet 1 of 5		
		0.XXX	±0.050							
	angular	0°	±2°							

Amphenol FCI

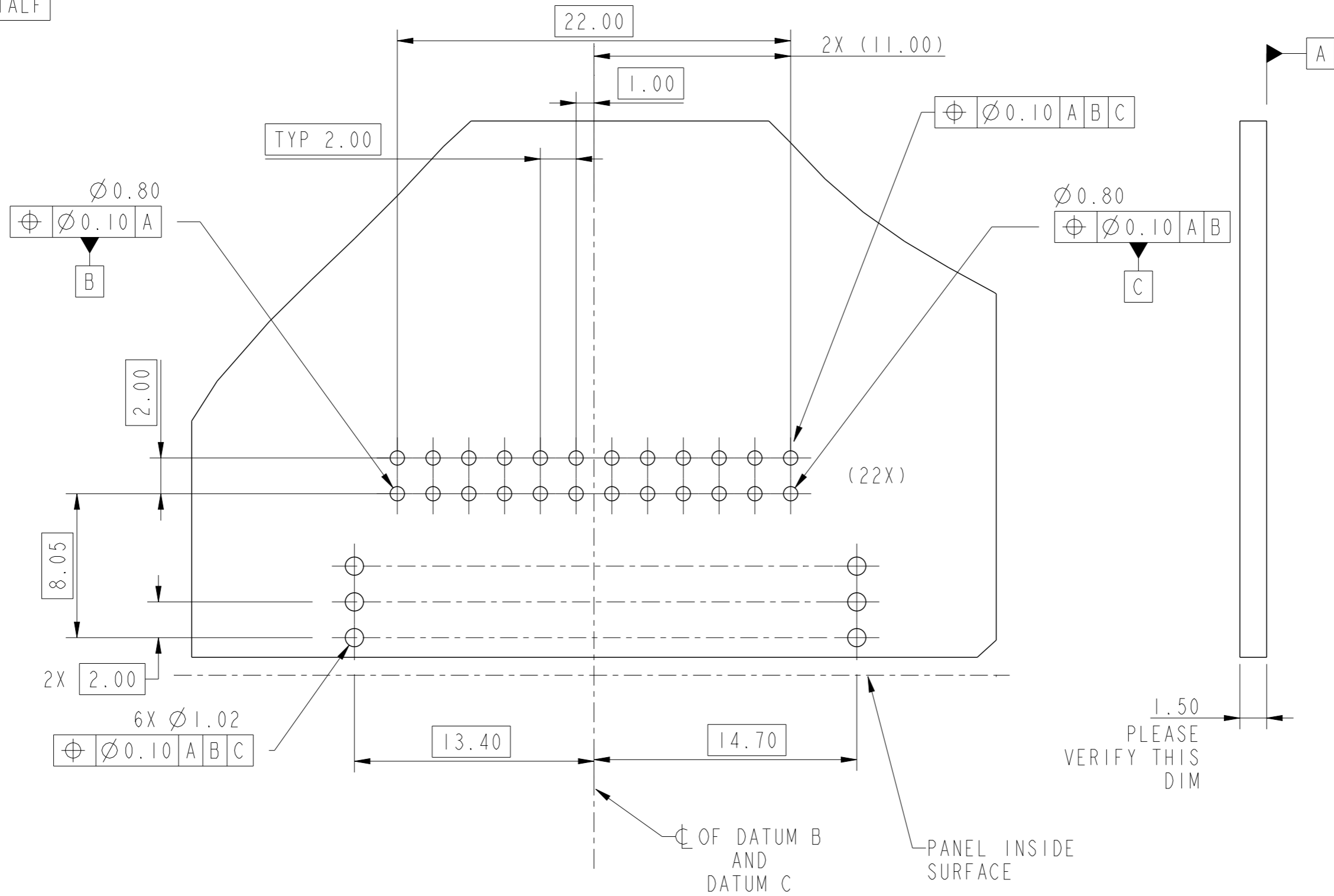
© 2016 AFCI

PRODUCT NUMBER
10069230-001ALF



spec ref	dr	Yong Huang	2010/10/28	projection	mm	size	A3	scale	3:1
tolerance std	eng	Mike Zhou	2017/03/01		← →	ecn no	ELX-N-26132-1		
TOLERANCES UNLESS OTHERWISE SPECIFIED						product family	-	rel level	Released
surface	<input checked="" type="checkbox"/> linear	0.X	±0.3	Amphenol FCI	title SINGLE HEADER ASSEMBLY	dwg no 10069230	rev E		
		0.XX	±0.10						
		0.XXX	±0.050						
	angular	0°	±2°	cat. no.	-	Product - Customer Drw	sheet 2 of 5		

PRODUCT NUMBER
10069230-001ALF

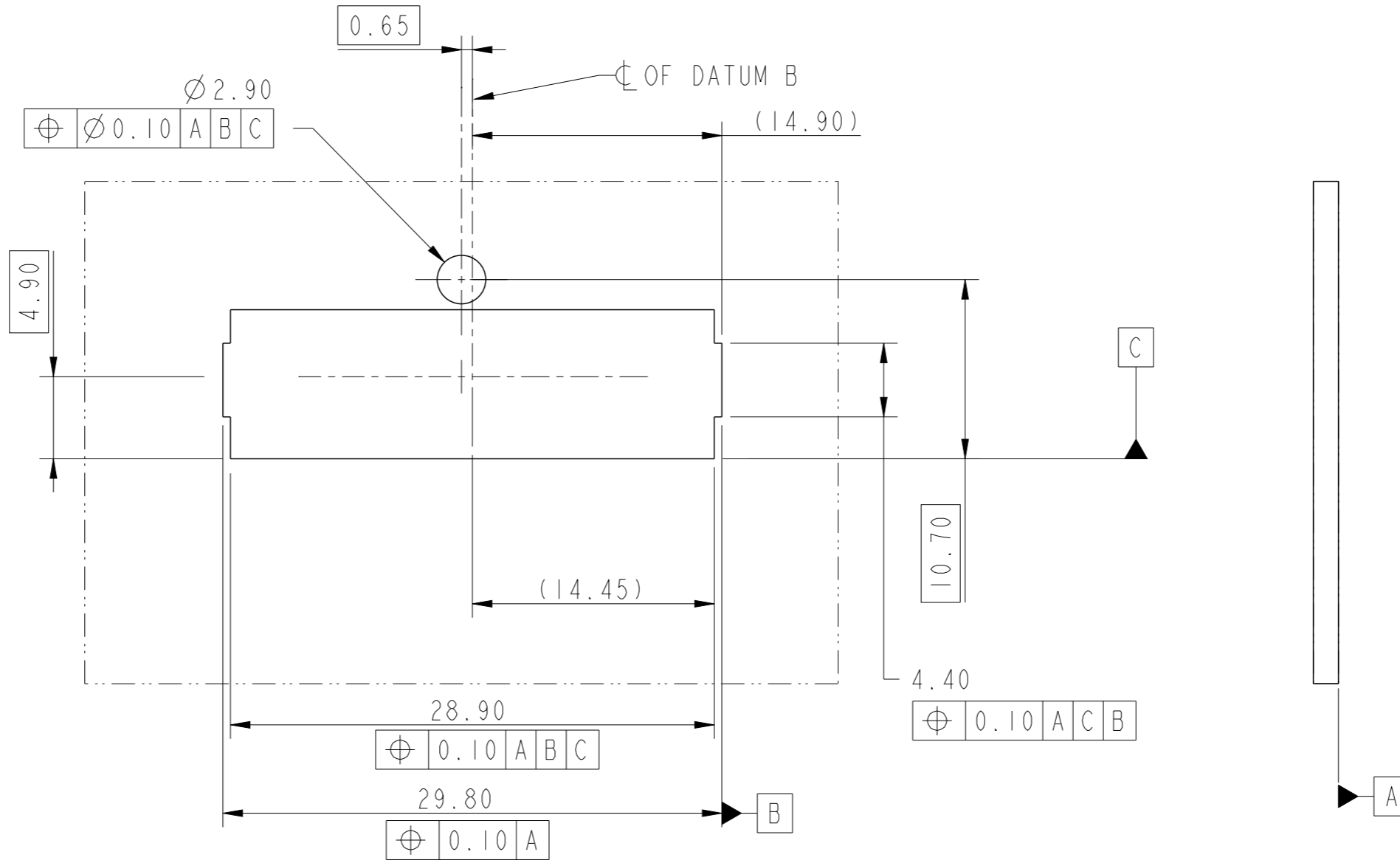


RECOMMENDED BOARD LAYOUT

SCALE 4:1

spec ref	dr	Yong Huang	2010/10/28	projection	mm	size	A3	scale	1:1	
tolerance std	eng	Mike Zhou	2017/03/01			ecn no	ELX-N-26132-1			
TOLERANCES UNLESS OTHERWISE SPECIFIED		chr	-			product family	-	rel level	Released	
surface	linear	0.X	±0.3		SINGLE HEADER ASSEMBLY	dwg no 10069230	rev E	cat. no.		-
		0.XX	±0.10					Product - Customer Drw		sheet 3 of 5
		0.XXX	±0.050					PDS: Rev :E		STATUS:Released
angular	0°	±2°								

PRODUCT NUMBER
10069230-001ALF



RECOMMENDED
PANEL CUT-OUT

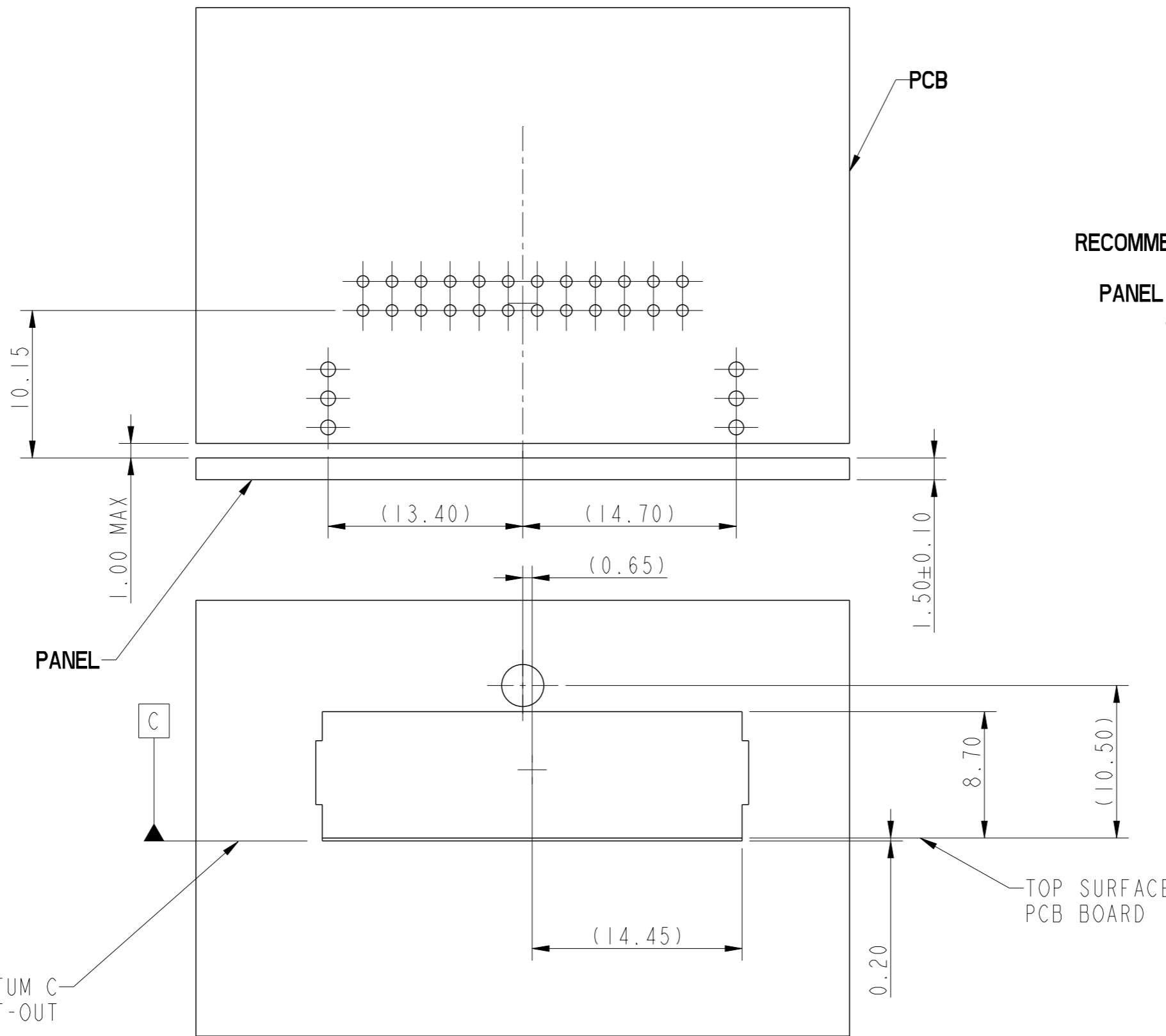
SCALE 3:1

spec ref	dr	Yong Huang	2010/10/28	projection	mm	size	A3	scale	1:1
tolerance std	eng	Mike Zhou	2017/03/01			ecn no	ELX-N-26132-1	rel level	Released
TOLERANCES UNLESS OTHERWISE SPECIFIED									
surface	linear	0.X	± 0.3	Amphenol FCI	SINGLE HEADER ASSEMBLY	dwg no	10069230	rev	E
		0.XX	± 0.10						
		0.XXX	± 0.050						
	angular	0°	$\pm 2^\circ$	cat. no.	-	Product - Customer Drw	sheet 4 of 5		

Amphenol
FCi

© 2016 AFCI

PRODUCT NUMBER
10069230-001ALF



Amphenol
FCi

© 2016 AFCI

spec ref		dr	Yong Huang	2010/10/28	projection	mm	size	A3	scale	1:1
tolerance std		eng	Mike Zhou	2017/03/01			ecn no		ELX-N-26132-1	
TOLERANCES UNLESS OTHERWISE SPECIFIED		chr	-	-			rel level		Released	
surface	linear	0.X	±0.3		Amphenol FCi	title SINGLE HEADER ASSEMBLY	dwg no 10069230	rev		E
		0.XX	±0.10							
	0.XXX	±0.050								
	angular	0°	±2°		cat. no.	-	Product - Customer Drw		sheet 5 of 5	