

## Flat suction pad (round)

SUF 3 NBR-55 M3-AG

Part no...:10.01.01.14291

<https://www.schmalz.com/10.01.01.14291>

Home > Vacuum Technology for Automation > Vacuum Components > Vacuum Suction Cups > Flat Suction Cups (Round) > Flat Suction Cups SUF > SUF 3 NBR-55 M3-AG

### Flat suction cup (round) for process safe handling of smooth or slightly rough surfaces



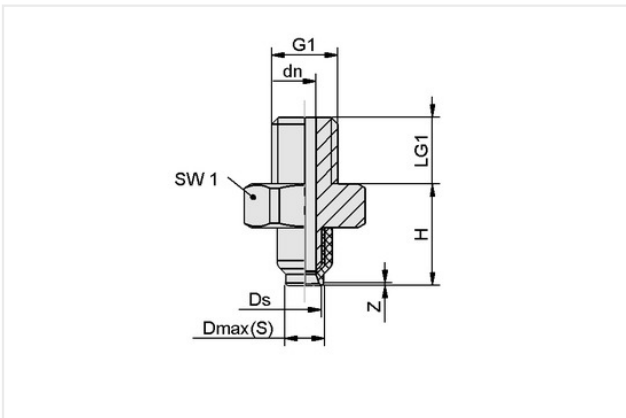
Size: 3

Suction cup material: Nitrile rubber NBR

Material hardness [Shore A]: 55 Shore A

Vacuum connection: M3-M

### Design Data



Attribute	Value
Dmax(S)	3.70 mm
Ds	3 mm
dn	1 mm
G1	M3-M
H	5.50 mm
LG1	3 mm
SW1	5 mm
Z (Stroke)	0.30 mm

### Technical Data

Attribute	Value
Suction force (-600mbar)	0.30 N
Pull-off force	0.30 N
Volume	0.00 cm <sup>3</sup>
Curve radius (min) (convex)	8 mm
Hose diameter (empf.) d	2 mm
Size	3
Suction cup material	Nitrile rubber NBR
Material hardness [Shore A]	55 Shore A

### Contact Schmalz

Schmalz Inc. | 5850 Oak Forest Drive, Raleigh, NC 27616, United States | +1 (919) 713-0880 | [schmalz.us@schmalz.com](mailto:schmalz.us@schmalz.com)

## Flat suction pad (round)

SUF 3 NBR-55 M3-AG

Part no...:10.01.01.14291

<https://www.schmalz.com/10.01.01.14291>

Weight	0.20 g
Product family	SUF
Number of folds	0

Note: Suction force: The specified suction forces are theoretical values at a vacuum of -0.6 bar and with a dry, smooth and flat workpiece surface - they do not include a safety factor  
Hose diameter: The recommended hose diameter refers to a hose length of approx. 2 m

### Spare parts



#### SC 010 M3-AG

Part no...:10.01.06.04249

Connection geometry: 010

Vacuum connection: M3-M

Fitting length: 2 mm

Nominal diameter dn: 1 mm



#### SUF 3 NBR-55 SC010

Part no...:10.01.01.14285

Size: 3

Suction cup material: Nitrile rubber NBR

Material hardness [Shore A]: 55 Shore A