

- 1
- 2
- 3
- 4
- 5
- 6
- 7
- 8
- 9
- 10
- 11
- 12
- 13
- 14
- 15
- 16
- 17
- 18

MATERIAL

Coated aluminium, glossy finish.

COLOUR

RAL 9002 white.

SIDE COVERS

Polyamide based (PA) technopolymer, white colour similar to RAL 9002.

STANDARD EXECUTION

Back mounting by means of two rubber profiles that ensure a firm and stable installation (see mounting instructions point 5).

FEATURES AND APPLICATIONS

Suitable for use with plates having a thickness between 1.0 and 2.5 mm. RH-SG-CLEAN series handles have an excellent design and ergonomics, they are assembled in line with the edge of the plate and are thin so as not to interfere with the internal components of the equipment.

Two identical grooves, one upper and one lower, set at 90° one to another, enable internal elements to be connected one to another by means of thin square nuts.

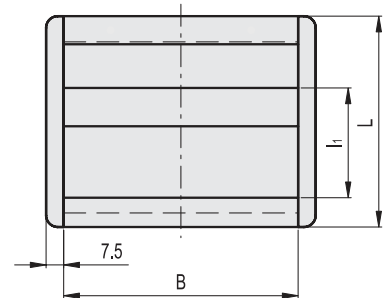
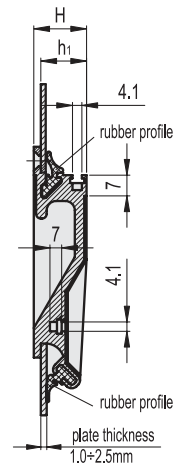
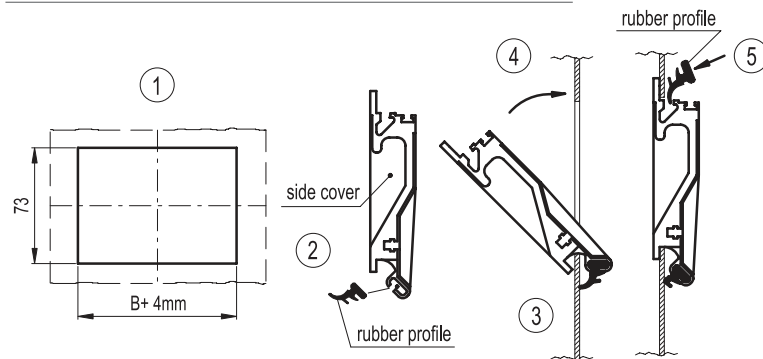
This handle, of white colour, is particularly suitable for applications on medical and hospital equipment and on food processing machines whose parts, for hygienic reasons, must be frequently cleaned. Its solid shape without cavities prevents unhealthy residues from depositing. Its glossy surface allows a perfect cleaning.

SPECIAL EXECUTIONS ON REQUEST

Different lengths.

ASSEMBLY INSTRUCTIONS

1. Make a drill in the handle according to the template dimensions reported thus removing the drilling burrs.
2. Fit the lower rubber profile and snap the two side covers onto the aluminium part.
3. Rest the handle on the lower part of the opening, tilting it 45° and make sure that the lower rubber profile is uniformly in contact with the internal surface of the plate.
4. Push the top part of the handle against the plate.
5. Fit the second rubber profile in its groove on the aluminium profile.



Conversion Table	
1 mm = 0,039 inch	
mm	inch
90	3.54

METRIC

Code	L	B	H	h1	l1	Δ
RHSG-73.100.9002	90	100	22.5	19.5	52	153
RHSG-73.118.9002	90	118	22.5	19.5	52	173
RHSG-73.167.9002	90	167	22.5	19.5	52	251