

THIS DRAWING IS UNPUBLISHED.

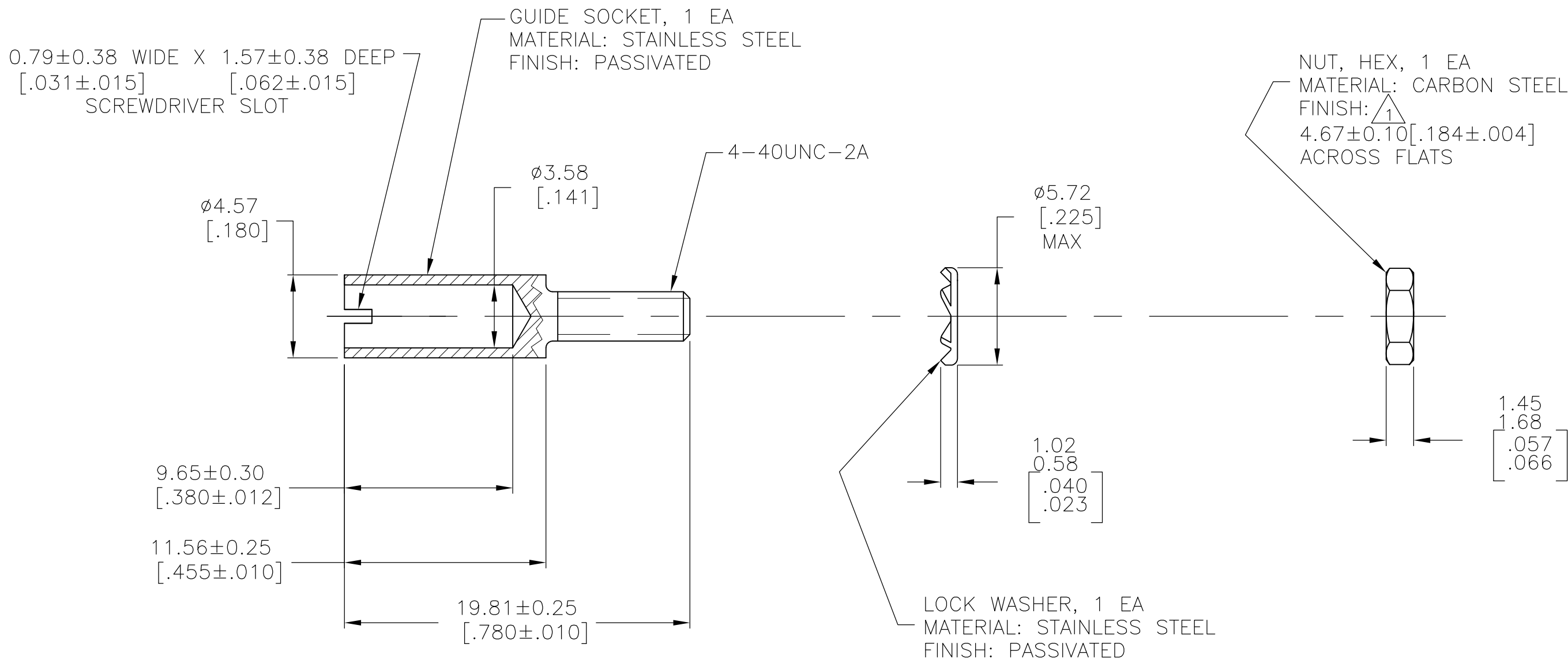
RELEASED FOR PUBLICATION

ALL RIGHTS RESERVED.

© COPYRIGHT - By -

REVISIONS

P	LTR	DESCRIPTION	DATE	DWN	APVD
	Y1	REVISED PER ECO-16-004000	08OCT2016	NK	MZ



³ OBSOLETE	1-200390-0
	200390-9
SUPERSEDED BY 200390-9	200390-2
	PART NUMBER

¹ ZINC PLATE.

³ SPECIAL PACKAGING - ONE UNASSEMBLED UNIT PER BAG

THIS DRAWING IS A CONTROLLED DOCUMENT.		DWN W.G.LENKER 1-20-95	STE TE Connectivity															
		CHK R.STONE 1-24-95																
DIMENSIONS: mm [INCHES]		APVD -	NAME															
TOLERANCES UNLESS OTHERWISE SPECIFIED:		PRODUCT SPEC -	CENTER GUIDE SOCKET KIT, UNASSEMBLED, M SERIES															
<table border="0"> <tr><td>0 PLC</td><td>± -</td></tr> <tr><td>1 PLC</td><td>± -</td></tr> <tr><td>2 PLC</td><td>± 0.13 [.005]</td></tr> <tr><td>3 PLC</td><td>± -</td></tr> <tr><td>4 PLC</td><td>± -</td></tr> <tr><td>ANGLES</td><td>± -</td></tr> </table>		0 PLC	± -	1 PLC	± -	2 PLC	± 0.13 [.005]	3 PLC	± -	4 PLC	± -	ANGLES	± -	APPLICATION SPEC -	SIZE	CAGE CODE	DRAWING NO	RESTRICTED TO
0 PLC	± -																	
1 PLC	± -																	
2 PLC	± 0.13 [.005]																	
3 PLC	± -																	
4 PLC	± -																	
ANGLES	± -																	
MATERIAL SEE CALLOUT	FINISH SEE CALLOUT	WEIGHT	A3	00779	C-200390	-												
CUSTOMER DRAWING			SCALE	SHEET	REV													
			4:1	1 OF 1	Y1													