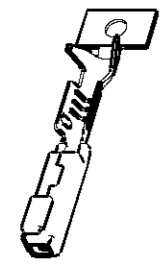
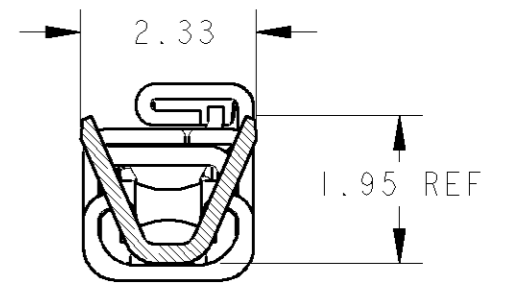
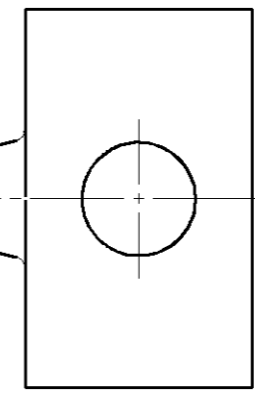
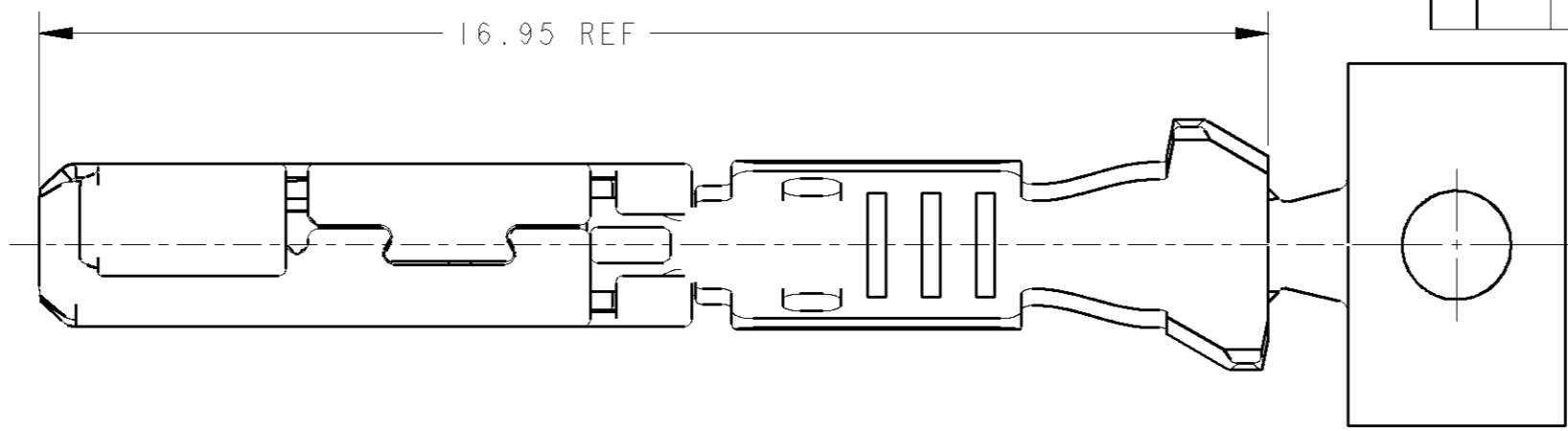


THIS DRAWING IS UNPUBLISHED. RELEASED FOR PUBLICATION 20  
 © COPYRIGHT 20 BY TYCO ELECTRONICS CORPORATION. ALL RIGHTS RESERVED.

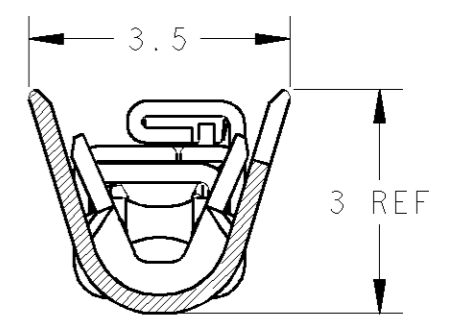
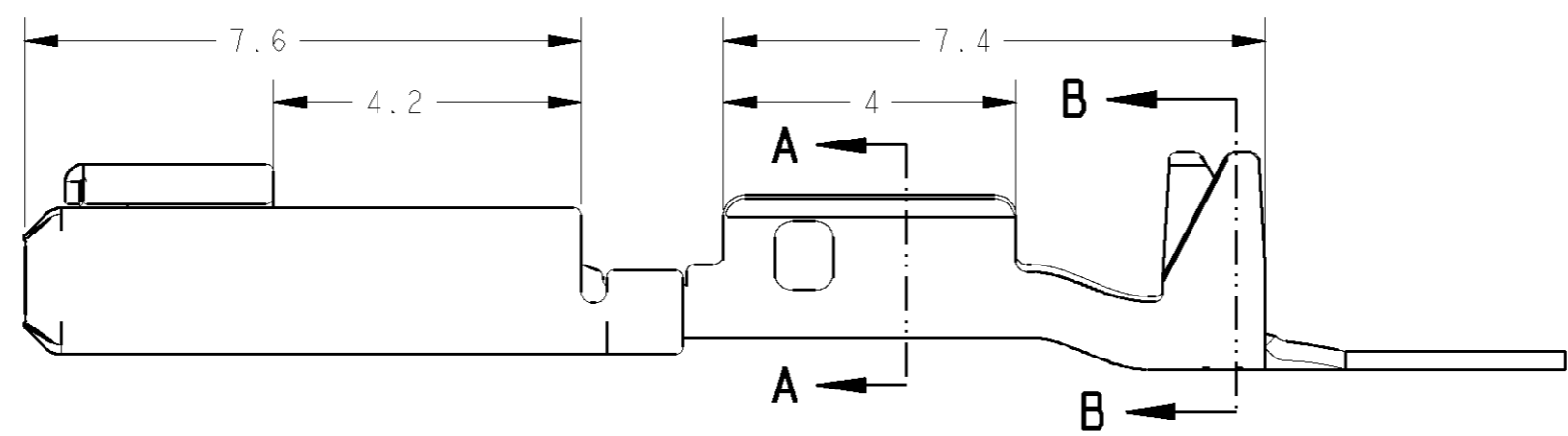
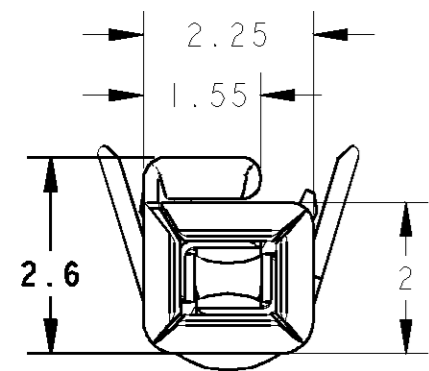
LOC	DIST	REVISIONS						
J	-	P	LTR	DESCRIPTION	ECN	DATE	DWN	APVD
			0	RELEASED	FJA0-0709-03	26NOV03	Y.N	Y.F
			A	REVISED	ECR-10-005857	20APR10	SF	KB



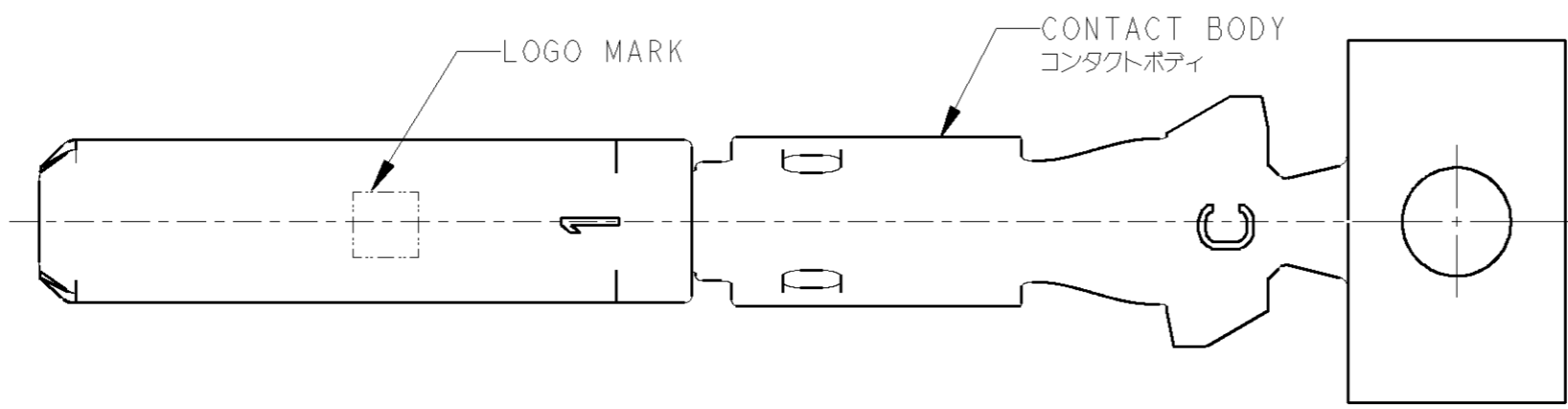
2:1



A-A



B-B



1. APPLICATOR FEED : 9  
 1. アプリケーター送りピッチ : 9

BRASS PRE-TIN	COPPER ALLOY PRE-TIN	1612775-1
CONTACT FERRULE コンタクトフェール	CONTACT BODY コンタクトボディ	PRODUCT NO 製品番号
MATERIAL / FINISH 材料 / 仕上		

WIRE RANGE 包合電線断面積	0.3 mm <sup>2</sup>	INSULATION DIA 被覆外径	φ1.8~2.2
-----------------------	---------------------	------------------------	----------

THIS DRAWING IS A CONTROLLED DOCUMENT FOR TYCO ELECTRONICS CORPORATION. IT IS SUBJECT TO CHANGE AND THE CONTROLLING ENGINEERING ORGANIZATION SHOULD BE CONTACTED FOR THE LATEST REVISION.		DWN	20-Apr-10
DIMENSIONS: 単位: 概 mm		CHK	20-Apr-10
TOLERANCES UNLESS OTHERWISE SPECIFIED: 一般公差 ±0.2		APVD	20-Apr-10
0-PLC ±		PRODUCT SPEC	
1-PLC ±0.1		取付適用規格	
2-PLC ±0.01		APPLICATION SPEC	114-5278
3-PLC ±0.001		WEIGHT	0.31g
4-PLC ±0.0001		CUSTOMER DRAWING	
ANGLES ±1.00'			
MATERIAL 材料	FINISH 仕上		
SEE TABLE	SEE TABLE		

Tyco Electronics Corporation Kawasaki, Japan		NAME 名称	
REC CONTACT ASSY C RANGE CLEAN BODY 040 CONNECTOR		SIZE	A3
CAGE CODE	00779	DRAWING NO 番号	C=1612775
RESTRICTED TO	-	SCALE 尺度	10:1
SHEET	1	OF	1
REV	A		