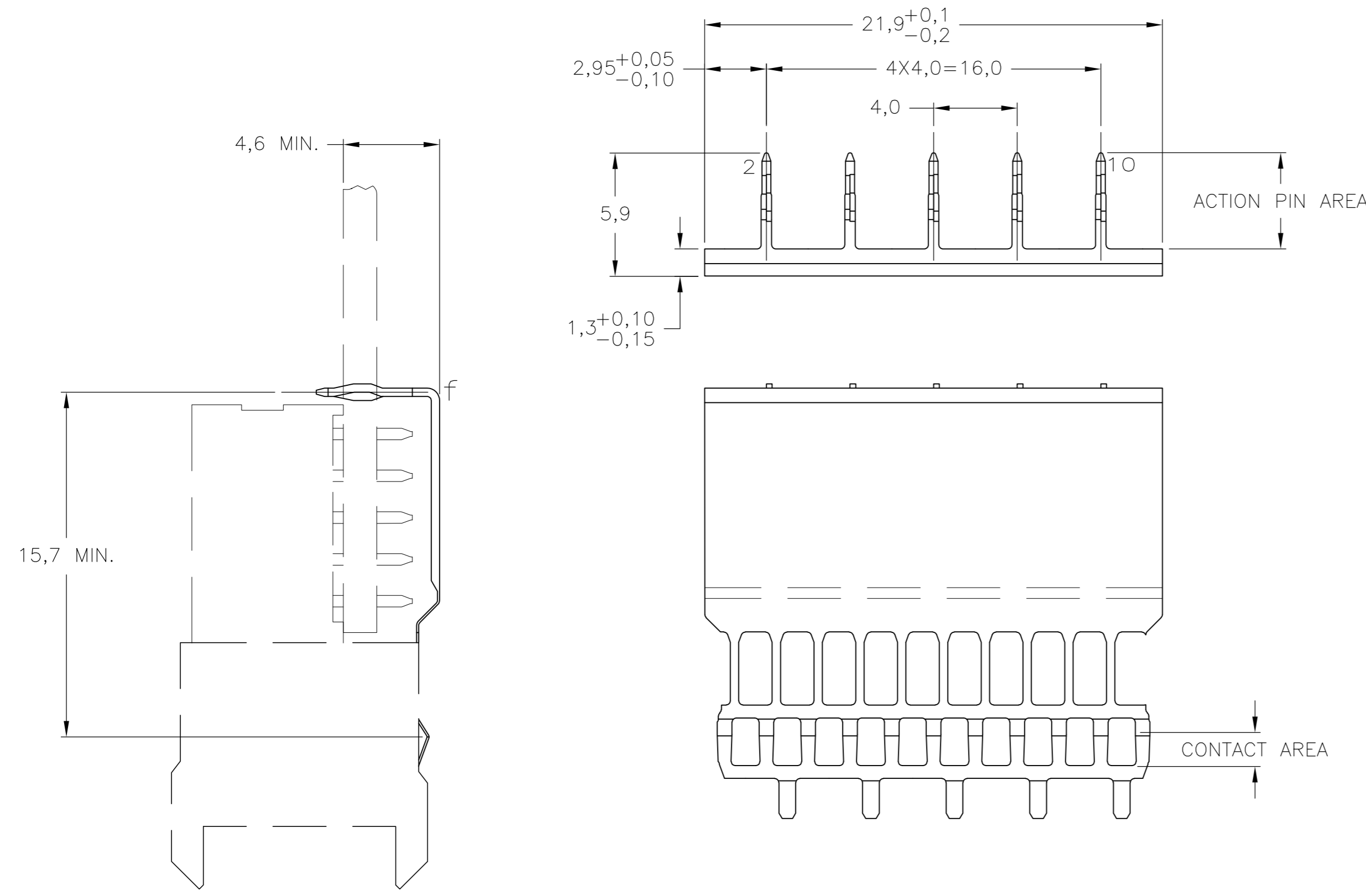


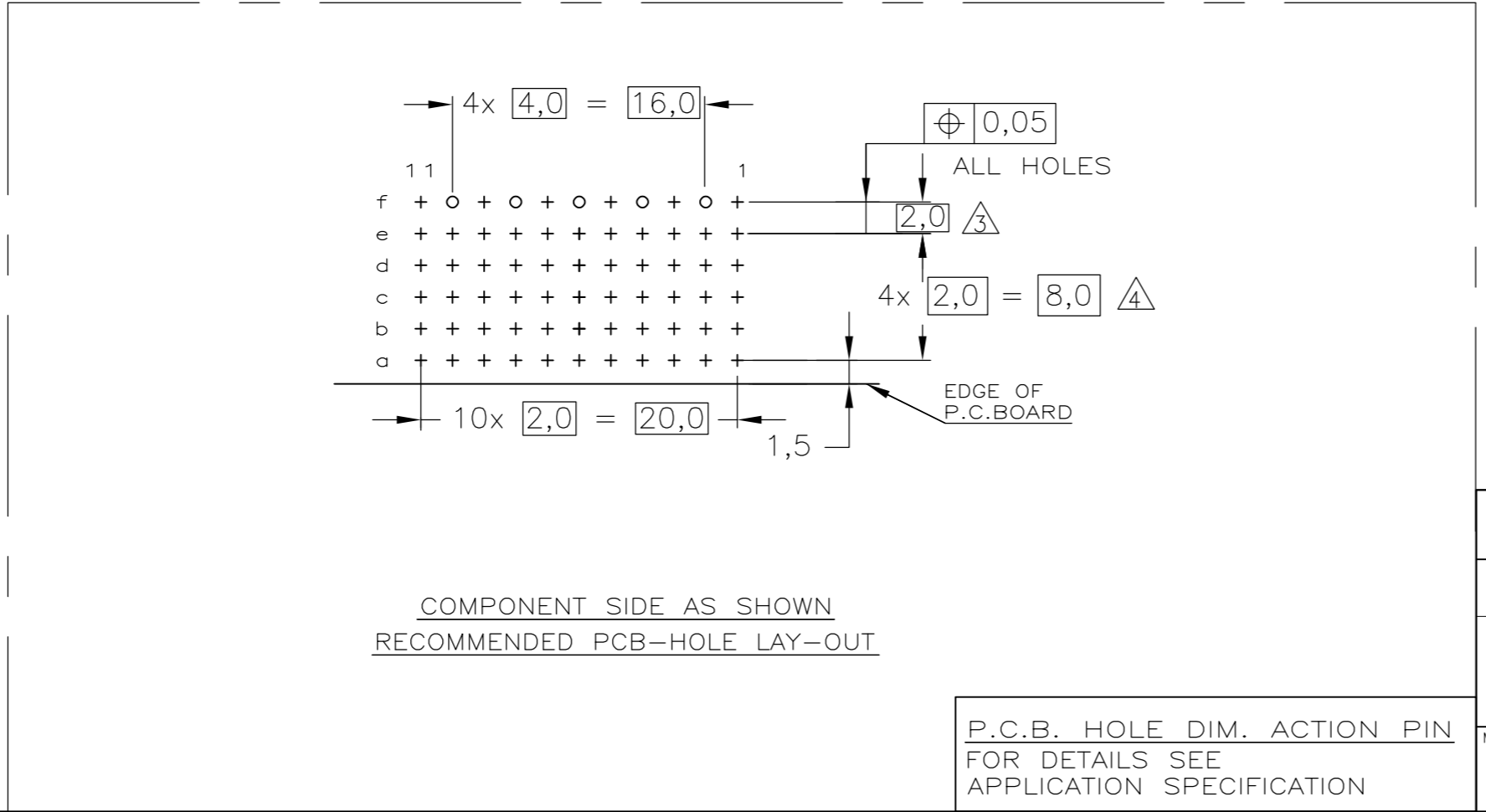
THIS DRAWING IS UNPUBLISHED. RELEASED FOR PUBLICATION
 © COPYRIGHT - By - ALL RIGHTS RESERVED.

REVISIONS					
P	LTR	DESCRIPTION	DATE	DWN	APVD
E		ECR-16-013297	24JUL2017	FL	SY



NOTES:

- ⚠ GENERAL PLATING SPECIFICATION: UNDERPLATING (ENTIRE CONTACT): 1,27µm NICKEL MIN.AND ACTION PIN: 0,5µm TIN MIN. FOR PLATING OF MATING SURFACES SEE PERFORMANCE LEVEL SHOWN IN PART NUMBER TABLE.
- ⚠ MATERIAL; PHOSPHORBRONZE.
- ⚠ ROW "f" 5 PLATED THROUGH HOLES FOR LOWERSHIELD.
- ⚠ HOLE PATTERN FOR FEMALE CONNECTOR TYPE C WITH UPPERSHIELD, 55+6 PLATED-THROUGH HOLES AT 2x2mm SQUARE GRID
- 5 MAX. BOARD THICKNESS 3,5 mm.
- ⚠ SHIELDS LUBRICATED WITH BELLCORE APPROVED LUBRICANT. TECHNICAL REF: TR-NWT-001217 ISSUE 1, SEPT. 1992.
- ⚠ CONFORMS TO ALL TESTING ACCORDING IEC 61076-4-101 PERFORMANCE LEVEL 2.
- ⚠ CONFORMS TO ALL TESTING ACCORDING IEC 61076-4-101 PERFORMANCE LEVEL 1.
- ⚠ CONNECTOR TESTED AND QUALIFIED AGAINST TELCORDIA GR-1217-CORE QUALITY LEVEL III,CENTRAL OFFICE APPLICATIONS.
- ⚠ 0.76µm MIN GOLD PLATING AT MATING SURFACE.



OBSOLETE	⚠ ⚠ ⚠	⚠	4-5352112-0
	⚠ ⚠ ⚠	⚠	5352112-9
	⚠ ⚠	⚠	5352112-2
	FINISH	MATERIAL	PARTNUMBER

THIS DRAWING IS A CONTROLLED DOCUMENT.		DWN K.N.KIRAN 18AUG04	TE Connectivity	
DIMENSIONS: mm	TOLERANCES UNLESS OTHERWISE SPECIFIED: ±0.2	CHK B.MOOIJ 25MAR05	Z-PACK 2mm HM GROUND RETURN LOWER SHIELD TYPE C/M	
MATERIAL -	FINISH -	APVD B.MOOIJ 25MAR05	NAME	RESTRICTED TO
		PRODUCT SPEC 108-19082	SIZE A2	00779
		APPLICATION SPEC 114-19029	DRAWING NO C=5352112	SCALE 5:1
		WEIGHT 0.000000	SHEET 1 of 1	REV E
		CUSTOMER DRAWING		