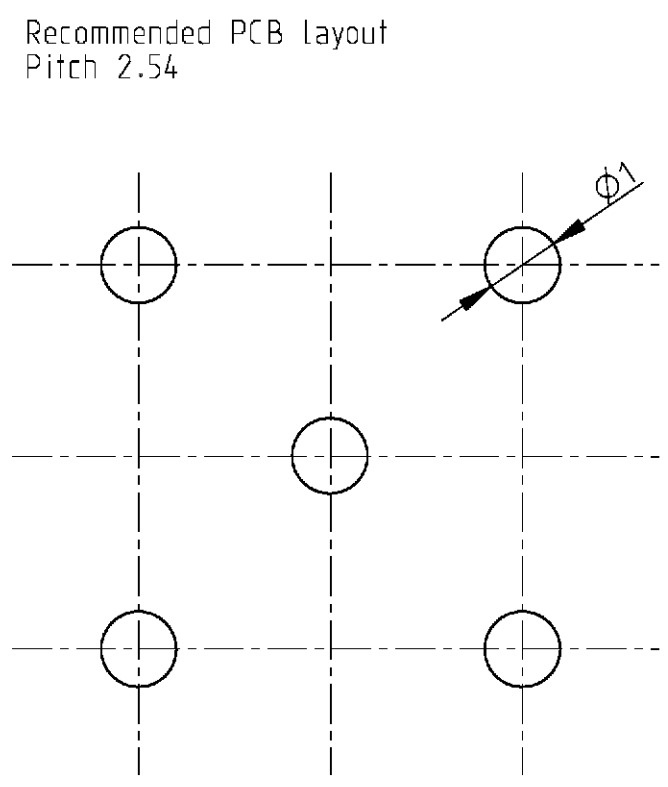
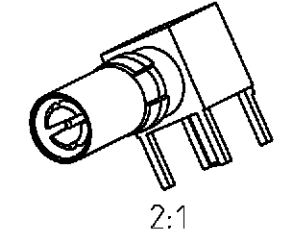
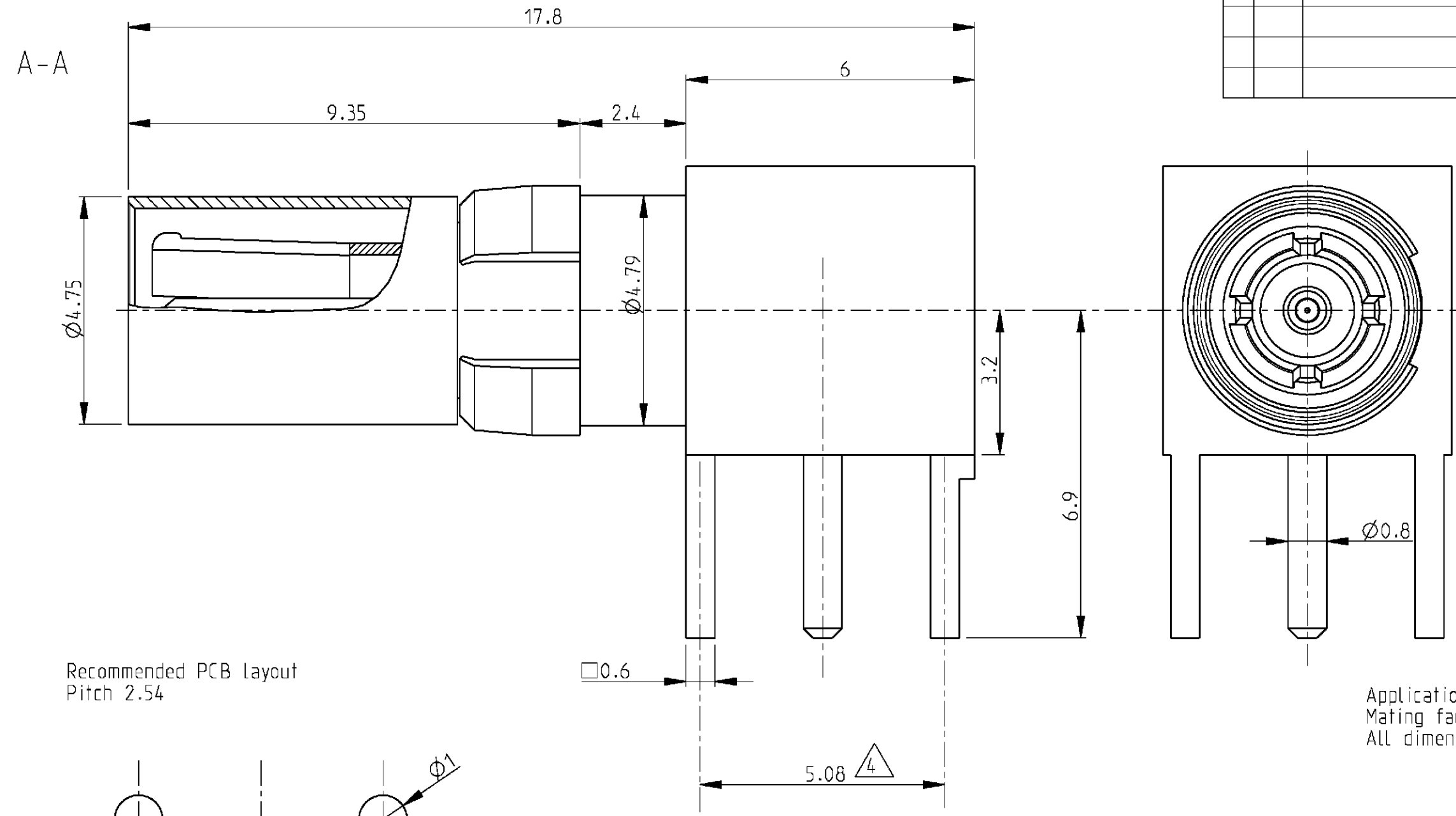


THIS DRAWING IS UNPUBLISHED. RELEASED FOR PUBLICATION 2000
 © COPYRIGHT 2000 BY TYCO ELECTRONICS CORPORATION. ALL RIGHTS RESERVED.

LOC	DIST	REVISIONS			
P	LTR	DESCRIPTION	DATE	DWN	APVD
GW	-	A1	SR10-0146-01	09APR2001	CM KM



Application : female connectors : DIN41612
 Mating face according to DIN 41612 , Part 2
 All dimensions are max. dimensions

V23601-A1127-E1	1-1393662-2	Dielectric	PTFE	
		Outer Con.	Cu Be	1µm Au min in contact area
		Center Con.	Brass	1µm Au min in contact area
Old Nr	Tyco Nr	Description	Material	Plating

DIMENSIONS:		TOLERANCES UNLESS OTHERWISE SPECIFIED:		APPROVALS		TYCO ELECTRONICS			
mm				CHK	DATE	Tyco Electronics Oostkamp - Belgium			
		0 PLC	±	MOROBE	04 APR 2001	tyco Electronics			
		1 PLC	±0.5	CHK	9 APR 2001				
		2 PLC	±0.13	MATTHEEUW S	9 APR 2001				
		3 PLC	±0.013	APVD	LEEMAN			9 APR 2001	
MATERIAL -		FINISH -		PRODUCT SPEC		NAME			
				108-71032		BULKHEAD ANGLE PLUG WITH PCB CONNECTION			
				APPLICATION SPEC		1.0/2.3 INSERT 50 Ohm			
				WEIGHT -		SIZE	CAGE CODE	DRAWING NO	RESTRICTED TO
				RESTRICTED CUSTOMER		A3	00779	1-1393662-2	-
						SCALE 10/1		SHEET 1 OF 1	REV A1

