

Recommended PCB Layout
(Top View)

Material and Finish

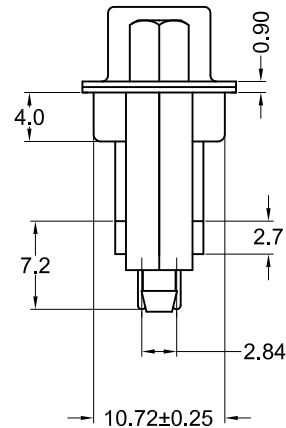
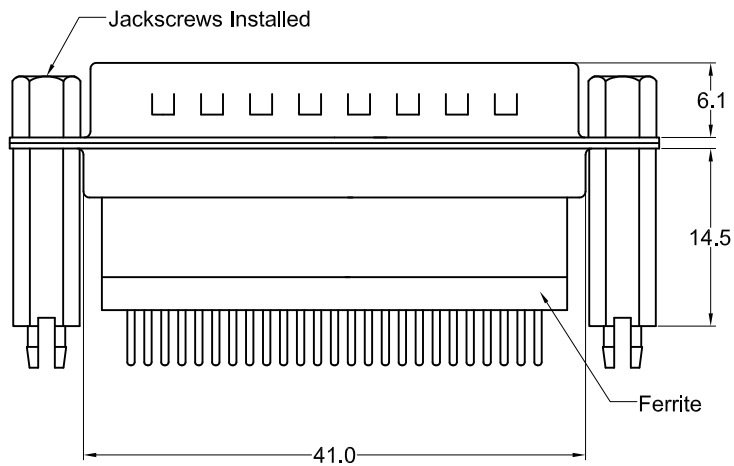
Shell: Steel, Nickel Plated
Insulator: PBT with Glass-Fiber Reinforcement
UL 94V-0 Rated
Color-Black

Contact Material: Brass

Contact Plating Options:
Standard Option:
Gold Flash over Nickel
on Entire Contact

Electrical Specifications

- Rated Current: 2A
- Rated Voltage: 30V RMS
- Dielectric Withstanding Voltage:
1000V (rms) AC for 1 minute
- Insulation Resistance:
more than 1000 Megohm
at 500V DC
- Contact Resistance:
13 milliohm max.
- Temperature Rating:
-55°C to +105°C



| Ferrite Specifications | |
|------------------------|----------------|
| Measured Value(OHM) | Test Frequency |
| 20 MIN. | 25 MHz. |
| 50 MIN. | 100 MHz. |

RoHS COMPLIANT



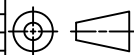
| Tolerances |
|----------------------------|
| X.X ± 0.25 |
| X.XX ± 0.15 |
| Unless Stated Otherwise |

| REV. | DATE | DESCRIPTION | REV. BY | CHK. BY | DRAWN BY | DATE |
|------|----------|-------------|------------|-------------|----------|----------|
| A1 | 02/03/11 | New Drawing | S. Vien | H. MA | | |
| A2 | 12/31/17 | ECO #17-035 | J. Elbanna | C. Furumasu | S. Vien | 04/10/10 |
| | | | | | | |
| | | | | | | |
| | | | | | | |

KF88X-BC-25P-BRJ

Vertical D-Sub, 25 Pin Male, RoHS Compliant

Ferrite, Boardlocks, JS, Mach Pins



UNITS
mm