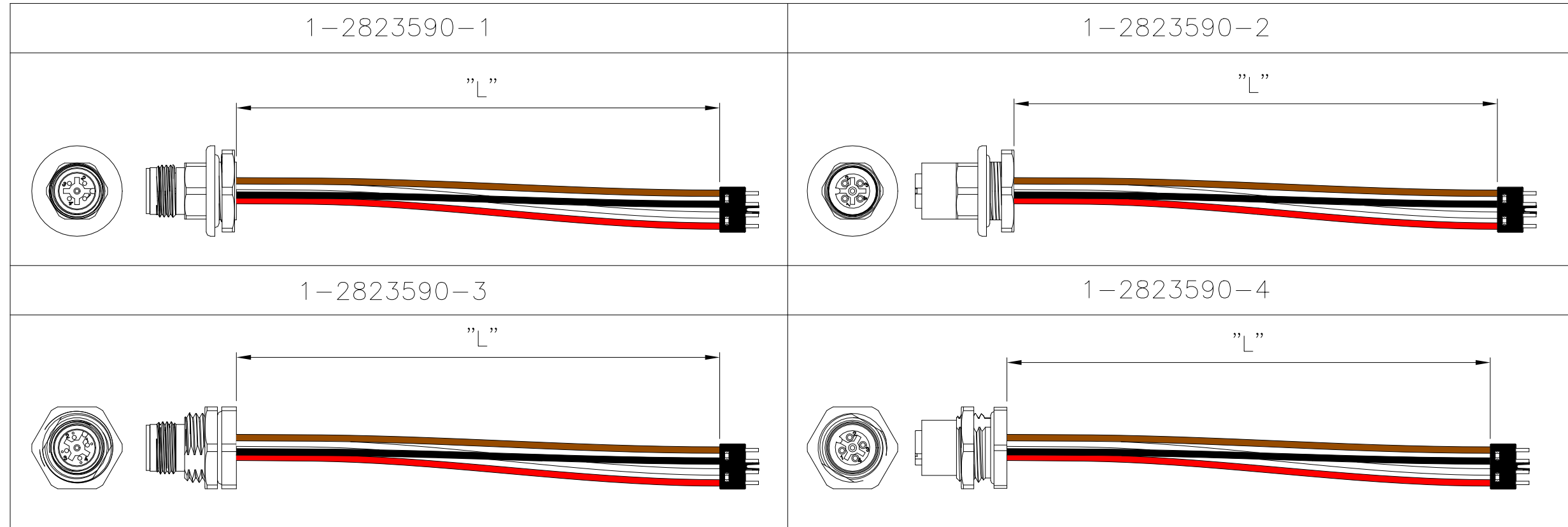


PROJECT	PRJ-14-000004825
PART NO	X-2823590-X
HV DESC	M12, A-CODED, PCB MOUNT CABLES
CUSTOMER	GENERAL MARKET

P	LTR	DESCRIPTION	DATE	DWN	APVD
	A2	ADDED MISSING INFORMATION	29SEP2020	GK	SE

A-CODE 5 POSITION

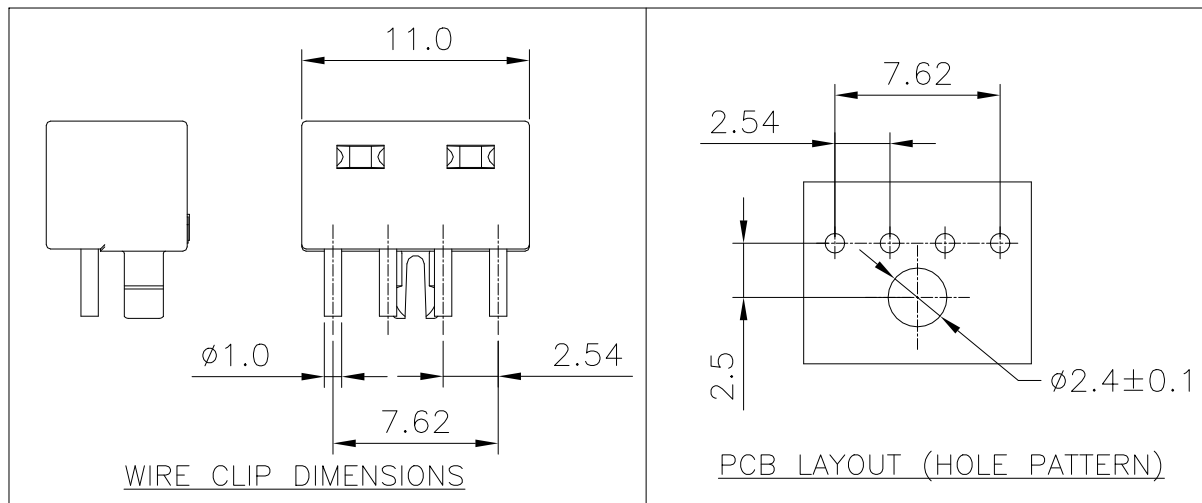


PART NUMBER	DESCRIPTION	CODE TYPE AND PANEL MOUNTING	CABLE LENGTH "L"
1-2823590-1	M12 A-CODE 5, MALE FRONT PANEL MOUNT	A5 MALE, FRONT MOUNTED	80mm
1-2823590-2	M12 A-CODE 5, FEMALE FRONT PANEL MOUNT	A5 FEMALE, FRONT MOUNTED	80mm
1-2823590-3	M12 A-CODE 5, MALE REAR PANEL MOUNT	A5 MALE, REAR MOUNTED	80mm
1-2823590-4	M12 A-CODE 5, FEMALE REAR PANEL MOUNT	A5 FEMALE, REAR MOUNTED	80mm

A5 PIN#	COLOR	CLIP PIN#
1	BROWN	1
2	BLACK	2
3	WHITE	3
4	RED	4
5	N/A	EMPTY

PIN ASSIGNMENTS A5 CODING

REFER PAGE-2 FOR PANEL CUT-OUT INFORMATION



THIS DRAWING IS A CONTROLLED DOCUMENT.

DIMENSIONS:	TOLERANCES UNLESS OTHERWISE SPECIFIED:
mm	0 PLC ± -
	1 PLC ± -
	2 PLC ± -
	3 PLC ± -
	4 PLC ± -
	ANGLES ± -
MATERIAL	FINISH

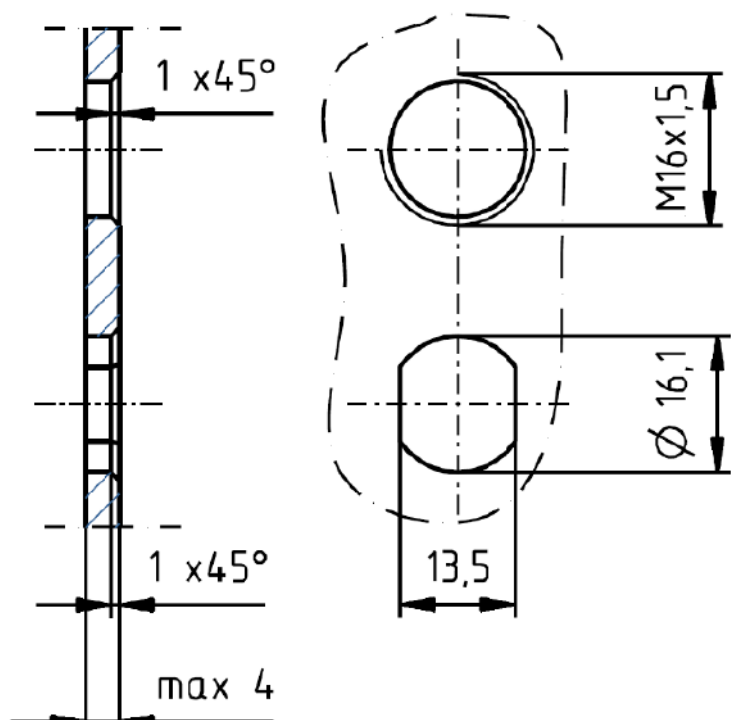
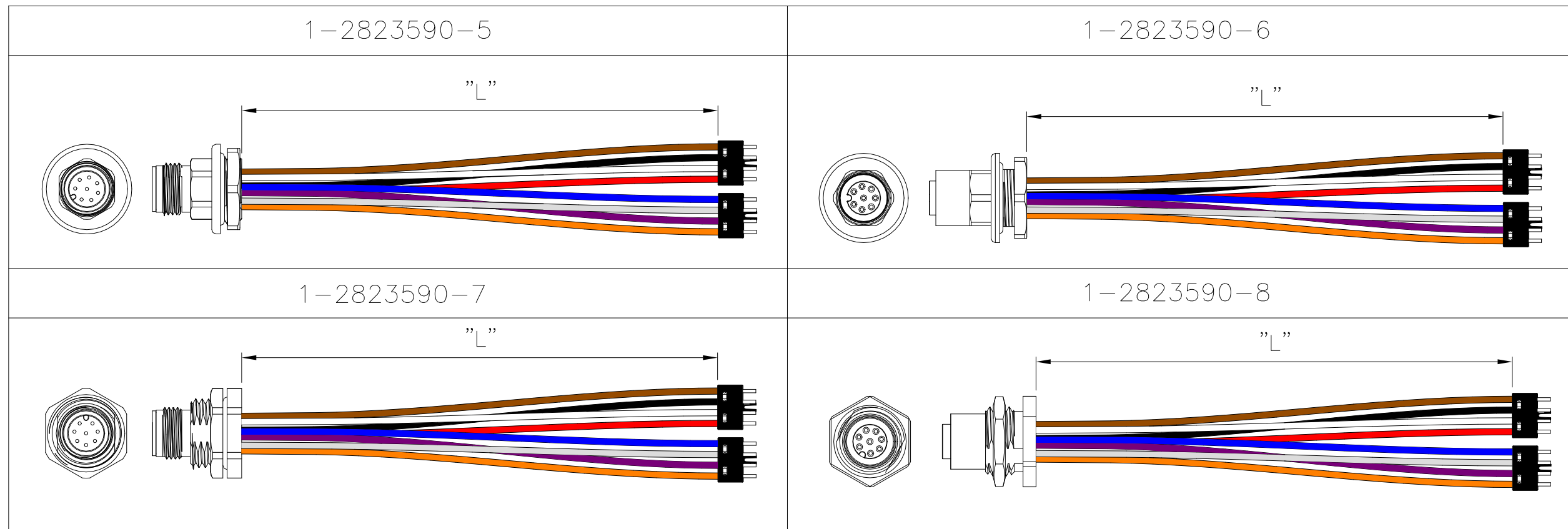
DWN	16SEP2020
GOPALAKRISHNA HV	
CHK	16SEP2020
S EGBERT	
APVD	16SEP2020
S EGBERT	
PRODUCT SPEC	
APPLICATION SPEC	
WEIGHT	-



NAME				M12, A-CODED PCB MOUNT CABLES			
SIZE	CAGE CODE	DRAWING NO	RESTRICTED TO				
A3	00779	C-2823590	-				
CUSTOMER DRAWING		SCALE	SHEET	REV			
		NTS	1 OF 2	A2			

P	LTR	DESCRIPTION	DATE	DWN	APVD
-	-	SEE SHEET 1	-	-	-

A-CODE 8 POSITION



PANEL CUT-OUT INFORMATION

PART NUMBER	DESCRIPTION	CODE TYPE AND PANEL MOUNTING	CABLE LENGTH "L"
1-2823590-5	M12 A-CODE 8,MALE FRONT PANEL MOUNT	A8 MALE, FRONT MOUNTED	80mm
1-2823590-6	M12 A-CODE 8,FEMALE FRONT PANEL MOUNT	A8 FEMALE, FRONT MOUNTED	80mm
1-2823590-7	M12 A-CODE 8,MALE REAR PANEL MOUNT	A8 MALE, REAR MOUNTED	80mm
1-2823590-8	M12 A-CODE 8,FEMALE REAR PANEL MOUNT	A8 FEMALE, REAR MOUNTED	80mm

A8 PIN#	COLOR	CLIP PIN#
1	BROWN	CLIP1, PIN1
2	BLACK	CLIP1, PIN2
3	WHITE	CLIP1, PIN3
4	RED	CLIP1, PIN4
5	BLUE	CLIP2, PIN1
6	GREY	CLIP2, PIN2
7	PURPLE	CLIP2, PIN3
8	OCHER BROWN	CLIP2, PIN4

PIN ASSIGNMENTS A8 CODING

REFER PAGE-1 FOR WIRE CLIP DIMENSIONS AND THE PCB LAYOUT (HOLE PATTERN)

THIS DRAWING IS A CONTROLLED DOCUMENT.		DWN 16SEP2020 GOPALAKRISHNA HV	TE Connectivity	
DIMENSIONS: mm		CHK 16SEP2020 S EGBERT		
TOLERANCES UNLESS OTHERWISE SPECIFIED:		APVD 16SEP2020 S EGBERT	NAME	
0 PLC ± - 1 PLC ± - 2 PLC ± - 3 PLC ± - 4 PLC ± - ANGLES ± -		PRODUCT SPEC	M12, A-CODED PCB MOUNT CABLES	
MATERIAL		FINISH	APPLICATION SPEC	RESTRICTED TO
-		-	SIZE	-
		WEIGHT	CAGE CODE	-
			DRAWING NO	-
			A3 00779	-
			C=2823590	-
			CUSTOMER DRAWING	-
			SCALE	REV
			NTS	A2
			SHEET	
			2 OF 2	