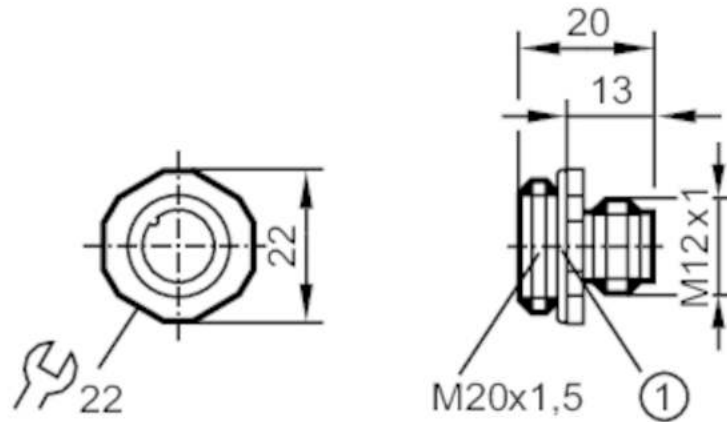


# E11295



## Adapter plug

ESTGH040MSS0,12E04 (M20)



### Electrical data

Operating voltage [V] < 45 AC / < 70 DC

### Operating conditions

Ambient temperature [°C] -25...85

Protection IP 68

### Mechanical data

Weight [g] 19.6

Mounting thread M20

Materials brass nickel-plated

Moulded-body material brass, nickel-plated

### Remarks

Pack quantity 1 pcs.

### Electrical connection

Cable: 0.12 m, PVC; 4 x 0.25 mm<sup>2</sup>

### Electrical connection - plug

Connector: 1 x M12, straight; coding: A; Moulded body: brass, nickel-plated



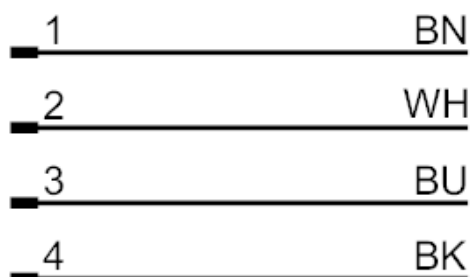
# E11295



## Adapter plug

ESTGH040MSS0,12E04 (M20)

### Connection



Core colours :

BK = black  
BN = brown  
BU = blue  
WH = white