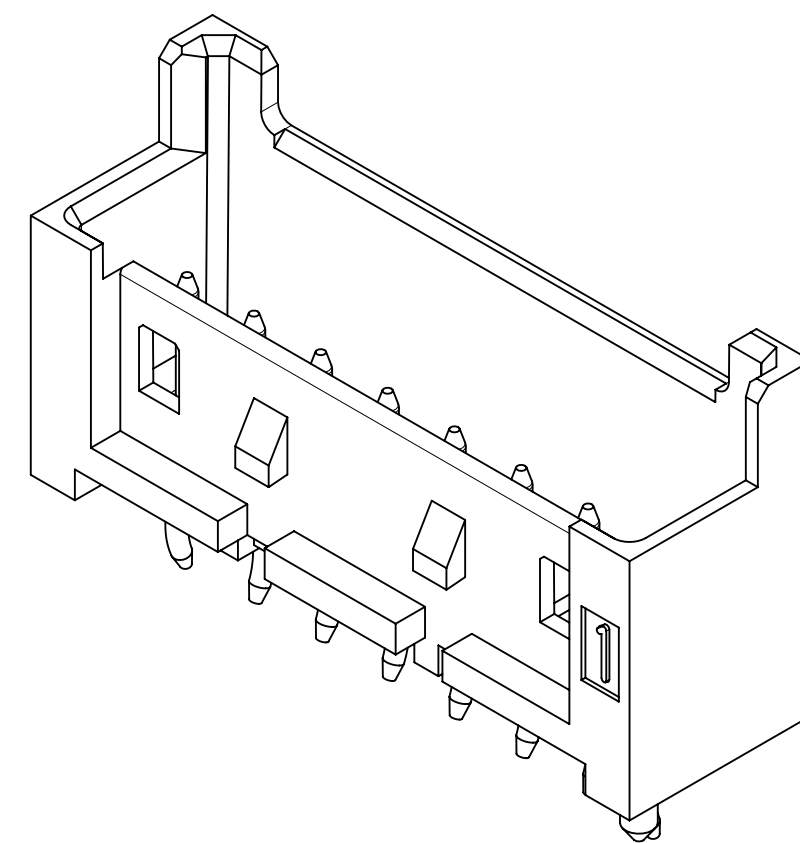


NOTES

- ① 材料及び仕上げ(めっき仕様) : TABLE 1参照
MATERIAL AND FINISHES : SEE TABLE 1
2. 製品仕様書 : 511630000-PS 000
PRODUCT SPECIFICATION:511630000-PS 000
3. 梱包仕様書 : 534769200-SPK 200
PACKAGING SPECIFICATION: 534769200-SPK 200
4. 嵌合相手 : 51163 シリーズ
MATES WITH:51163 SERIES
5. アプリケーション仕様書(コネクタ取扱い説明書) : 2166940000-AS PS 000
APPLICATION SPECIFICATION(CONNECTOR MANUAL) : 2166940000-AS PS 000
- ⑥ 偶数極に適合
APPLY FOR EVEN CIRCUIT
- ⑦ 3極以上のキンク形状は両サイドが (A)、その他の極はすべて (B) 形状とする
KINK FORM
MORE THAN 2 CIRCUIT :
PINS AT BOTH ENDS ARE KINK FORMED TO (A) .
THE OTHER PINS ARE KINK FORMED TO (B) .
8. GLOW WIRE TEST 準拠品
THIS PRODUCT IS GLOW WIRE TEST COMPATIBLE.

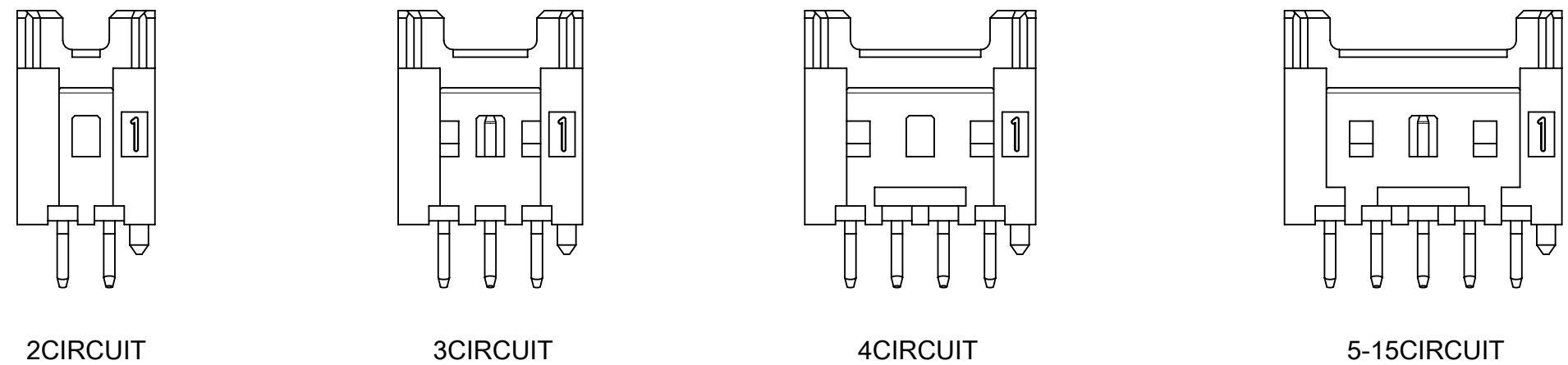


38.2	35	39.9	534761510	15
35.7	32.5	37.4	534761410	14
33.2	30	34.9	534761310	13
30.7	27.5	32.4	534761210	12
28.2	25	29.9	534761110	11
25.7	22.5	27.4	534761010	10
23.2	20	24.9	534760910	9
20.7	17.5	22.4	534760810	8
18.2	15	19.9	534760710	7
15.7	12.5	17.4	534760610	6
13.2	10	14.9	534760510	5
10.7	7.5	12.4	534760410	4
8.2	5	9.9	534760310	3
5.7	2.5	7.4	534760210	2
C	B	A	発注番号 ORDER No.	極数 CIRCUIT SIZE
			梱包形態 : ポリ袋 PACKAGE : POLY BAG	

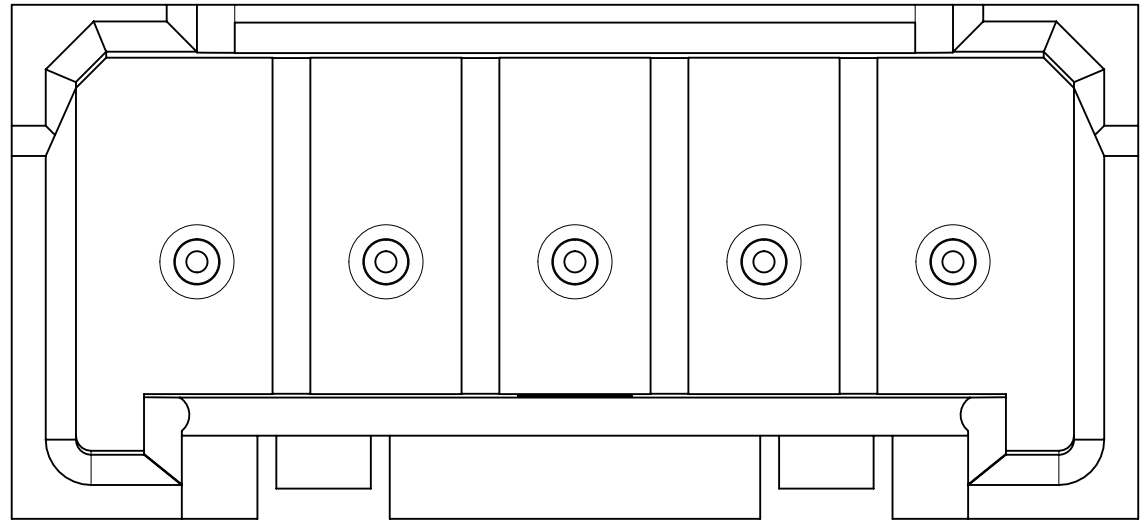
TABLE 1

部品 PART	材料 MATERIAL
① プラグハウジング PLUG HOUSING	ポリアミド, ガラス含有 UL94 V-0 色 : ナチュラル(白) POLYAMIDE(PA),GLASS FILLED,UL94 V-0,COLOR:NATURAL(WHITE)
② プラグピン PLUG PIN	りん青銅 PHOSPHOR BRONZE
	錫めっき : 1.0MICRO METER MINIMUM. TIN PLATING : 1.0MICRO METER MINIMUM.
	銅めっき(下地めっき):0.5MICRO METER MINIMUM COPPER PLATING(UNDER PLATING):0.5MICRO METER MINIMUM.

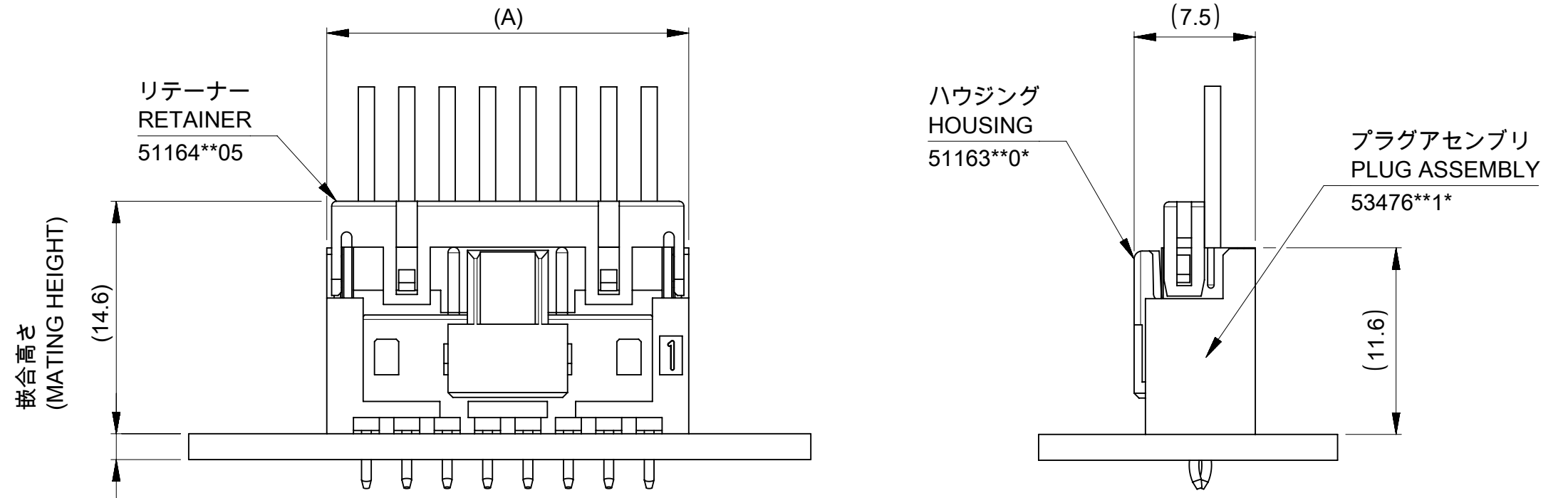
THIS DRAWING CONTAINS INFORMATION THAT IS PROPRIETARY TO MOLEX ELECTRONIC TECHNOLOGIES, LLC AND SHOULD NOT BE USED WITHOUT WRITTEN PERMISSION									
DIMENSION UNITS mm		SCALE NTS		CURRENT REV DESC:					
GENERAL TOLERANCES (UNLESS SPECIFIED)				EC NO: 659548					
ANGULAR TOL ± 3.0°				4 PLACES ± 0.2		DRWN: RWATANABE01		2021/03/30	
				3 PLACES ± 0.2		CHK'D: AIDA		2021/04/06	
				2 PLACES ± 0.2		APPR: SAKIYAMA		2021/04/06	
				1 PLACE ± 0.2		INITIAL REVISION:			
				0 PLACES ± 0.2		DRWN: RWATANABE01		2020/11/16	
						APPR: SAKIYAMA		2020/11/20	
DRAFT WHERE APPLICABLE MUST REMAIN WITHIN DIMENSIONS				THIRD ANGLE PROJECTION		DRAWING A2-SIZE		SERIES 53476	
DOCUMENT STATUS P1			RELEASE DATE 2021/04/06 06:45:34			DOCUMENT NUMBER 534760000-SD		DOC TYPE PSD	
						CUSTOMER GENERAL		DOC PART 000	
						SHEET NUMBER 1 OF 2		REVISION B	



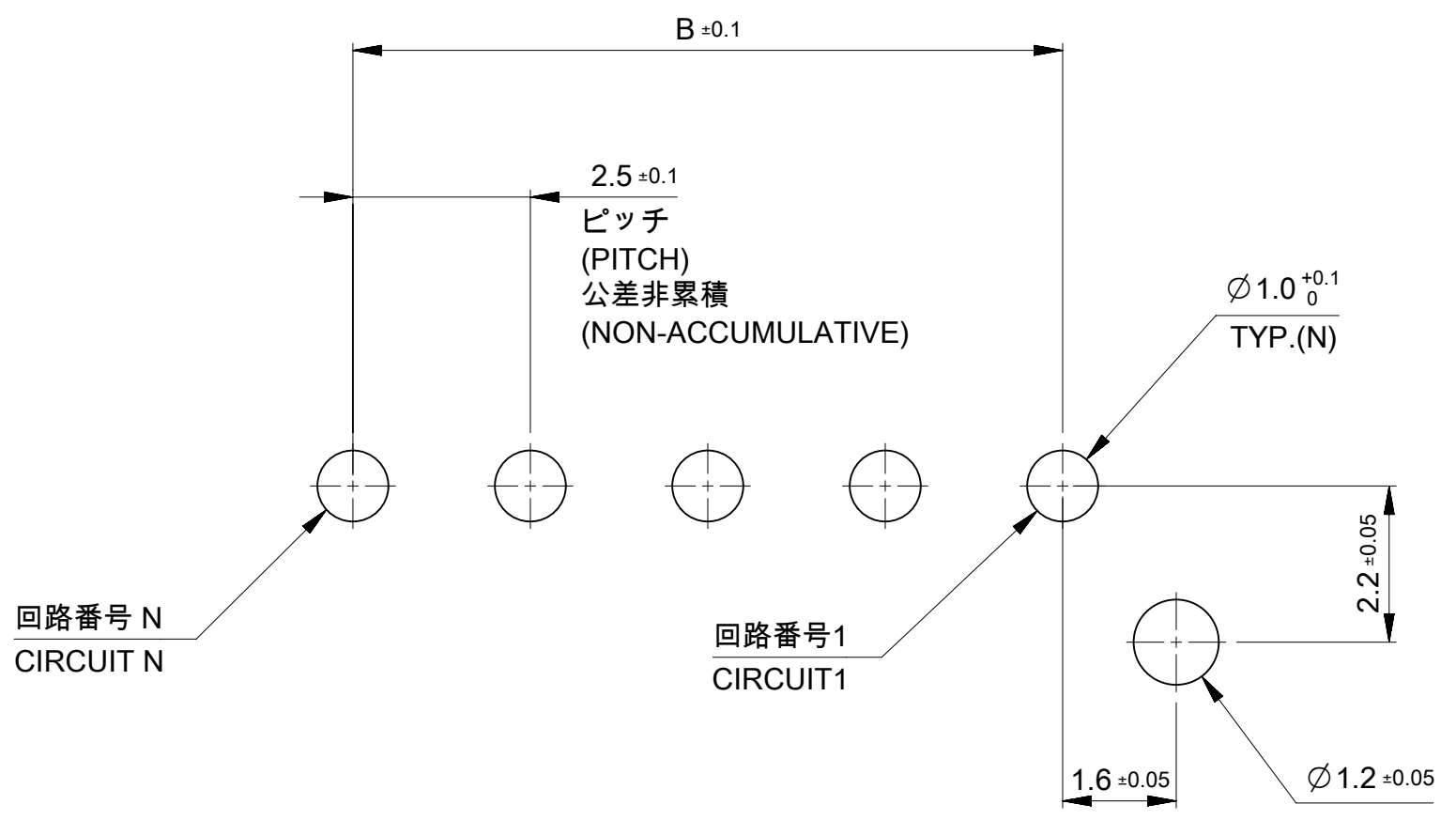
ロック形状図
LOCK CONFIGURATION



製品レイアウト
PRODUCT LAYOUT



嵌合図
MATED CONNECTORS



基板取付穴推奨寸法(マウント面)
RECOMMENDED PCB HOLE DIMENSION
(MOUNTING SIDE), (t=1.6)

THIS DRAWING CONTAINS INFORMATION THAT IS PROPRIETARY TO MOLEX ELECTRONIC TECHNOLOGIES, LLC AND SHOULD NOT BE USED WITHOUT WRITTEN PERMISSION									
DIMENSION UNITS	SCALE	CURRENT REV DESC:							
mm	NTS								
GENERAL TOLERANCES (UNLESS SPECIFIED)					MINI-LOCK 2.5 W/B SINGLE ROW VERTICAL PLUG ASSEMBLY				
ANGULAR TOL	± 3.0°	EC NO: 659548			PRODUCT CUSTOMER DRAWING				
4 PLACES	± 0.2	DRWN: RWATANABE01	2021/03/30	DOCUMENT NUMBER					
3 PLACES	± 0.2	CHK'D: AIDA	2021/04/06	534760000-SD					
2 PLACES	± 0.2	APPR: SAKIYAMA	2021/04/06	DOC TYPE DOC PART REVISION					
1 PLACE	± 0.2	INITIAL REVISION:			PSD 000 B				
0 PLACES	± 0.2	DRWN: RWATANABE01	2020/11/16	MATERIAL NUMBER					
DRAFT WHERE APPLICABLE MUST REMAIN WITHIN DIMENSIONS		THIRD ANGLE PROJECTION	DRAWING	SERIES	CUSTOMER		SHEET NUMBER		
			A2-SIZE	53476	GENERAL		2 OF 2		