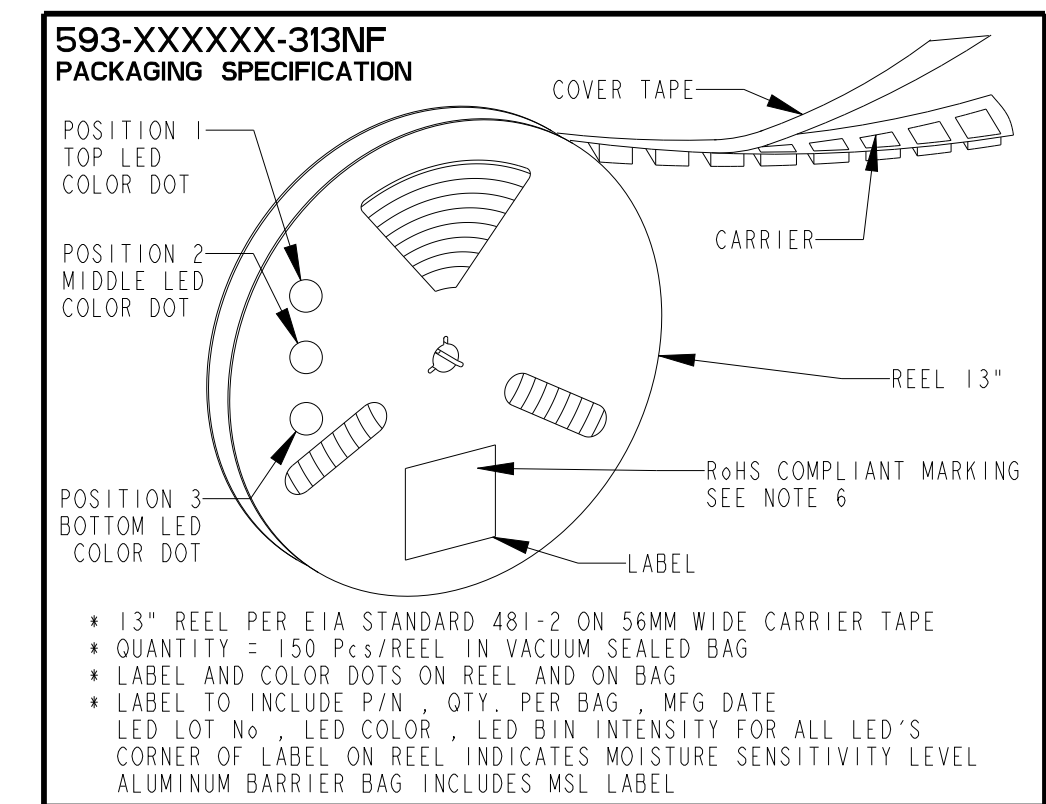
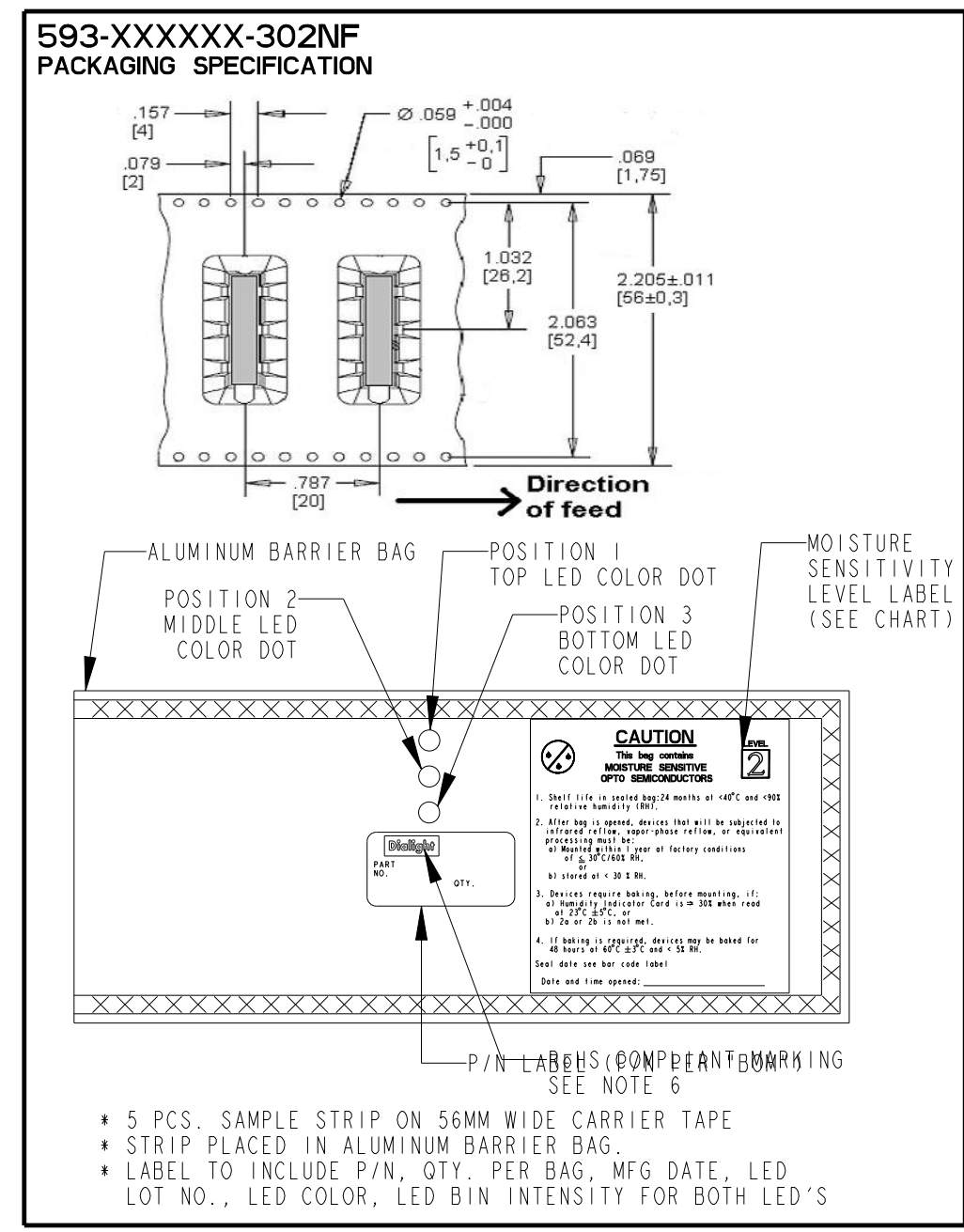


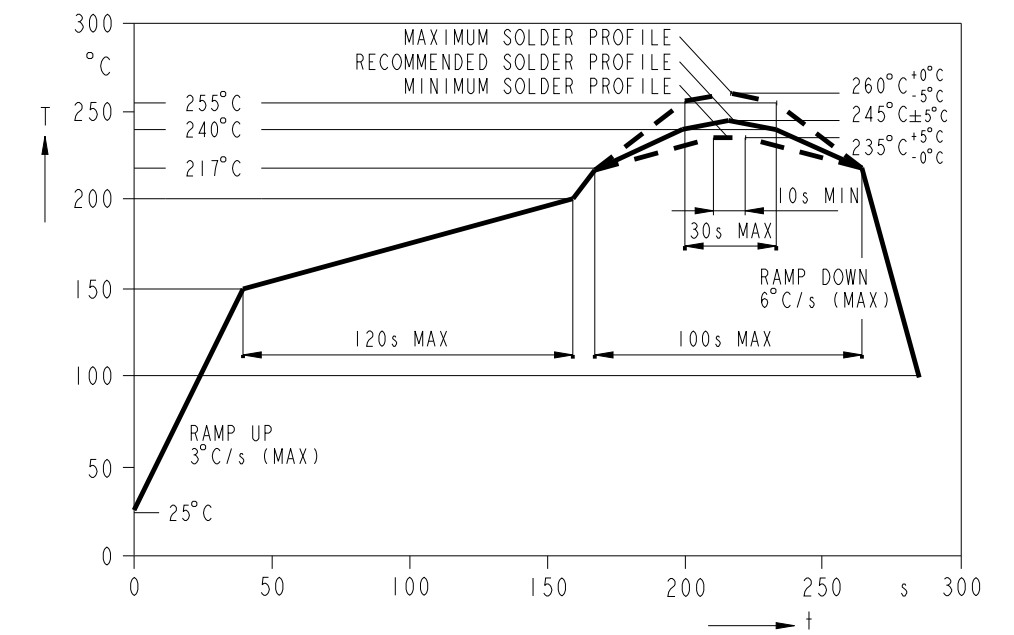
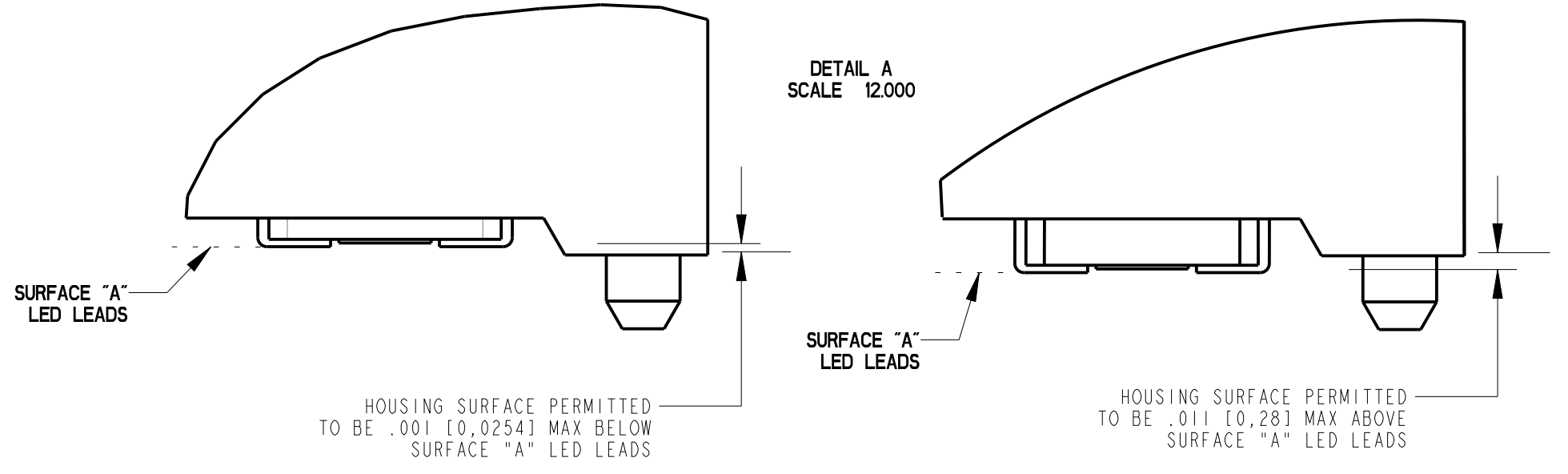
PART NUMBER	POSITION 1	POSITION 2	POSITION 3	MSL	PAD LAYOUT REFERENCE
593-202020-302NF	RED	RED	RED	2	FIG. 1
593-202020-313NF					
593-202024-302NF	RED	RED	YELLOW	2	FIG. 1
593-202024-313NF					
593-202324-302NF	RED	GREEN	YELLOW	2	FIG. 1
593-202324-313NF					
593-202326-302NF	RED	GREEN	BLUE	2	FIG. 1
593-202326-313NF					
593-203120-302NF	RED	YELLOW	RED	2	FIG. 1 & FIG. 2
593-203120-313NF					
593-212121-302NF	AlGaAs RED	AlGaAs RED	AlGaAs RED	3	FIG. 1
593-212121-313NF					
593-212130-302NF	AlGaAs RED	AlGaAs RED	SUPER RED GREEN	3	FIG. 1 & FIG. 2
593-212130-313NF					
593-212222-302NF	AlGaAs RED	GREEN	GREEN	3	FIG. 1
593-212222-313NF					
593-212226-302NF	AlGaAs RED	GREEN	BLUE	3	FIG. 1
593-212226-313NF					
593-212729-302NF	AlGaAs RED	AlInGaP YELLOW	InGaN GREEN	3	FIG. 1
593-212729-313NF					
593-222221-302NF	GREEN	GREEN	AlGaAs RED	3	FIG. 1
593-222221-313NF					
593-222721-302NF	GREEN	AlInGaP YELLOW	AlGaAs RED	3	FIG. 1
593-222721-313NF					
593-223020-302NF	GREEN	RED/GREEN	RED	2	FIG. 1 & FIG. 2
593-223020-313NF					
593-232323-302NF	GREEN	GREEN	GREEN	2	FIG. 1
593-232323-313NF					
593-232420-302NF	GREEN	YELLOW	RED	2	FIG. 1
593-232420-313NF					
593-232424-302NF	GREEN	YELLOW	YELLOW	2	FIG. 1
593-232424-313NF					
593-232627-302NF	GREEN	BLUE	AlInGaP YELLOW	2	FIG. 1
593-232627-313NF					
593-242320-302NF	YELLOW	GREEN	RED	2	FIG. 1
593-242320-313NF					
593-242424-302NF	YELLOW	YELLOW	YELLOW	2	FIG. 1
593-242424-313NF					
593-272020-302NF	YELLOW	RED	RED	2	FIG. 1
593-272020-313NF					
593-272129-302NF	AlInGaP YELLOW	AlGaAs RED	InGaN GREEN	2	FIG. 1
593-272129-313NF					
593-272323-302NF	AlInGaP YELLOW	GREEN	GREEN	2	FIG. 1
593-272323-313NF					
593-292721-302NF	InGaN GREEN	AlInGaP YELLOW	AlGaAs RED	2	FIG. 1
593-292721-313NF					
593-312020-302NF	YELLOW GREEN	RED	RED	2	FIG. 1 & 2
593-312020-313NF	YELLOW GREEN	RED	RED	2	FIG. 1 & 2
593-353535-302NF	RED GREEN BLUE	RED GREEN BLUE	RED GREEN BLUE	2A	FIG. 2
593-353535-313NF					



MULTI-COLOR LED PIN REFERENCES

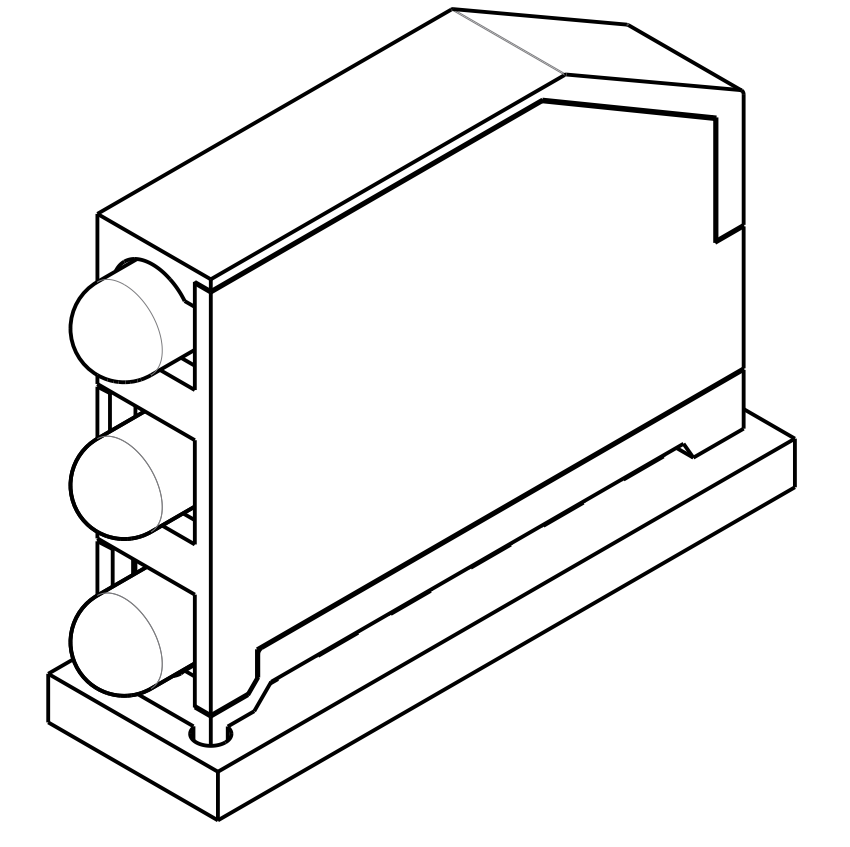
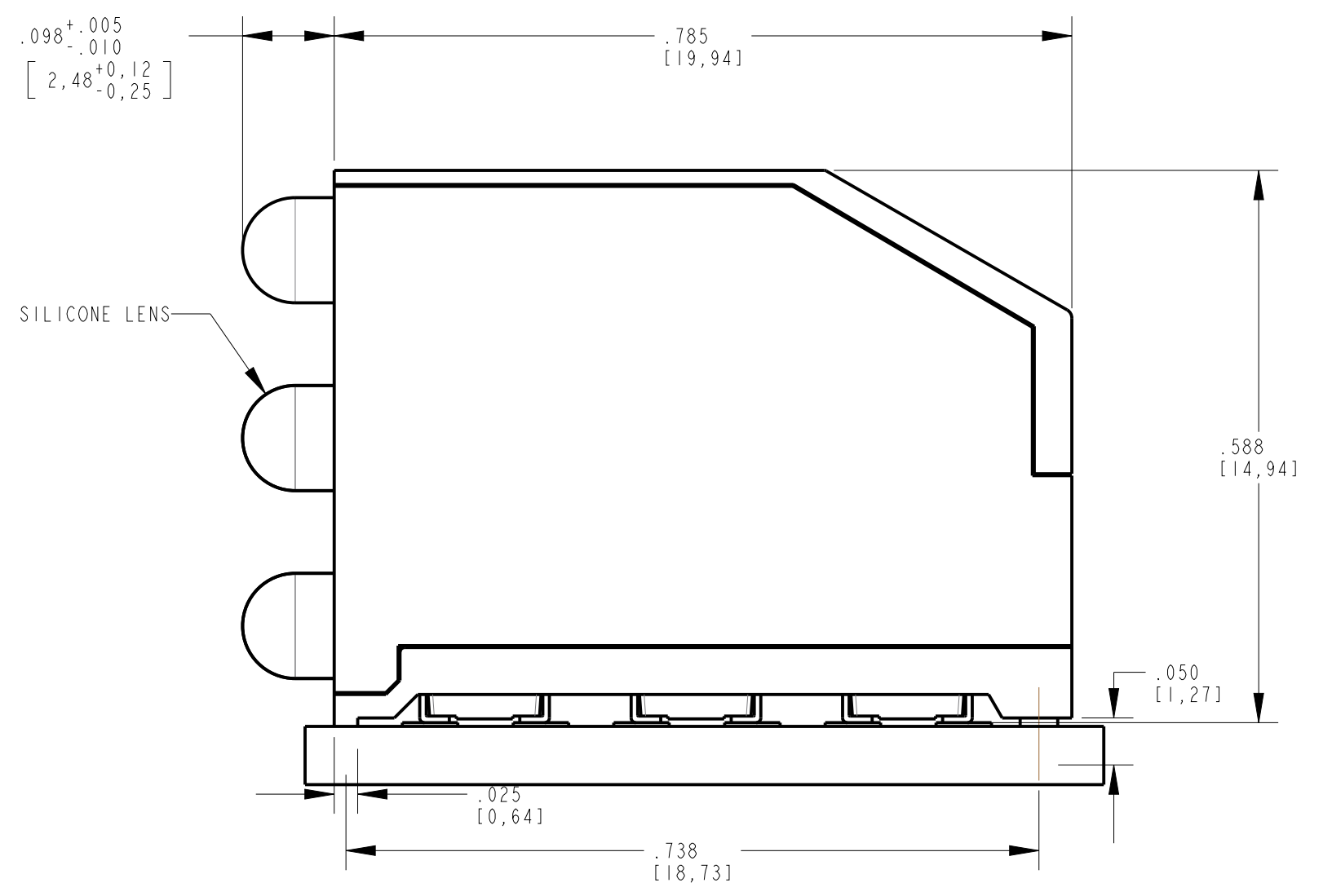
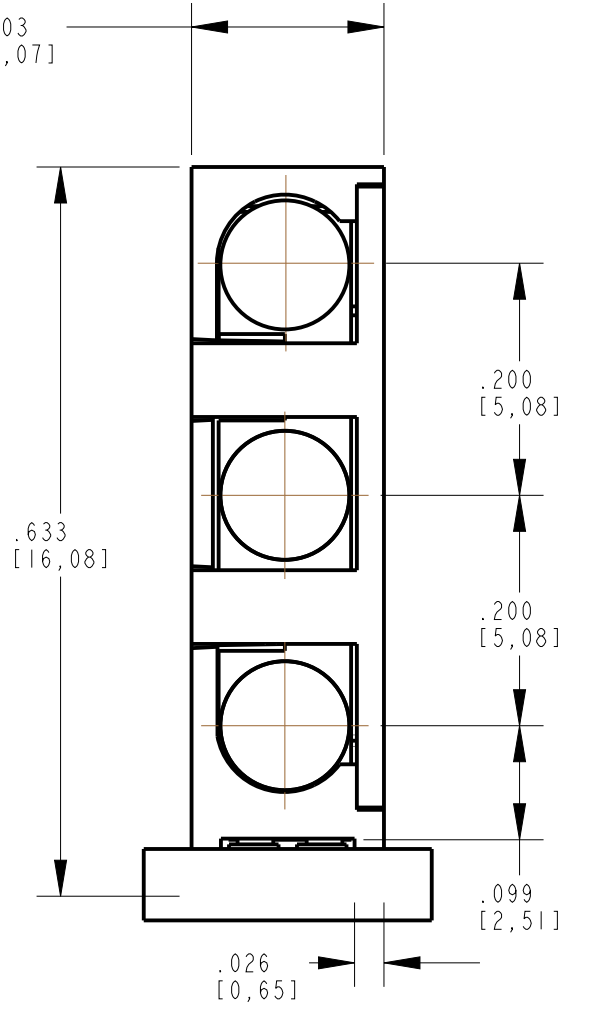
LED COLOR	PIN 1	PIN 2	PIN 3	PIN 4
R/Y BI-COLOR	RED CATHODE	RED ANODE	YELLOW ANODE	YELLOW CATHODE
Y/G BI-COLOR	YELLOW CATHODE	YELLOW ANODE	GREEN ANODE	GREEN CATHODE
R/G BI-COLOR	RED CATHODE	RED ANODE	GREEN ANODE	GREEN CATHODE
R/G/B TRI-COLOR	RED CATHODE	RED COMMON ANODE	GREEN CATHODE	BLUE CATHODE

RoHS COMPLIANT 593-XXXXXX-3XXNF
 Part Numbers with the "F" suffix ending are RoHS Compliant.
 Packaging is marked with "RoHS Compliant" label or equivalent markings.

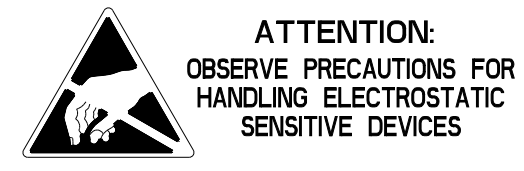
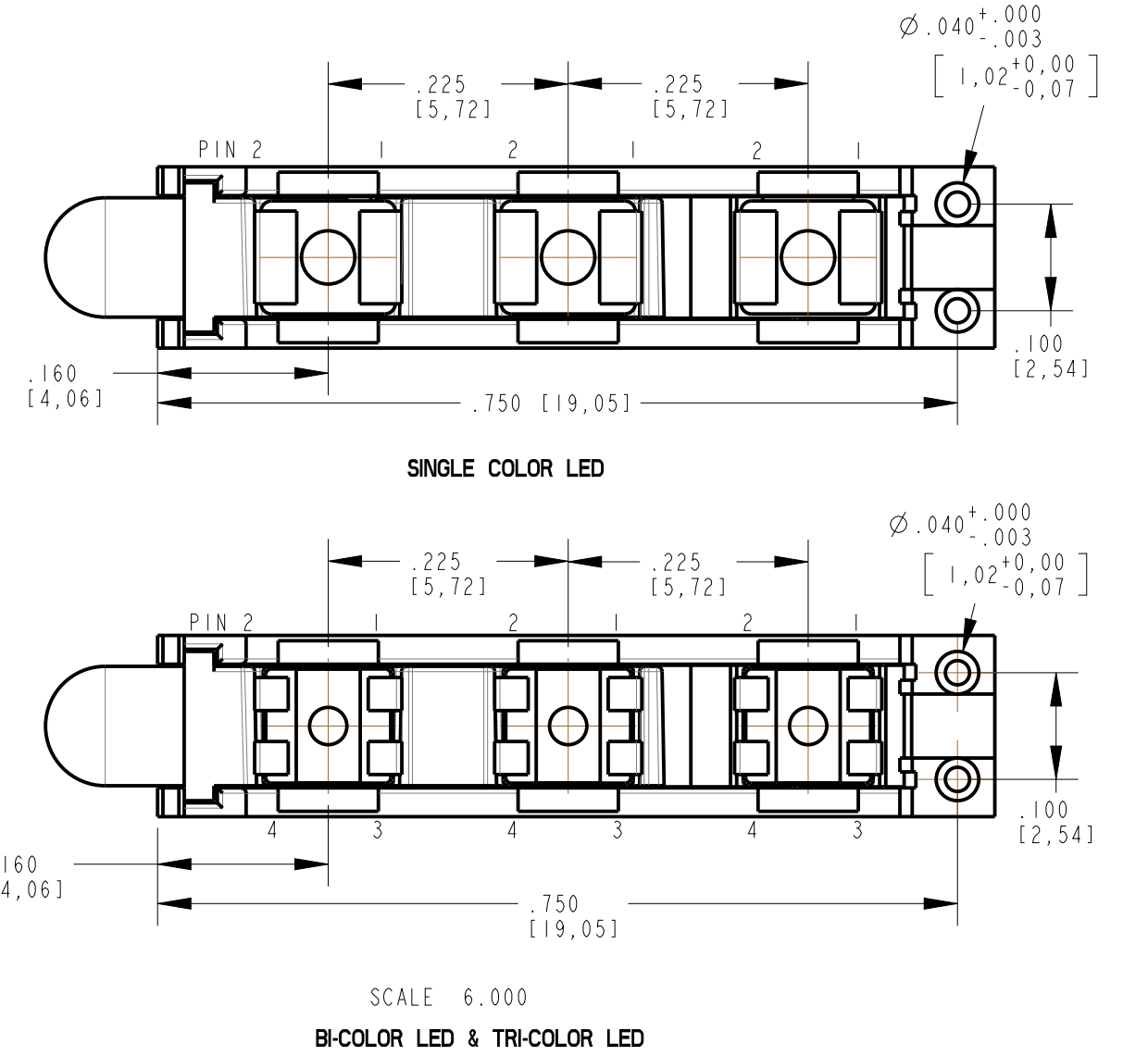
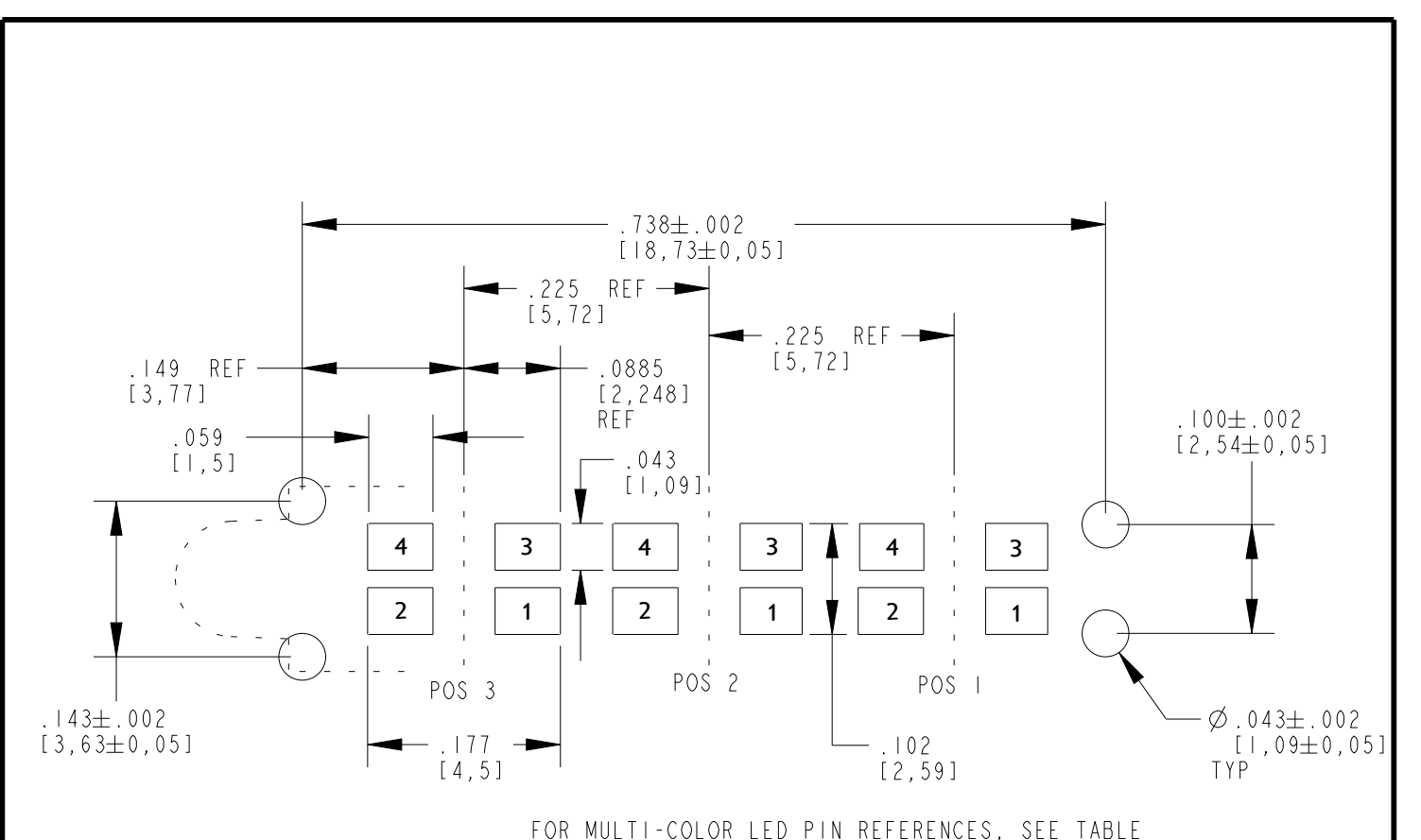
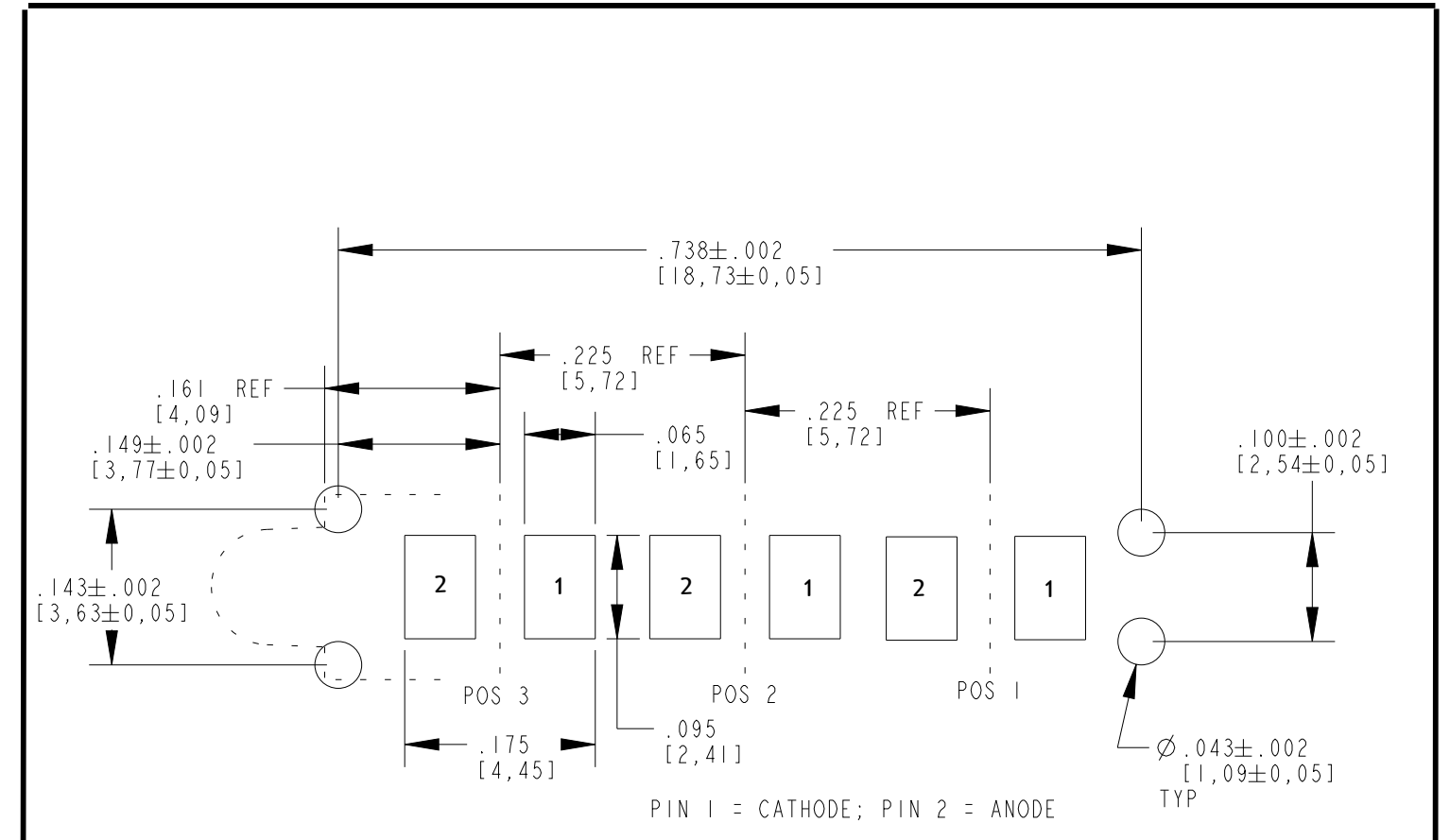


OPERATING CHARACTERISTICS AT 25°C AMBIENT

COLOR CODE	COLOR	LUMINOUS INTENSITY	FORWARD VOLTAGE (V)				DOMINANT WAVELENGTH (nm)	
			TEST COND	TYP	MAX	MIN	TYP	MAX
10	RED 2mA	5 mcd @IF=2mA	IF = 2mA	1.7	2.2	624	630	636
13	GREEN 2mA	4 mcd @IF=2mA	IF = 2mA	1.7	2.2	566	570	575
14	YELLOW 2mA	4.3 mcd @IF=2mA	IF = 2mA	1.7	2.2	580	587	595
15	ORANGE 2mA	7 mcd @IF=2mA	IF = 2mA	1.7	2.2	600	606	609
20	RED	16 mcd @IF=10mA	IF = 20mA	2.0	2.5	627	633	639
21	AlGaAs RED	41 mcd @IF=10mA	IF = 20mA	1.85	2.5	—	640	—
22	HI. INT. GREEN	66 mcd @IF=10mA	IF = 20mA	2.0	2.5	566	570	575
23	GREEN	66 mcd @IF=10mA	IF = 20mA	2.0	2.4	566	570	575
24	YELLOW	66 mcd @IF=10mA	IF = 20mA	2.0	2.4	580	587	595
26	BLUE	10 mcd @IF=20mA	IF = 10mA	3.1	3.7	465	471	477
27	AlInGaP YELLOW	36 mcd @IF=20mA	IF = 10mA	2.0	2.4	580	587	595
28	WHITE	62 mcd @IF=20mA	IF = 10mA	3.1	3.4	—	533	—
29	InGaN GREEN	213 mcd @IF=20mA	IF = 20mA	3.7	4.3	—	525	—
30	RED/GREEN BI-COLOR	RED 11 mcd @IF=10mA	IF = 10mA	2.0	2.5	622	628	634
		GREEN 6 mcd @IF=10mA	IF = 10mA	2.0	2.5	564	570	576
31	YELLOW/GREEN BI-COLOR	YELLOW 13 mcd @IF=10mA	IF = 10mA	2.0	2.5	584	590	596
		GREEN 6 mcd @IF=10mA	IF = 10mA	2.0	2.5	564	570	576
32	RED/YELLOW BI-COLOR	RED 34 mcd @IF=20mA	IF = 20mA	2.0	2.3	627	633	639
		YELLOW 26 mcd @IF=20mA	IF = 20mA	2.0	2.4	580	587	595
35	RED/GRN/BLUE TRI-COLOR	RED 45 mcd @IF=20mA	IF = 20mA	1.9	2.4	—	626	—
		GREEN 114 mcd @IF=20mA	IF = 20mA	3.4	4.05	515	525	535
		BLUE 25 mcd @IF=20mA	IF = 20mA	3.4	4.05	460	470	480



- NOTES:
- PRODUCT P/N'S WITH "F" SUFFIX ENDING ARE RoHS COMPLIANT. LED LEADS ARE PLATED TIN (Sn) WITH NICKEL (Ni) UNDERPLATE ON COPPER (Cu) LEADS.
 - STORAGE OF TAPED PARTS SHALL NOT EXCEED TWELVE (12) MONTHS AFTER WHICH RE-PACKAGING IS REQUIRED.
 - FRONT AND REAR TERMINALS (OF EACH LED) OF THE ASSEMBLY TO BE WITHIN .005 COPLANARITY.
 - REFER TO CHART FOR PROPER MOISTURE SENSITIVITY LEVEL.
 - *** CAUTION ***
- FOR PRODUCTS THAT ARE ESD SENSITIVE, OBSERVE PRECAUTIONS IN HANDLING ELECTROSTATIC SENSITIVE DEVICES. FOR EYE SAFETY DO NOT STARE DIRECTLY INTO THE LIGHT BEAM OF THESE LED DEVICES AT CLOSE RANGE.
- THIS PRODUCT IS RoHS COMPLIANT. EACH BAG IS MARKED WITH RoHS COMPLIANT LABEL OR EQUIVALENT MARKINGS. LED MUST BE Pb FREE (RoHS COMPLIANT).
- DIALIGHT PART NUMBERS: 593-XXXXXX-302NF (STRIP) 593-XXXXXX-313NF (REEL)



THIS DRAWING AND THE CONTENTS HEREIN ARE CONFIDENTIAL AND THE SOLE PROPERTY OF DIALIGHT. REPRODUCTION OF THIS DRAWING OR CONSTRUCTION OF ANY PARTS WITHIN THIS DRAWING ARE FORBIDDEN WITHOUT THE WRITTEN CONSENT OF DIALIGHT.	
SCALE: 6:000	DRAWING NUMBER: C-18504
ALL DIM'S IN: INCHES (MM)	REV: A
TOLERANCES: UNLESS OTHERWISE SPECIFIED	TITLE: TRI-LEVEL PRISM
FRACTIONS: ±1/64	MATERIAL: RoHS COMPLIANT
DECIMALS (.XX): ±.01	FINISH: -
DECIMALS (.XXX): ±.005	FSCM: 83330
DECIMALS (.XXXX): ±.0005	SHEET: 1 OF 1 FAMILY TABLE:
ANGLES: ±3°	Dialight 1501 ROUTE 34 SOUTH FARMINGDALE, NJ 07727