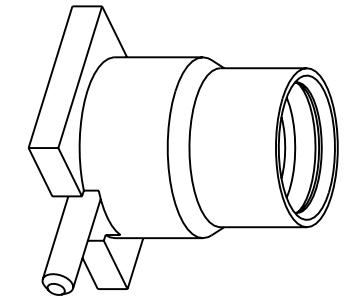


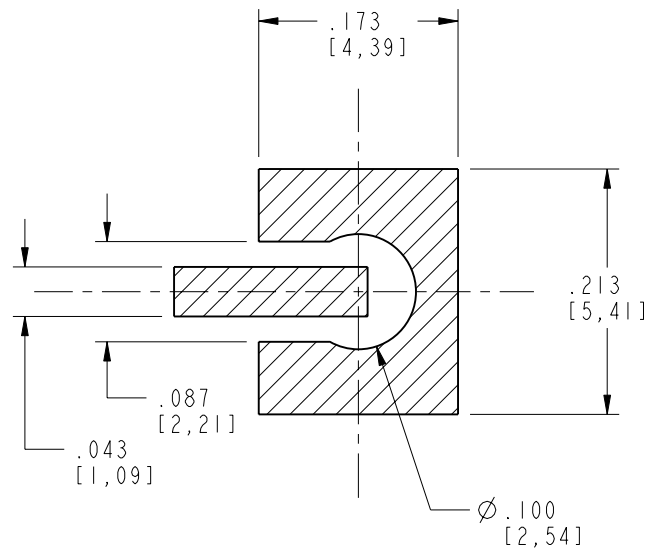
NOTES:

1. MATERIALS AND FINISHES:
  - BODY - BRASS, GOLD PLATING, .000030 [0.8] THICK
  - CONTACT - SPRING ALLOY, GOLD PLATING, .000030 [0.8] THICK
  - INSULATOR - PTFE
2. ELECTRICAL:
  - A. IMPEDANCE: 50 OHM
  - B. FREQUENCY RANGE: DC - 6 GHz
3. PHYSICAL:
  - A. DURABILITY: 500 CYCLES MIN.
  - B. TEMPERATURE RANGE: -65° C TO 165° C
4. PACKAGING:
  - A. QUANTITY: SINGLE PACK
  - B. MARKING:
    - AMPHENOL
    - 908-22109
    - DATE CODE

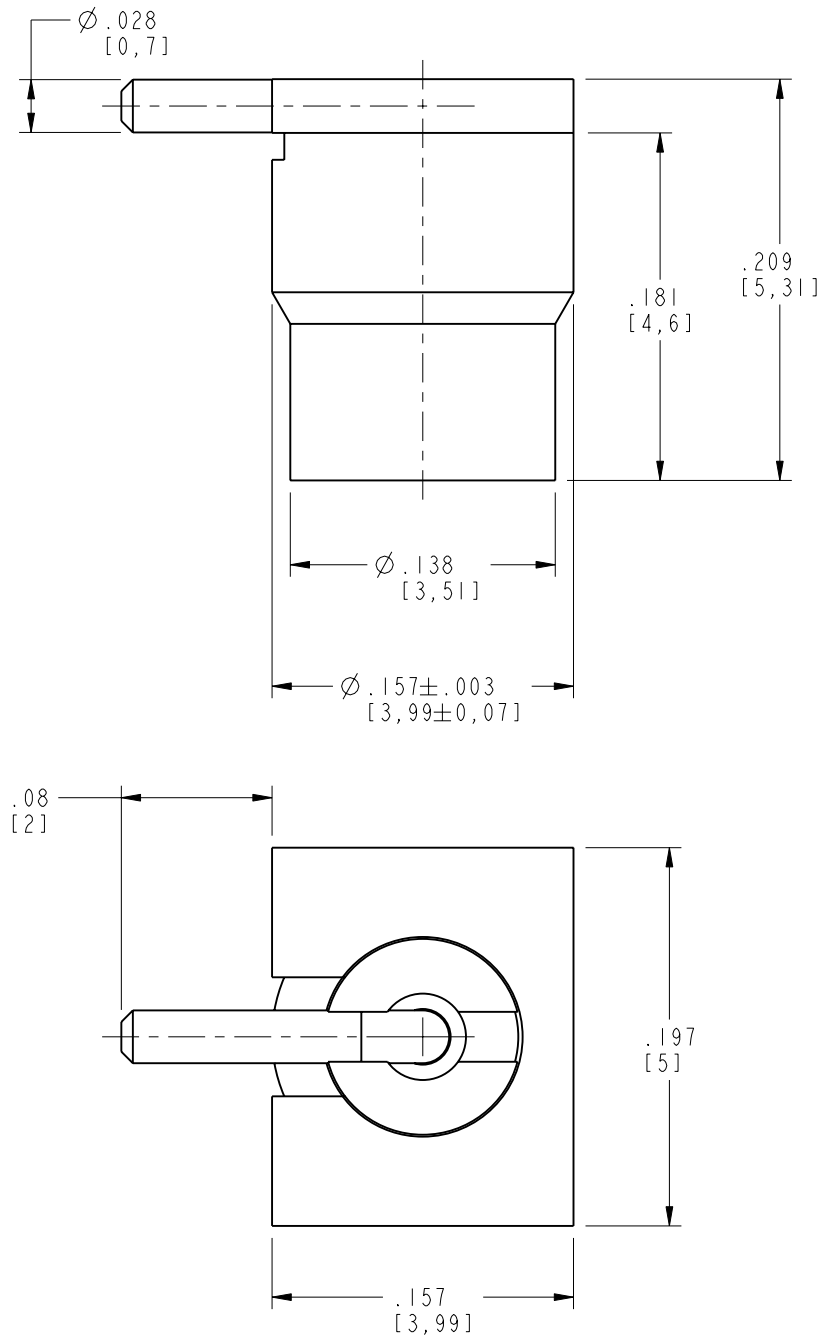
908-22109		REVISIONS			
DRAWING NO.	REV	DESCRIPTION	DATE	ECO	APPR
FIRST ANGLE PROJ.	A	RELEASE TO MFG	3/1/04	44830	CPM



SCALE 6.000



RECOMMENDED PCB LAYOUT  
(TOP MOUNT)  
SCALE 6.000



**CUSTOMER OUTLINE DRAWING**  
**ALL OTHER SHEETS ARE FOR INTERNAL USE ONLY**

UNLESS OTHERWISE SPECIFIED, DIMENSIONS ARE IN INCHES AND TOLERANCES ARE: 2 PLACE DECIMAL ±.015 (0,381 mm) 3 PLACE DECIMAL ±.005 (0,127 mm) ANGLES ± 1°	MATERIAL	DRAWN OWEN BARTHELMES	DATE 24-Sep-01	TITLE <b>MMCX (F) PCB JACK</b> <b>SMT REAR MOUNT</b> <b>OR TOP MOUNT</b>		<b>Amphenol</b> Amphenol Corporation Communication and Network Products Division Danbury, CT U.S.A. 06810	
	REFERENCE GEN# ASSYF11 MMCX EAR# 1293 615X-1740-100	ENGINEER OWEN BARTHELMES	DATE 24-Sep-01				
NOTICE - These drawings, specifications, or other data (1) are, and remain the property of Amphenol Corp. (2) must be returned upon request; and (3) are confidential and not to be disclosed to any person other than those to whom they are given by Amphenol Corp. The furnishing of these drawings, specifications, or other data by Amphenol Corp., or to any other person to anyone for any purpose is not to be regarded by implication or otherwise in any manner licensing, granting rights or permitting such holder or any other person to manufacture, use or sell any product, process or design, patented or otherwise, that may in any way be related to or disclosed by said drawings, specifications, or other data.	CAD FILE I:\MMCX\908-22109	CODE ID 74868	DWG SIZE B	DRAWING NO. 908-22109	REV A	SCALE: 10.0:1	SHEET 2 OF 2