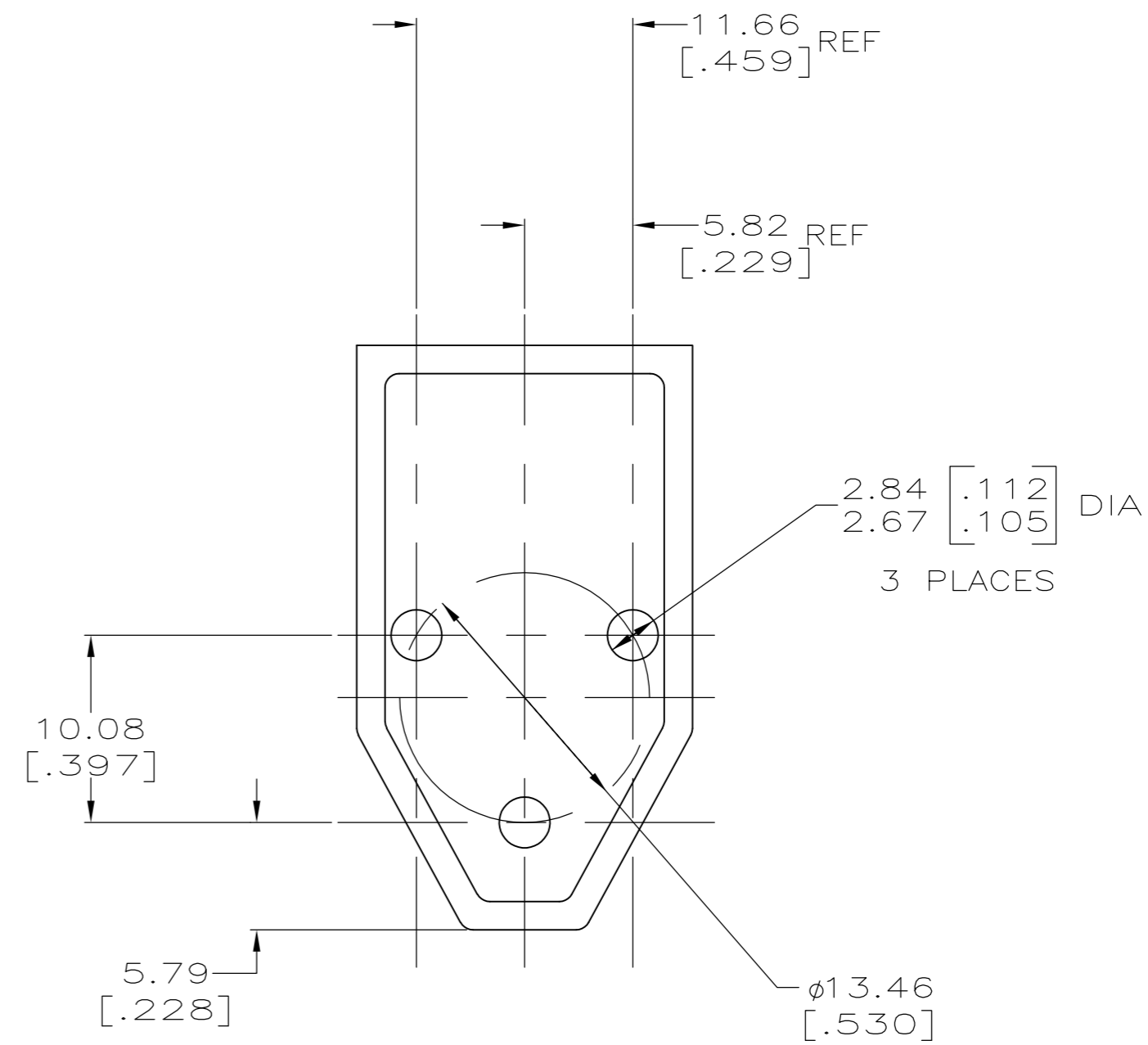
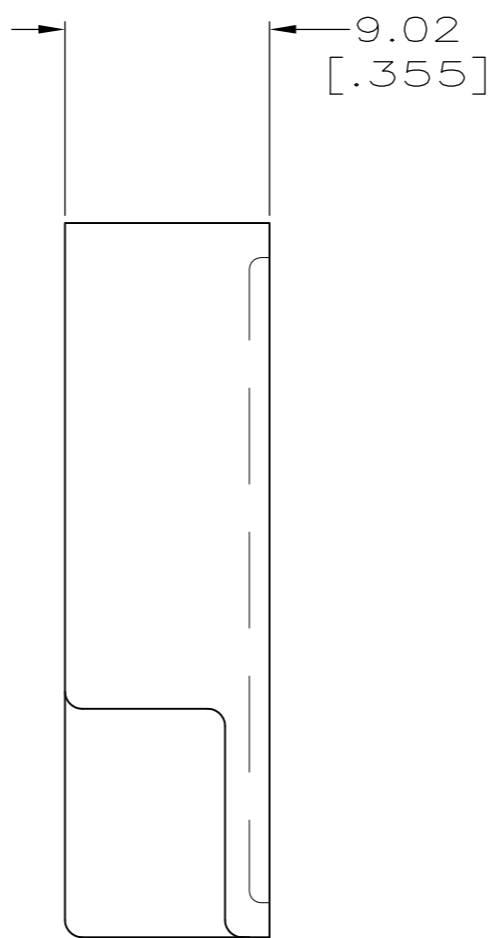
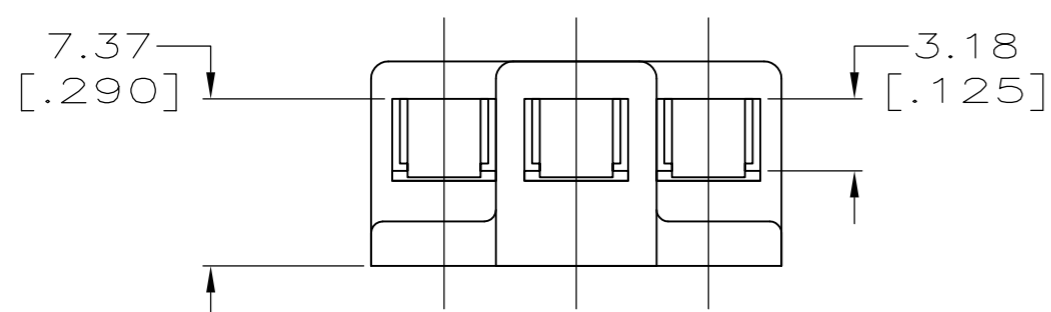
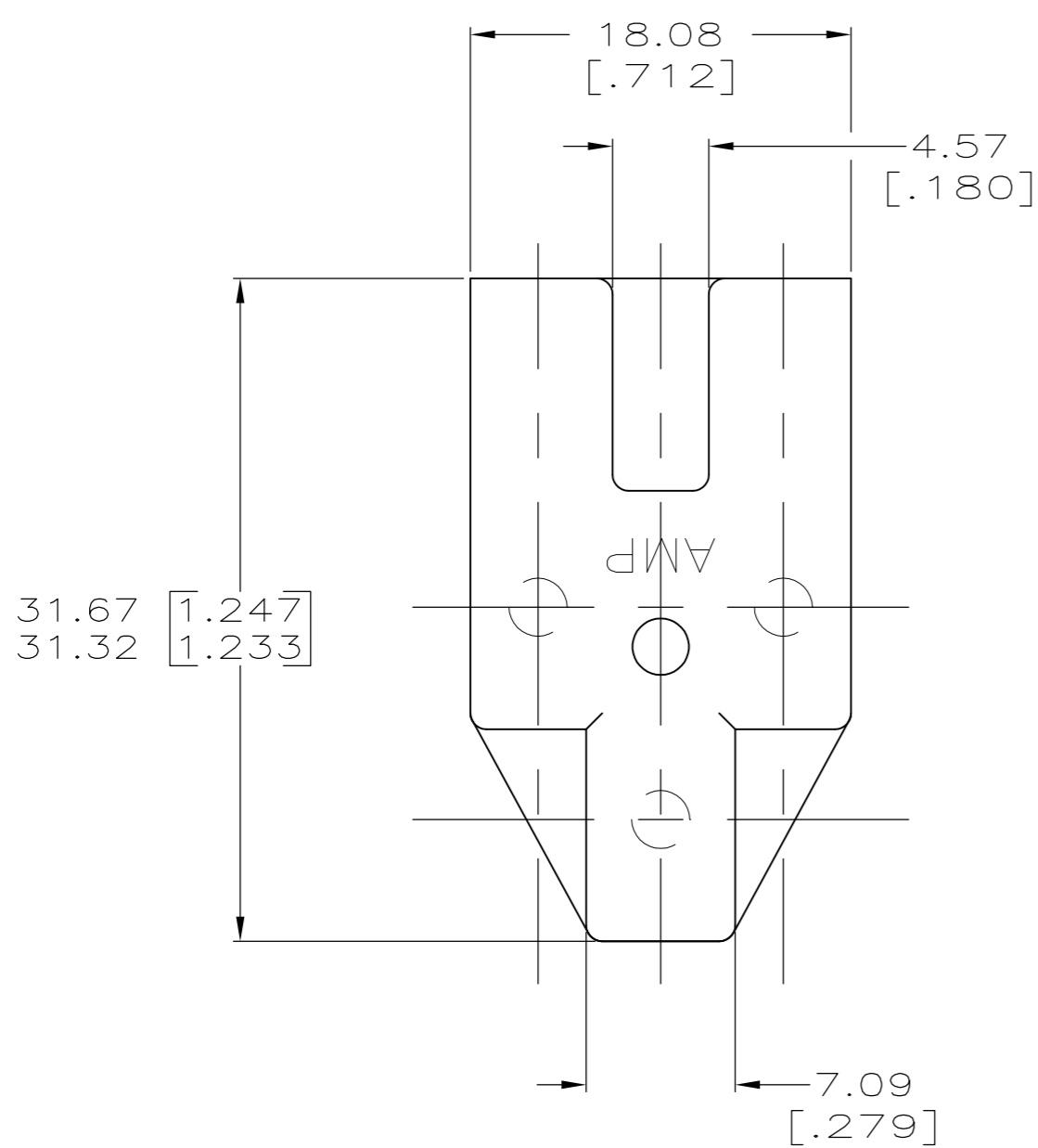
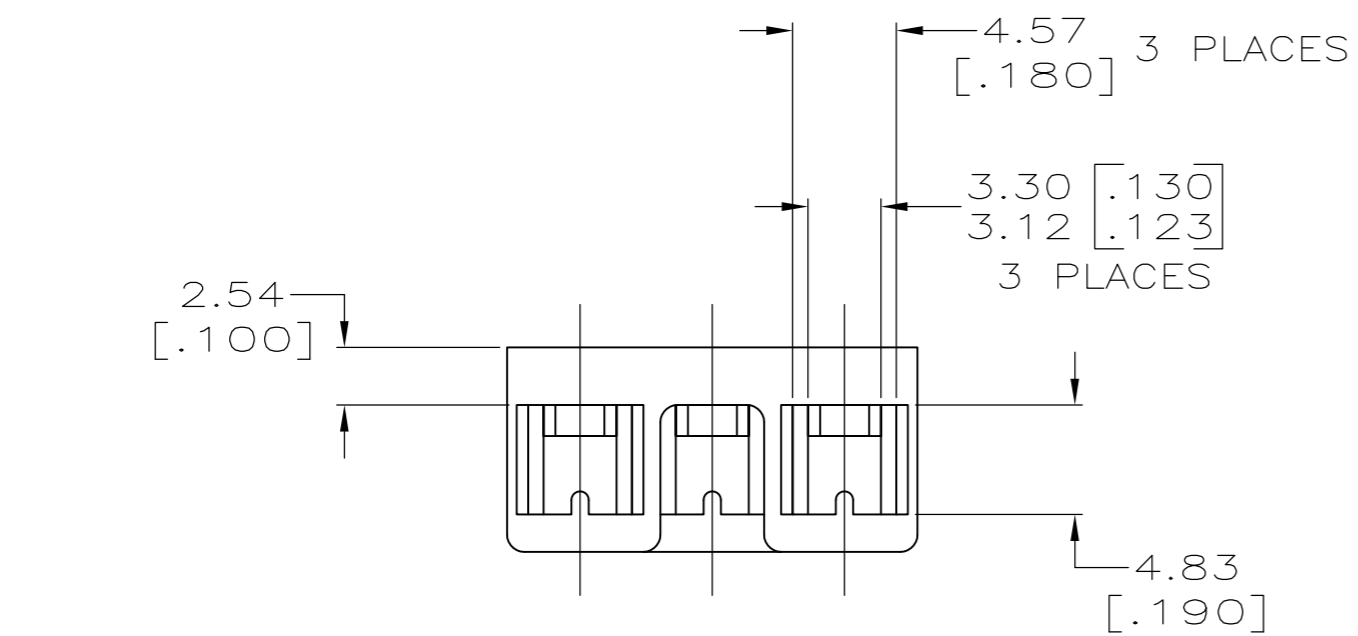


THIS DRAWING IS UNPUBLISHED. RELEASED FOR PUBLICATION  
 © COPYRIGHT BY TYCO ELECTRONICS CORPORATION. ALL INTERNATIONAL RIGHTS RESERVED.

LOC		DIST		REVISIONS			
P	LTR	DESCRIPTION		DATE	DWN	APVD	
AF	50	C		REVISED PER ECR-09-006862	12AUG09	HMR	CJ

1 HOUSING ACCEPTS 2.29 [.090] DIA CLUSTER BLOCK PIN RECEPTACLE.



1217263-1  
PART NUMBER

THIS DRAWING IS A CONTROLLED DOCUMENT.		DWN MICHAEL S. FEHER 08NOV1999	Tyco Electronics Corporation Harrisburg, PA 17105-3608	
DIMENSIONS: mm [INCHES]		CHK PETE DESANTIS 12NOV1999	NAME HOUSING, CLUSTER BLOCK, 2.29 [.090] DIA	
TOLERANCES UNLESS OTHERWISE SPECIFIED:		APVD PETE DESANTIS 12NOV1999	PRODUCT SPEC 108-2008	RESTRICTED TO -
0 PLC ± -		APPLICATION SPEC 114-2019	SIZE A2	CAGE CODE 00779
1 PLC ± -		WEIGHT -	DRAWING NO C=1217263	SHEET 1 OF 1
2 PLC ± 0.25[.010]		FINISH NATURAL	SCALE 3:1	REV C
3 PLC ± -		MATERIAL PBT UNFILLED	RESTRICTED CUSTOMER	
4 PLC ± -				
ANGLES ± 3°				