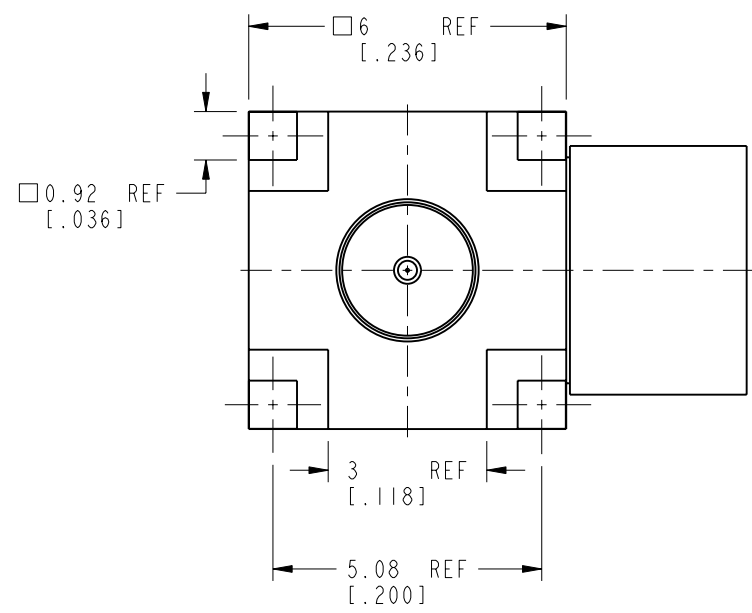
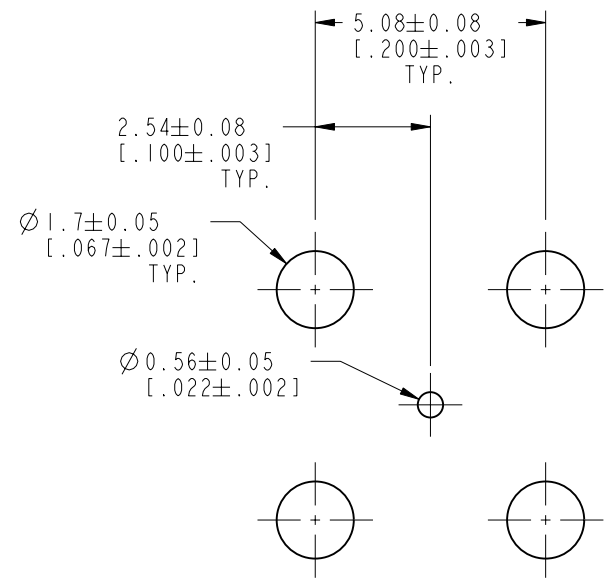
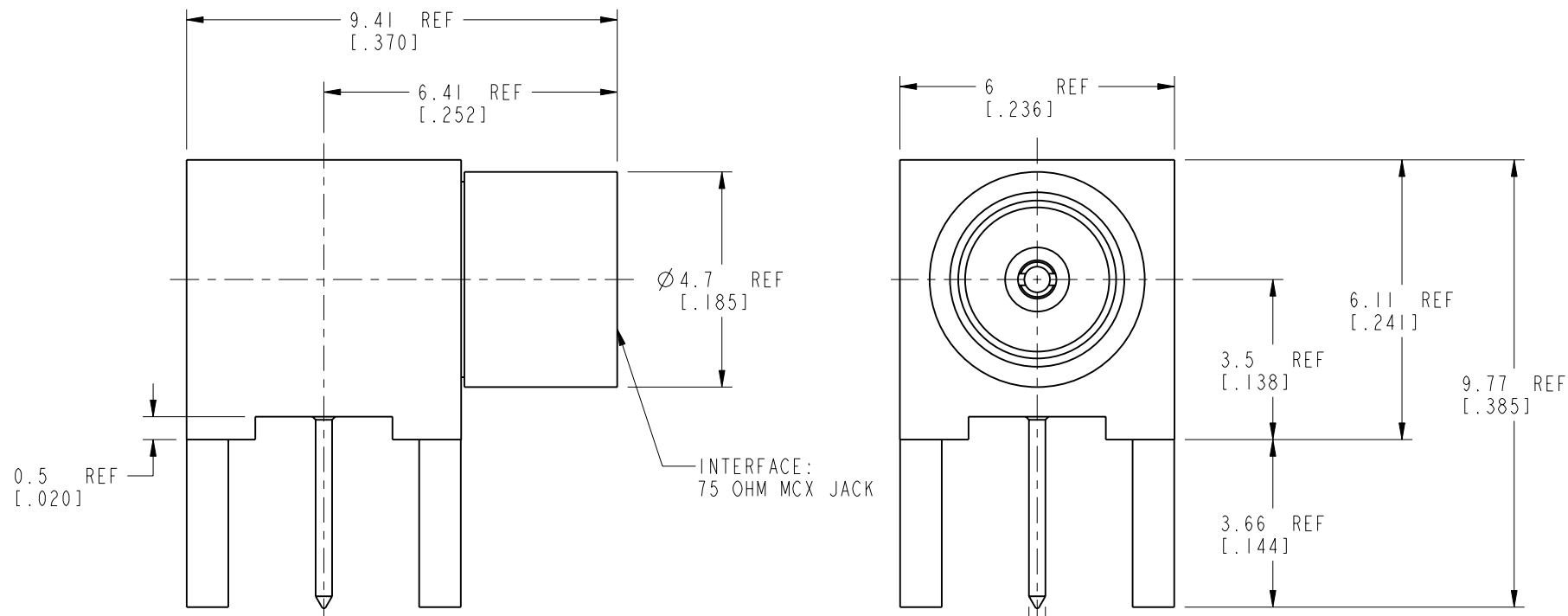
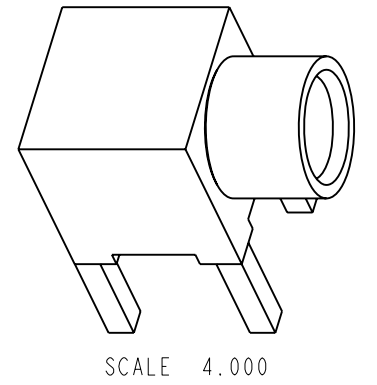


NOTES:

1. MATERIALS AND FINISHES:  
 BODY - BRASS, GOLD PLATING  
 CONTACT - BERYLLIUM COPPER, GOLD PLATING  
 INSULATORS - PTFE
2. ELECTRICAL:  
 A. IMPEDANCE: 75 OHM  
 B. FREQUENCY RANGE: DC-12 GHz  
 C. VSWR(RETURN LOSS): 1.22 (20 dB) MAX. @ DC - 6 GHz  
 1.43 (15 dB) MAX. @ 6 - 12 GHz  
 D. DIELECTRIC WITHSTANDING VOLTAGE: 500 VRMS, MIN.
3. MECHANICAL:  
 A. DURABILITY: 500 CYCLES MIN.  
 B. TEMPERATURE RANGE: -65°C TO +165°C
4. PACKAGING:  
 A. QUANTITY: 50 PCS/TRAY  
 B. MARKING: PACKAGING TO BE MARKED  
 "AMPHENOL RF, 919-417J-71PI2G, DATE CODE"

THIRD ANGLE PROJ.

REV		DESCRIPTION	DATE	ECN	APPR
A		RELEASE TO MFG.	11-MAY-20	15181	EH



RECOMMENDED MOUNTING HOLE DIMENSIONS

**CUSTOMER OUTLINE DRAWING**  
 ALL OTHER SHEETS ARE FOR INTERNAL USE ONLY

UNLESS OTHERWISE SPECIFIED, DIMENSIONS ARE IN METRIC AND TOLERANCES ARE: <0.5mm ±0.05mm    0.5 - 6mm ±0.1mm    6 - 30mm ±0.2mm    30 - 120mm ±0.3mm    ANGLES ±1°	MATERIAL SEE NOTE 1	DRAWN WIKI	DATE 15-May-20	TITLE 75 OHM 12G MCX THROUGH HOLE JACK FOR .125" PCB SCALE: 7.0:1.0 SHEET 2 OF 2	Amphenol RF www.amphenolrf.com
	REFERENCE EAR# 8605 REF: ---	ENGINEER STAR	DATE 3-Jul-20		
NOTICE - These drawings, specifications, or other data (1) are, and remain the property of Amphenol corp. (2) must be returned upon request; and (3) are confidential and not to be disclosed to any person other than those to whom they are given by Amphenol Corp. the furnishing of these drawings, specifications, or other data by Amphenol Corp., or to any other person to anyone for any purpose is not to be regarded by implication or otherwise in any manner licensing, granting rights to permitting such holder or any other person to manufacture, use or sell any product, process or design, patented or otherwise, that may in any way be related to or disclosed by said drawings, specifications, or other data.	CONFIGURATION LEVEL: In Work	APPROVED S.HSIEH	DATE 3-Jul-20	ITEM NO. 919-417J-71PI2G	PART NO. 919-417J-71PI2G
	FINISH	CAD FILE	DWG SIZE B	REV A	