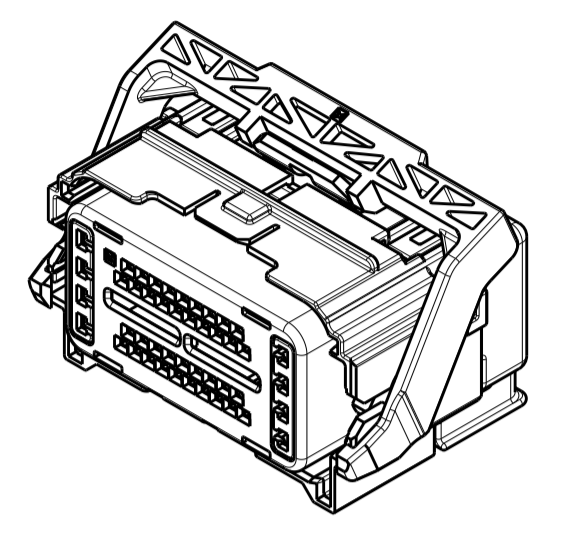
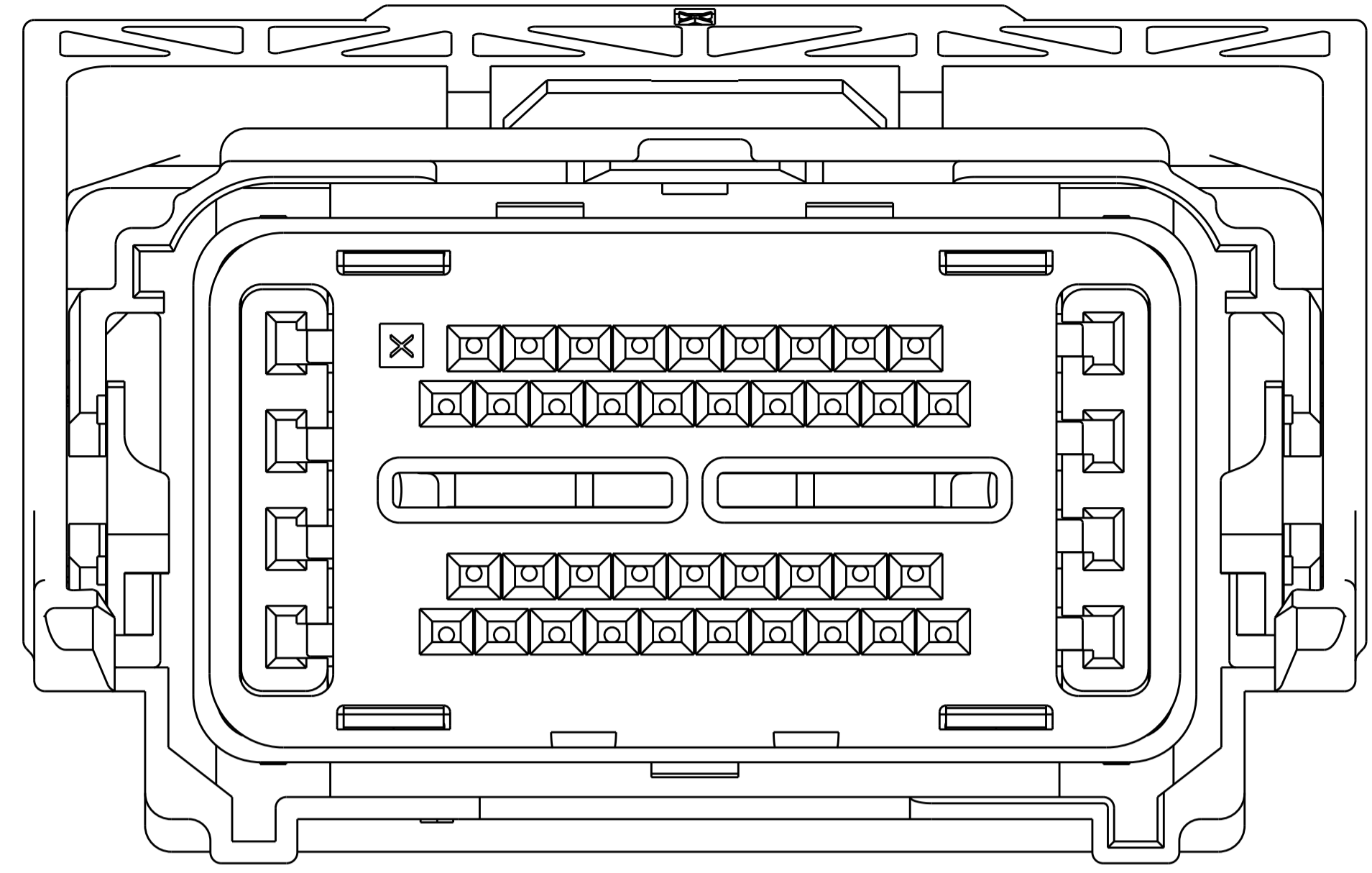
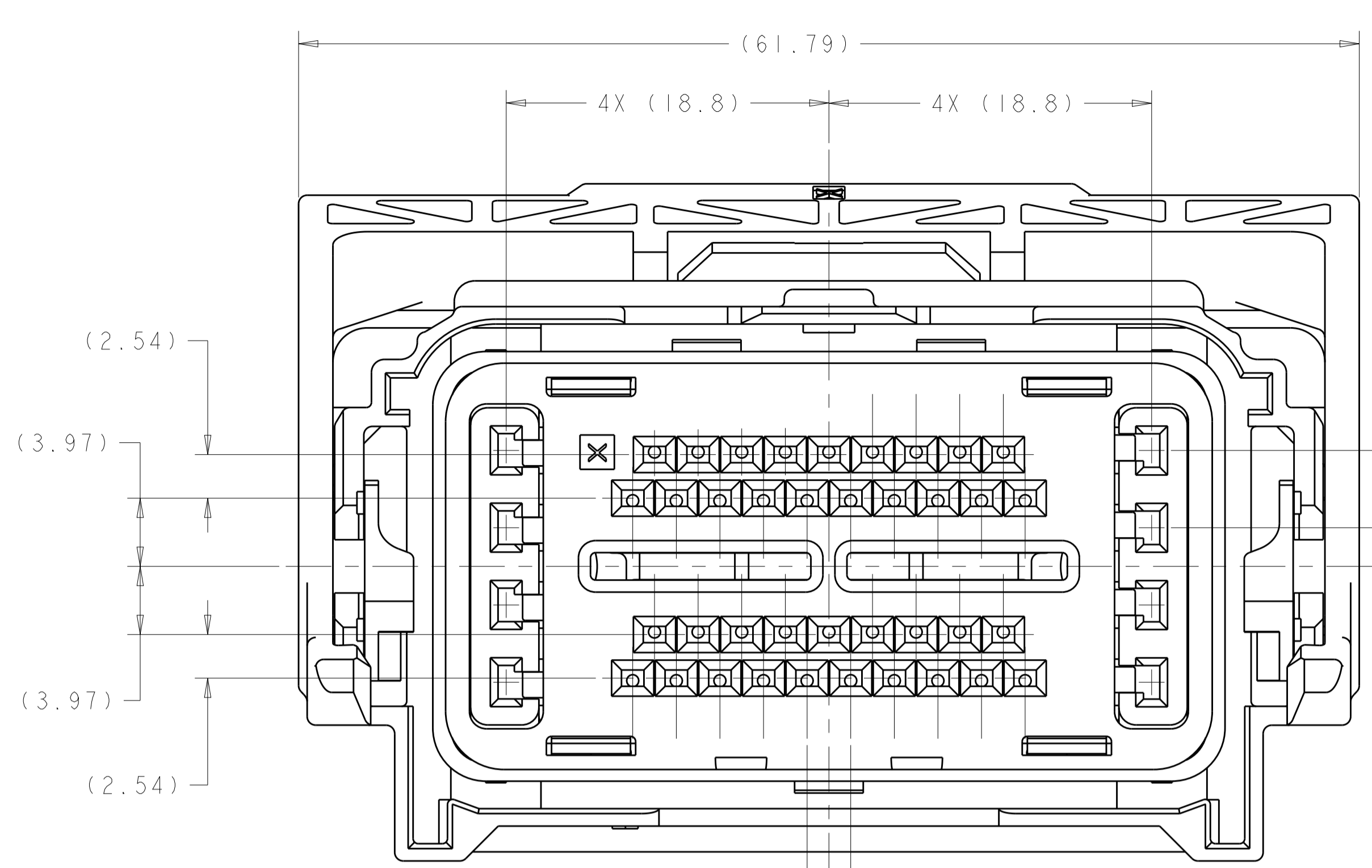
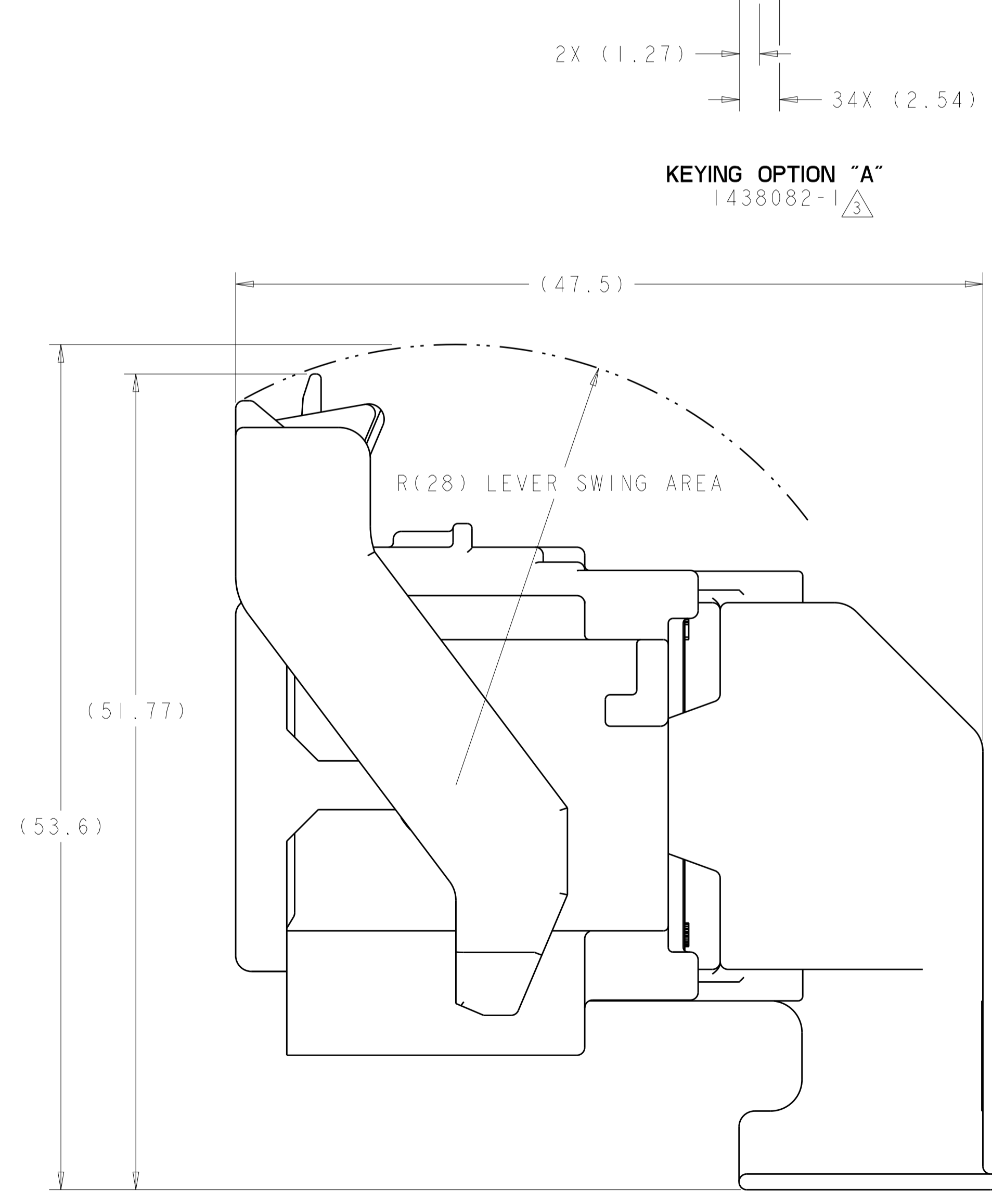


REVISIONS				
P.	LTM	DESCRIPTION	DATE	APVD
S10		REVISED PER ECO-09-009758	23APR2009	DLD DCM
S11		REVISED PER ECO-09-028550	29DEC2009	DLD DCM
S12		REVISED PER ECO-20-012739	18SEP2020	AP CM

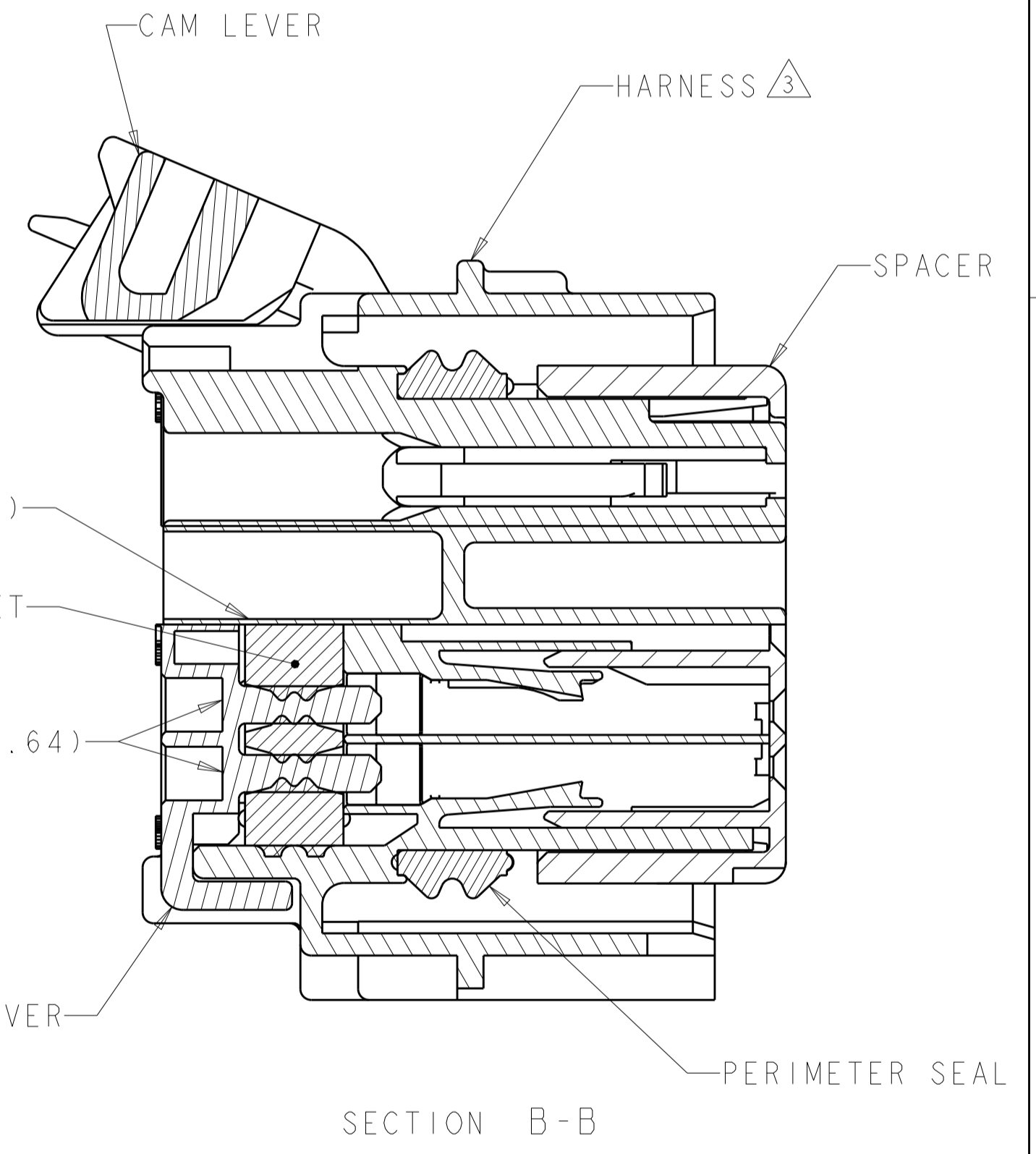
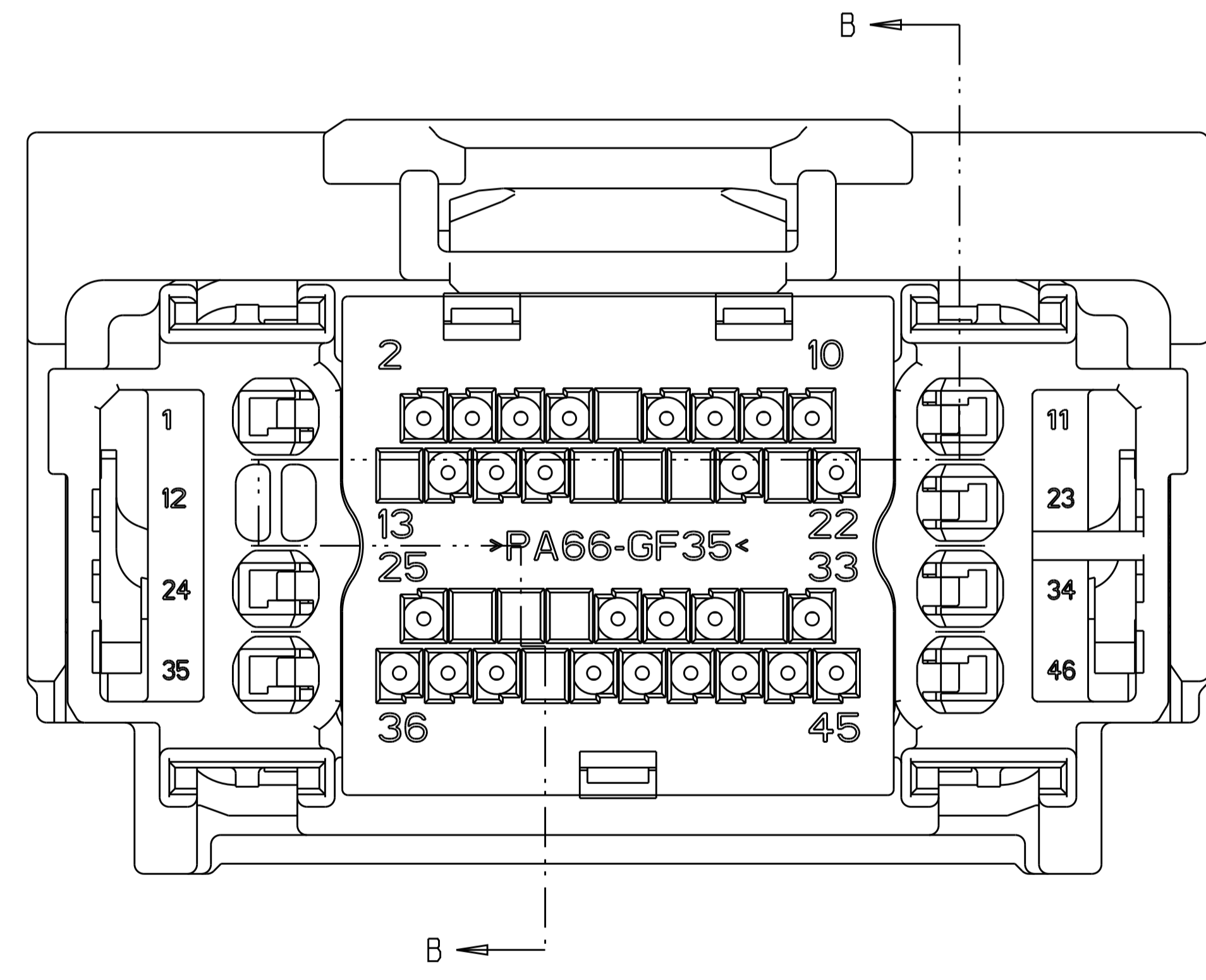


SCALE 1:1

KEYING OPTION "B"
1438082-2



SHOWN WITH CAM LEVER AND SPACER
IN LOADED POSITION WITH
OPTIONAL WIRESHIELD



- △ MATERIAL:
HARNESS - 35% GLASS FILLED PA66, BLACK
ALT MAT'L: HARNESS - 30% GLASS FILLED sPS, BLACK
SPACER - 40% GLASS FILLED PPS+PA66, RED
ALT MAT'L: 30% GLASS FILLED sPS, RED
ALT MAT'L: 35% GLASS FILLED PA66, RED
COVER - 35% GLASS FILLED PA66, BLACK
ALT MAT'L: COVER - 30% GLASS FILLED LCP, BLACK
CAM LEVER - 35% GLASS FILLED NYLON, GRAY
GROMMET - SILICONE, BROWN
PERIMETER SEAL - SILICONE, GREEN

- 2. CAM LEVER AND SPACER ARE SHIPPED IN PRE-LATCH POSITION.
- △ SEE PINOUT CHART ON SHEETS 2, 3 AND 4 FOR CLOSED CIRCUIT CONFIGURATIONS.
- △ CAVITIES WITH A NUMERIC SYMBOL INDICATES CLOSED TERMINAL LOCATIONS. BLANK CAVITIES INDICATE OPEN TERMINAL HOLE LOCATIONS.

△ SEE PINOUT CHARTS
PART NUMBER

THIS DRAWING IS A CONTROLLED DOCUMENT.		OWN: R. VESTAL 01AUG2003	
DIMENSIONS: mm		CHK: D. STRAUSSER 01AUG2003	
TOLERANCES UNLESS OTHERWISE SPECIFIED:		APVD: D. STRAUSSER 01AUG2003	NAME: 46 WAY PCM CONNECTOR HARNESS ASSEMBLY SIZE: CAGE CODE DRAWING NO: A100779 WEIGHT: C=1438082
0 PLC ± 1 PLC ±0.3 2 PLC ±0.10 3 PLC ± 4 PLC ± ANGLES ±*		PRODUCT SPEC	
MATERIAL: SEE TABLE		APPLICATION SPEC	RESTRICTED TO
FINISH: SEE TABLE		CUSTOMER DRAWING	SCALE: 4:1 SHEET 1 OF 5 REV: 12

