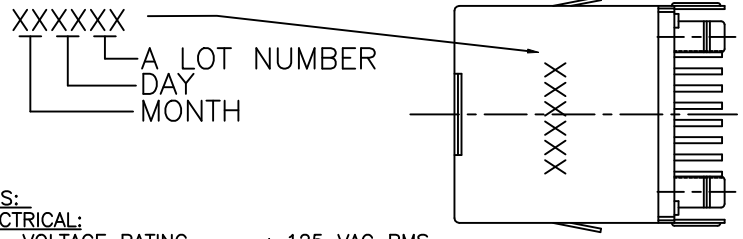
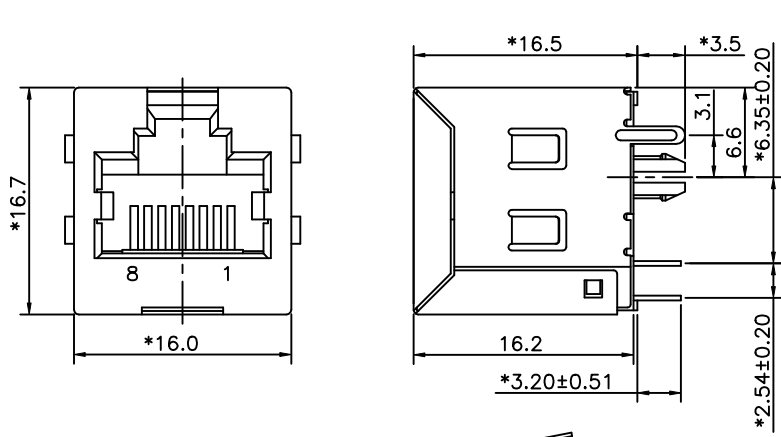


REVISION RECORD				
REV	ECO	DESCRIPTION	DRFT	CHKD
△		Modify Drawing	czh 07/23/03	
△		MODIFY DRAWING	AMONG 10/22/04	
△		ADD PART NO	CHULER 01/03/05	



**NOTES:**

**ELECTRICAL:**

1. VOLTAGE RATING : 125 VAC RMS.
2. CURRENT RATING : 1.5 AMP.
3. CONTACT RESISTANCE : 30 MILLIOHMS MAX.
4. INSULATION RESISTANCE: 1000 MEGOHMS MIN @ 500 VDC.
5. DIELECTRIC STRENGTH : 1000 VAC RMS 60Hz, 1MIN.

**MECHANICAL:**

1. HOUSING MATERIAL : GLASS FILLED POLYESTER UL94V-0.
2. CONTACT MATERIAL : PHOSPHOR BRONZE t=0.35mm.
3. PLATING : GOLD PLATING OVER NICKEL.
4. OPERATING LIFE : 750 CYCLES MIN.
5. PCB RETENTION PRE-SOLDER : 1 LB MIN.
6. PCB RETENTION POST-SOLDER: 10 LBS MIN.

**ENVIRONMENTAL:**

1. STORAGE : -40°C TO +85°C.
2. OPERATION: -40°C TO +85°C.

MATES WITH MODULAR PLUG CONFORMING TO

FCC PART 68, SUBPART F.

CUL FILE NO. E163191

PART NUMBER: E52D8-RX0X4X

- △ SHIELD PLATING: } GOLD PLATING:  
 1- TIN PLATING } 1- 3u" 2- 6u"  
 2- NICKEL PLATING } 3- 15u" 4- 30u"  
 } 5- 50u"  
 } 0-PBT+15%GF(BK)  
 } 1-PBT+30%GF (BK)

△ LEAD-FREE PART NUMBER: E52D8-RX0X4X-L

- △ SHIELD PLATING: } GOLD PLATING:  
 1- TIN PLATING } 1- 3u" 2- 6u"  
 2- NICKEL PLATING } 3- 15u" 4- 30u"  
 } 5- 50u"  
 } 0-PBT+15%GF(BK)  
 } 1-PBT+30%GF (BK)  
 △ B-FR52 BK

← MM (INCH) →		DFTO BASS	DATE 7/8/97
TOLERANCES EXCEPT AS NOTED		CHKD SAMMY	DATE 2005/1/5
		MFO	DATE
		APPVLLUSHENG	DATE 2005/1/5
MM			
.0 ±0.20	±		
.00 ±0.15	±		
.000 ±0.075	±		
ANGLES ±		MATERIAL :	
		QTY :	
THIRD ANGLE PROJECTION		FINISH :	
		SCALE : 3:1	

FULL RISE ELECTRONIC CO., LTD

TITLE  
RJ45 TOP ENTRY PCB MODULAR JACK(DIP TYPE)

DRAWING NO. GE523070  
/PART NO. SEE NOTE

DO NOT SCALE DRAWING

SHEET X OF Y