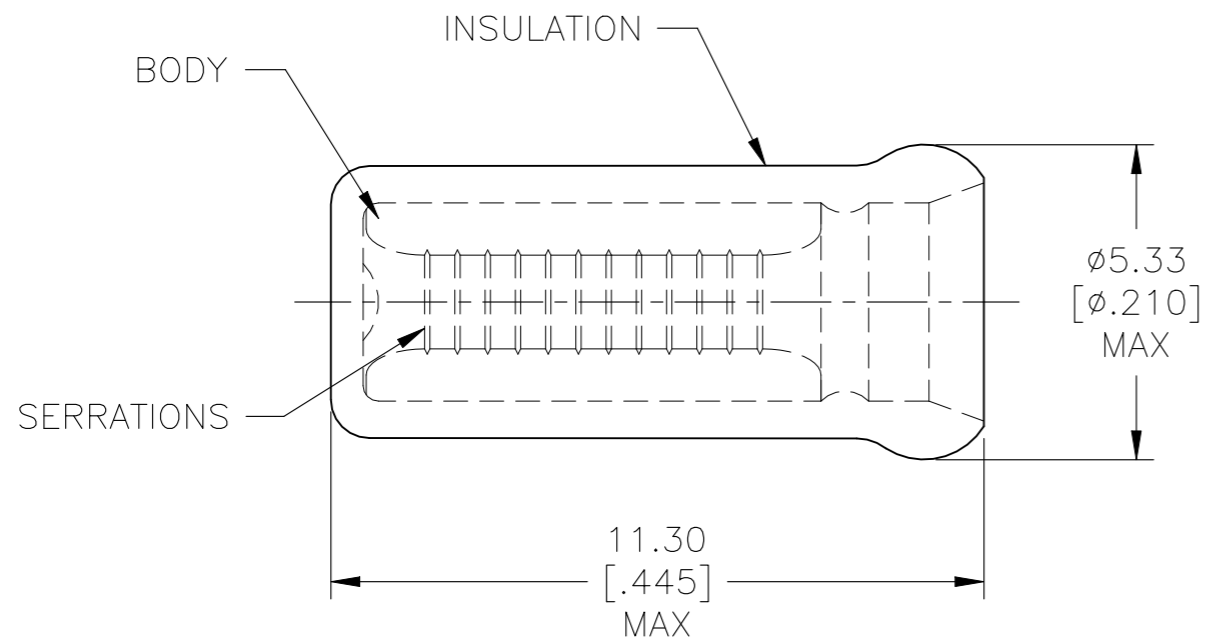


© - TE Connectivity. All Rights Reserved.

REVISIONS				
P	LTR	DESCRIPTION	DATE	APVD
	F3	REVISED PER ECN-22-156403	03JUN2022	RK CSD



- 1 USE FOR STRIPPED (SINGLE) WIRE END ONLY.
- 2 WIRE INSUL, $\phi 3.15[\phi.124]$ MAX.

MS25274/2 CLASS 1	1000	LOOSE PIECE	328307
MILITARY P/N & CLASS	QTY	PACKAGE TYPE	PART NO

AMP INCORPORATED CUSTOMER SERVICE SYSTEM		MAX RECOMMENDED OPERATING TEMPERATURE: 105°C[221°F]	THIS DRAWING IS A CONTROLLED DOCUMENT.		DWN L OLMEDA 21MAR96	TE Connectivity SPARE WIRE CAP, WIRE SIZE, 22-18 AWG					
FOR ADDITIONAL PRODUCT INFORMATION OR COPIES OF DRAWINGS AND TECHNICAL DOCUMENTS	PRODUCT INFORMATION CENTER 1-800-522-6752		VOLTAGE RATING: -	DIMENSIONS: mm [INCHES]	TOLERANCES UNLESS OTHERWISE SPECIFIED:					CHK M ELLIS 21MAR96	
FOR APPLICATION TOOLING INFORMATION	TOOLING ASSISTANCE CENTER 1-800-722-1111	CIRCULAR MIL AREA: 0.26mm ² -1.65mm ² [509-3,248]		0 PLC ± - 1 PLC ± - 2 PLC ± 0.20 [.008] 3 PLC ± - 4 PLC ± - ANGLES ± -	APVD K FERREK 21MAR96	NAME	SIZE	CAGE CODE	DRAWING NO	RESTRICTED TO	
FOR ORDER ENTRY	1-800-526-5142	MATERIAL BODY, CU PER ASTM B152 INSUL, NYLON, COLOR, RFD		FINISH BODY, TIN PLATE PER ASTM B545	WEIGHT -	PRODUCT SPEC -	APPLICATION SPEC -	A3	00779	C-328307	-
CUSTOMER DRAWING						SCALE	8:1	SHEET	1 OF 1	REV	F3