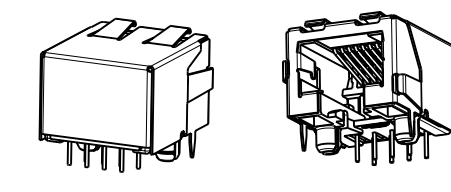
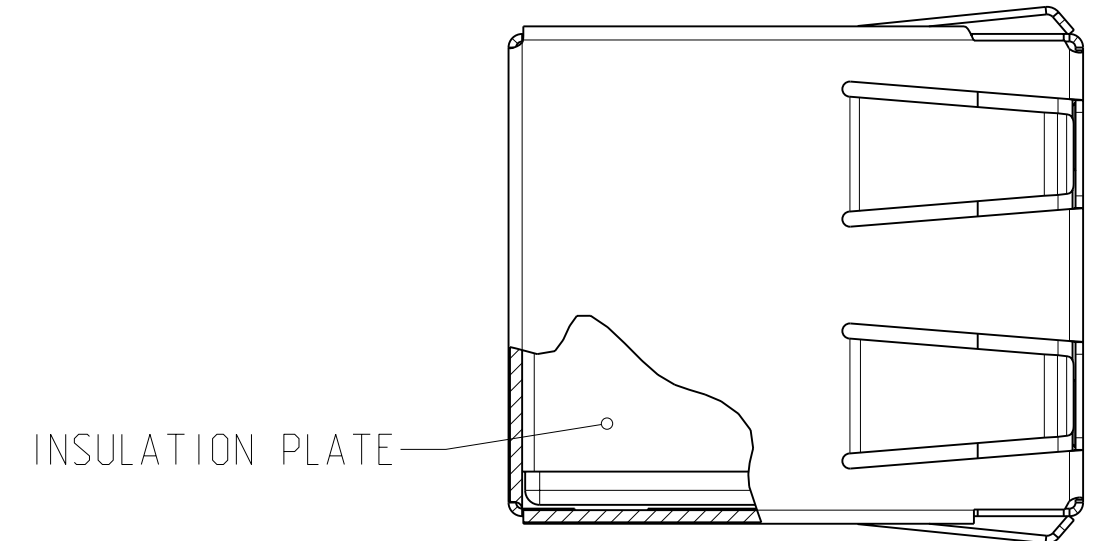
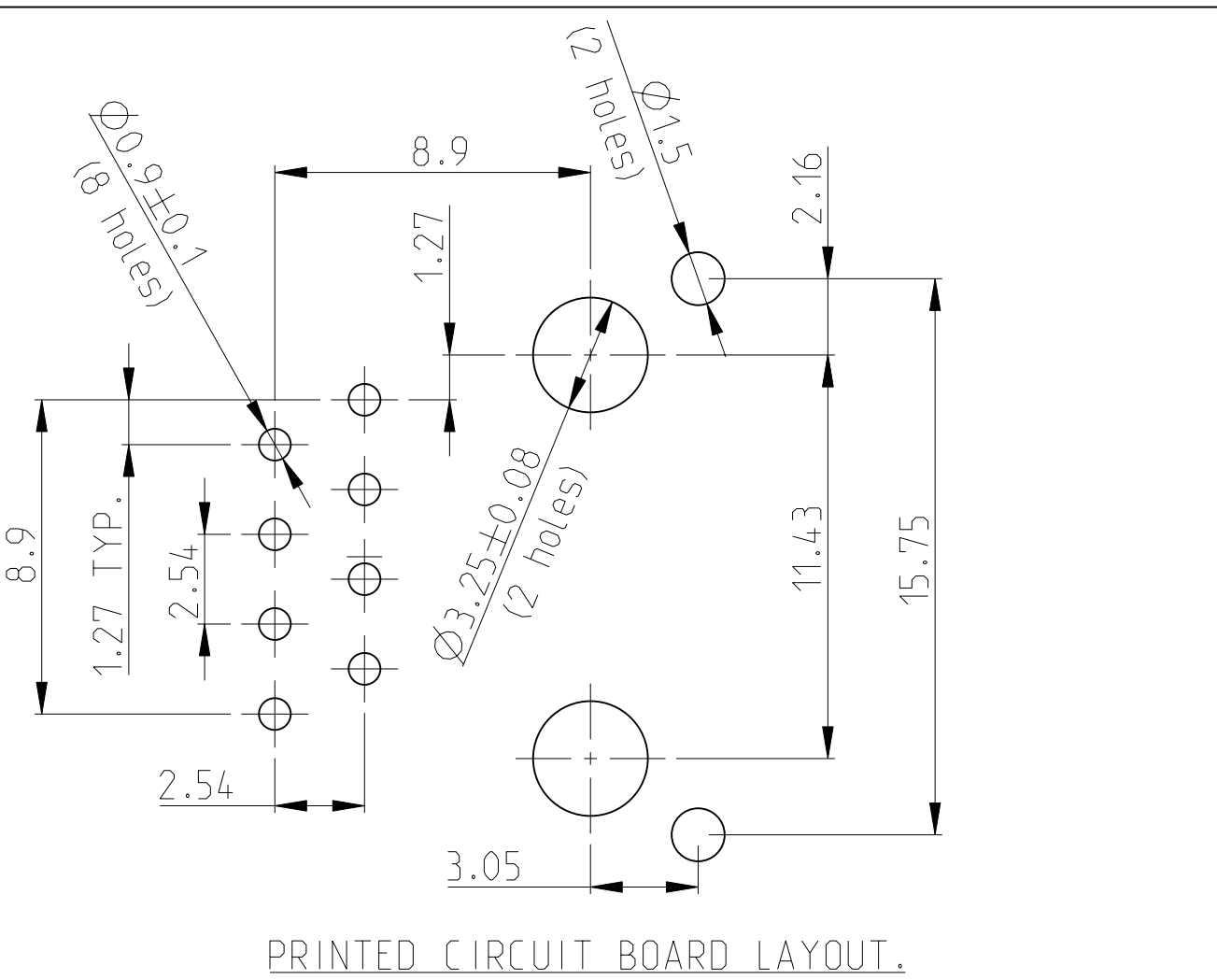
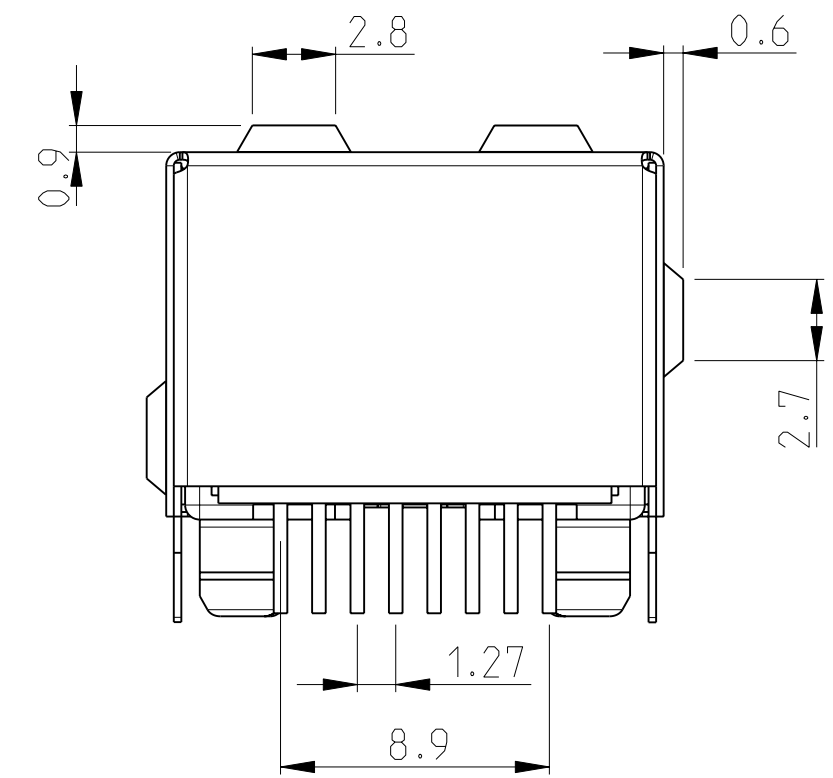
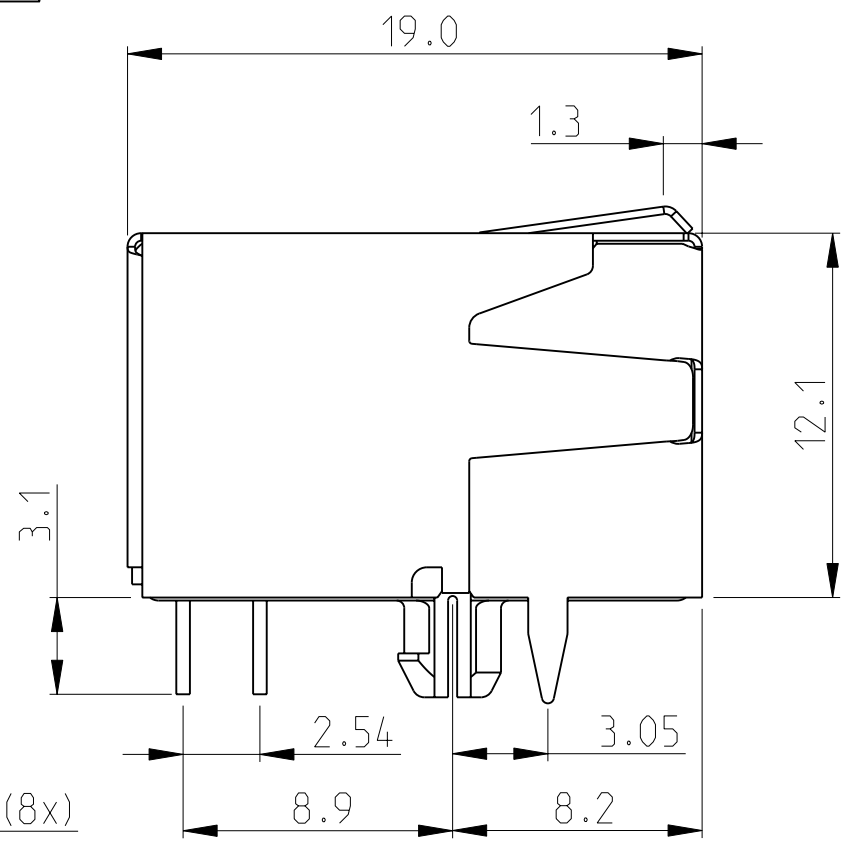
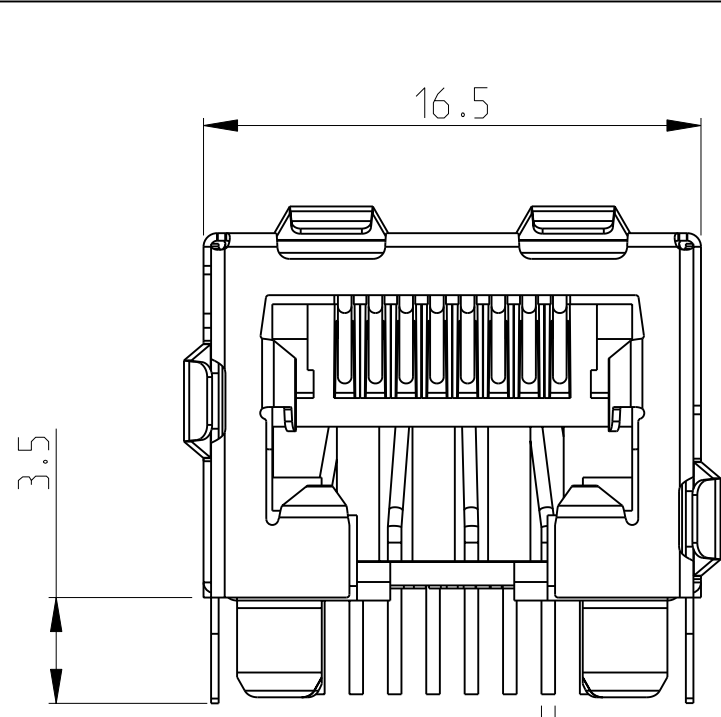
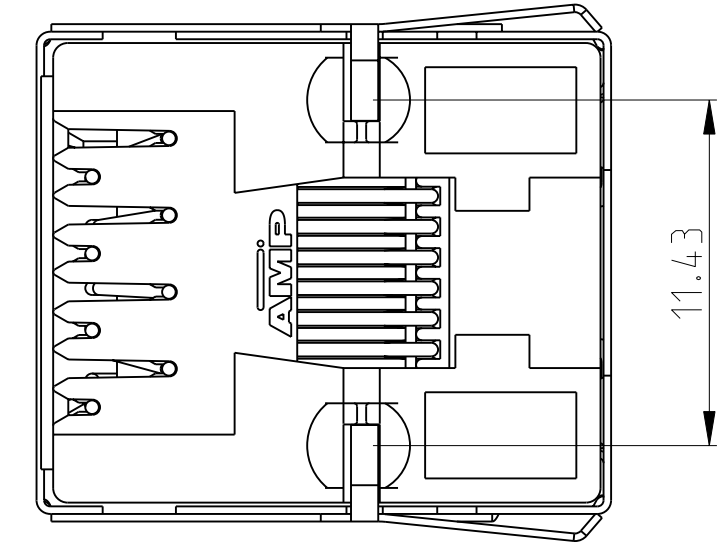
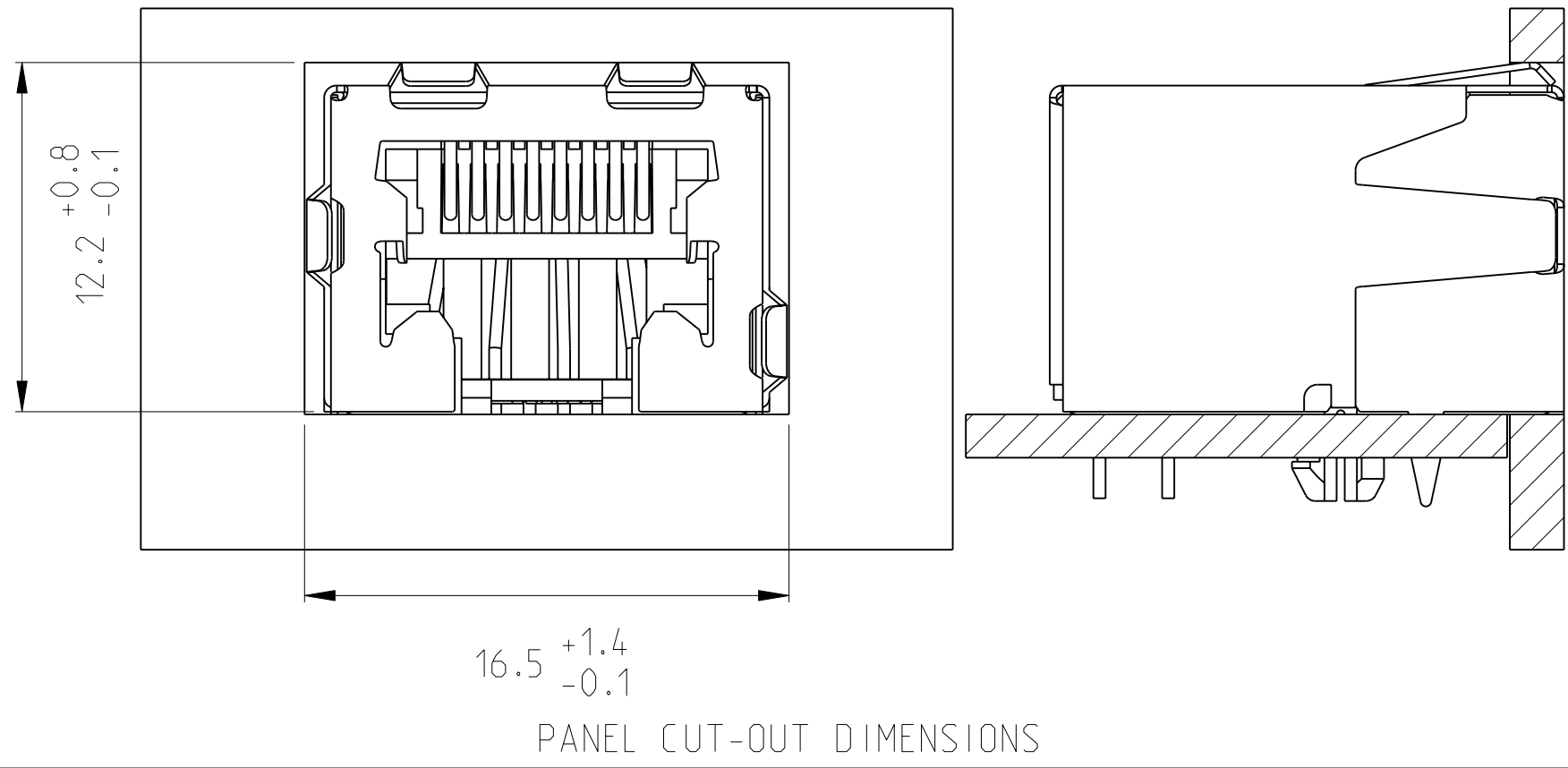


THIS DRAWING IS UNPUBLISHED. RELEASED FOR PUBLICATION 2000
 © COPYRIGHT 2000 ALL RIGHTS RESERVED.

LOC	DIST	REVISIONS					
		P	LTR	DESCRIPTION	DATE	DWN	APVD
IR	-	J		ECR-10-020218	21JUN2011	PS	RRP
		K		SHIELD RAW MATERIAL CHANGE TO BRASS	08MAR2012	PS	RRP



SCALE: 1:1

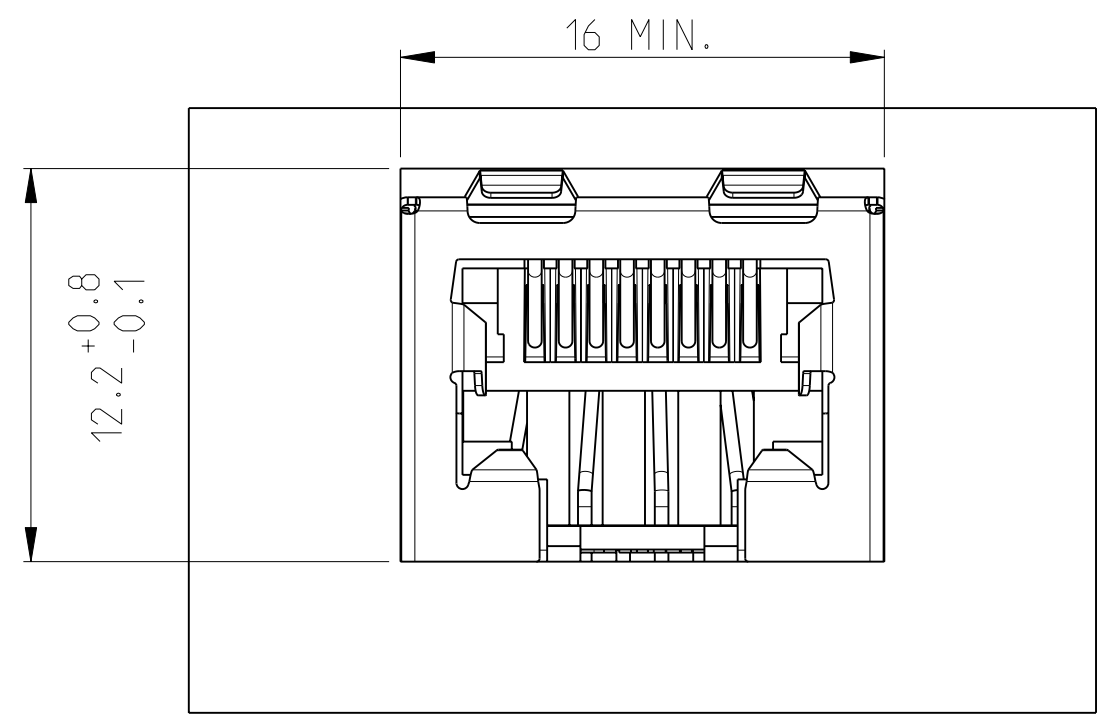
PACKAGED 190 PIECES IN A TRAY	8 POS. 8 CONT.	OVERALL: Ni 1.27 µm MIN. ALL OVER THE CONTACTS SOLDER ZONE: Sn 2.5 µm MIN. ON THE SOLDER ZONE OF THE CONTACT MATING ZONE: PLATING CONFIRMS TO PRODUCT REQUIREMENTS AS PER SPECIFICATION 108-19064	HOUSING: PBT UL 94 V-0 BLACK CONTACTS: PHOSPHOR BRONZE SHIELD: BRASS PRE-PLATED (BRIGHT TIN)	2-338556-1
PACKAGING	REMARKS	DESCRIPTION	MATERIAL	P/N

PRINTED CIRCUIT BOARD LAYOUT.
 (VIEW SHOWN IS CIRCUIT (NONCOMPONENT) SIDE OF BOARD)
 PRINTED CIRCUIT BOARD THICKNESS: 1.6 mm NOMINAL.
 TOLERANCE UNLESS OTHERWISE SPECIFIED: ±0.05mm.

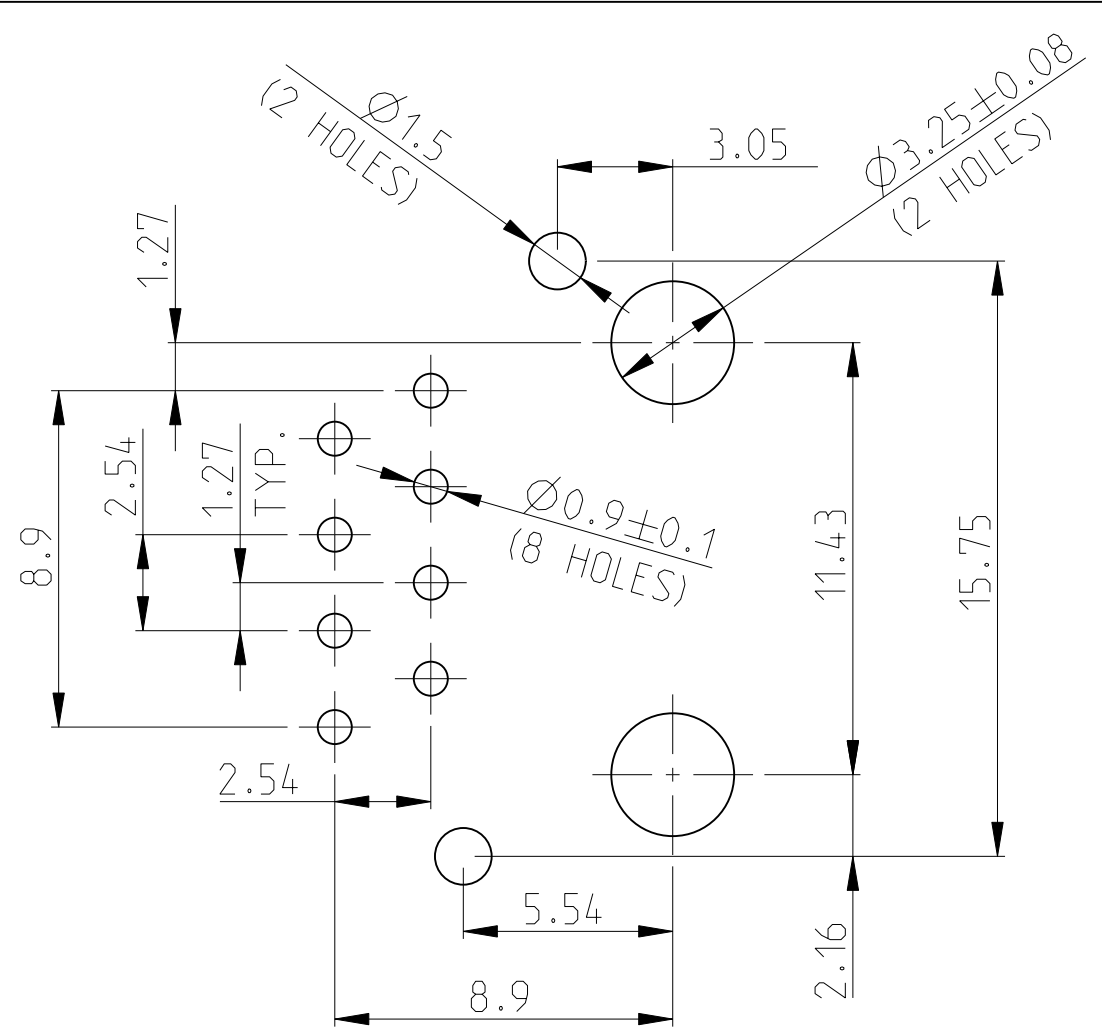
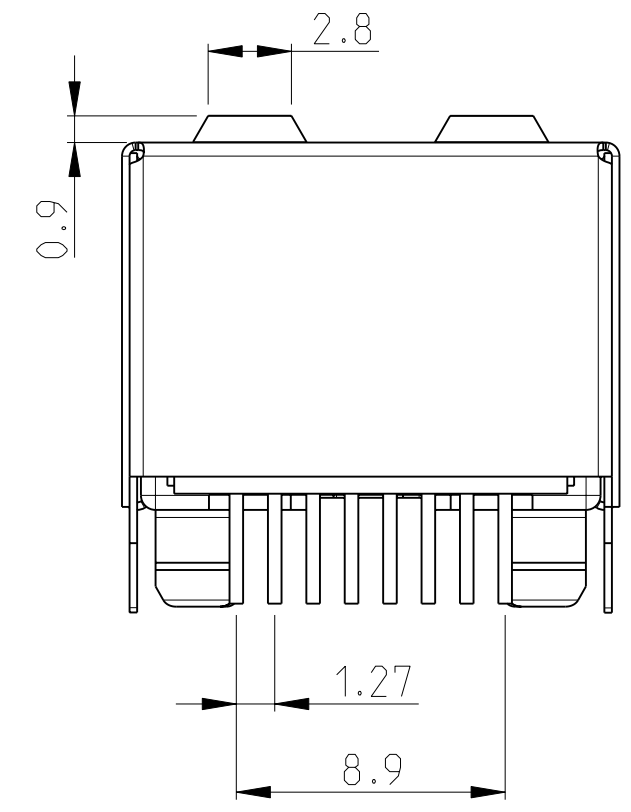
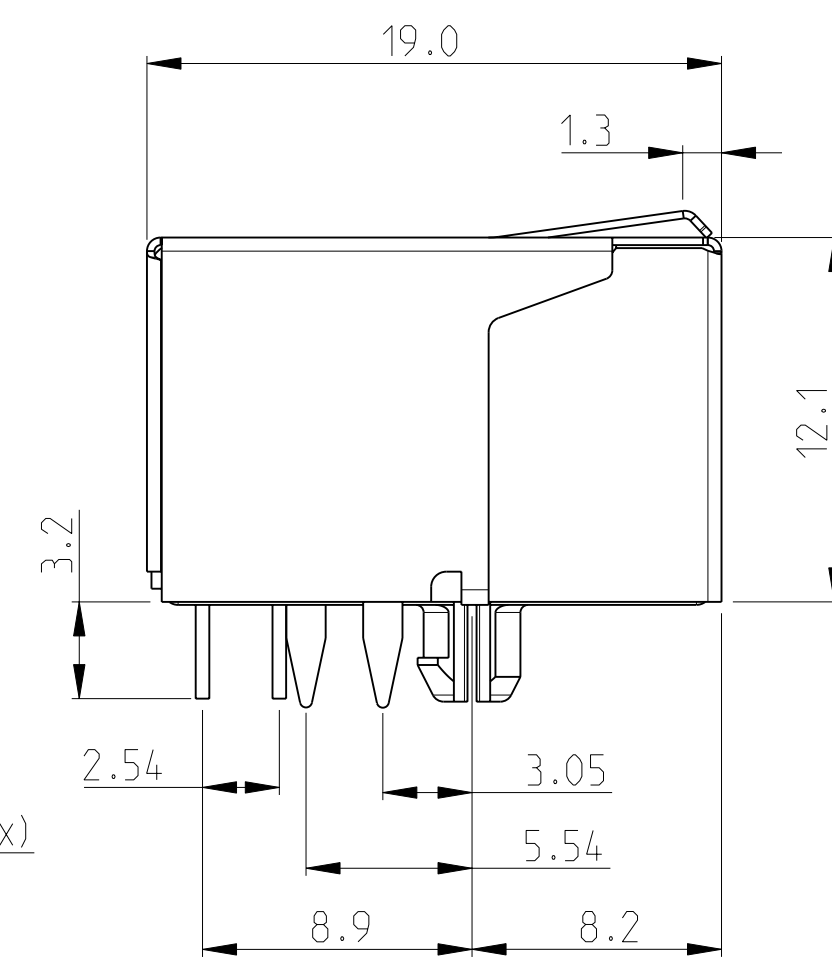
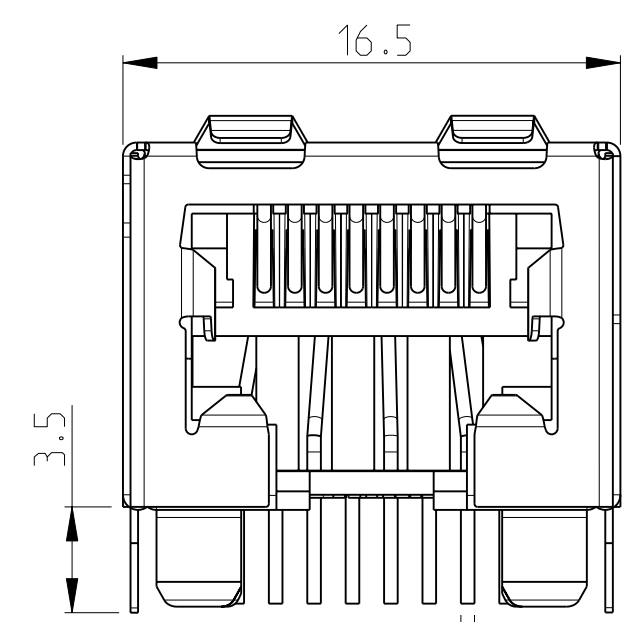
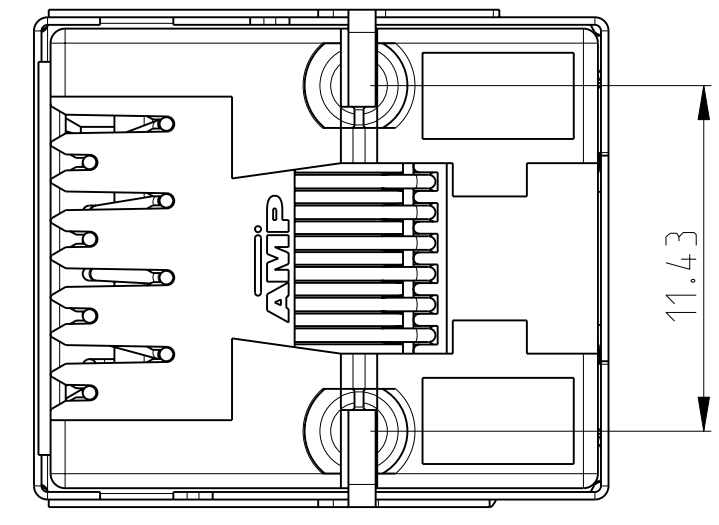
THIS DRAWING IS A CONTROLLED DOCUMENT.		DWN E.v.EIJK	TE Connectivity		
DIMENSIONS: mm		CHK M.v.ESSEN	NAME 8 pos. Modular Jack Side Entry fully shielded with insulation plate		
TOLERANCES UNLESS OTHERWISE SPECIFIED:		APVD R.SMEETS	PRODUCT SPEC 108-19064		
0 PLC ±0.15		APPLICATION SPEC 114-19019		SIZE A2	CAGE CODE 00779
1 PLC ±0.15		WEIGHT		DRAWING NO C-338556	RESTRICTED TO
2 PLC ±0.15		MATERIAL		SCALE 4:1	SHEET 1 OF 2
3 PLC ±0.15		FINISH		REV K	
4 PLC ±0.15		CUSTOMER DRAWING			
ANGLES #0°30'					

THIS DRAWING IS UNPUBLISHED. RELEASED FOR PUBLICATION 2000
 © COPYRIGHT 2000 ALL RIGHTS RESERVED.

LOC	DIST	REVISIONS				
P	LTR	DESCRIPTION	DATE	DWN	APVD	
IR	-	SEE SHEET 1	-	-	-	

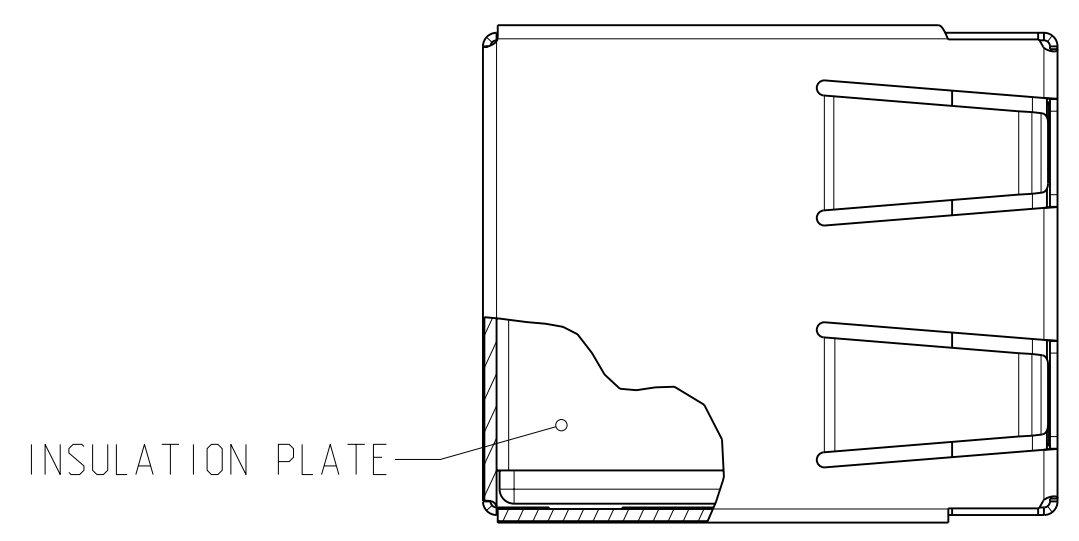


PANEL CUT-OUT DIMENSIONS



PRINTED CIRCUIT BOARD LAYOUT.

(VIEW SHOWN IS CIRCUIT (NONCOMPONENT) SIDE OF BOARD.)
 PRINTED CIRCUIT BOARD THICKNESS: 1.6 mm NOMINAL.
 TOLERANCE UNLESS OTHERWISE SPECIFIED: ± 0.15 mm.



INSULATION PLATE

PACKAGING	REMARKS	DESCRIPTION	MATERIAL	P/N																												
PACKAGED 190 PIECES IN A TRAY	8 POS. 8 CONT.	OVERALL: Ni 1.27 µm MIN. ALL OVER THE CONTACTS SOLDER ZONE: Sn 2.5 µm MIN. ON THE SOLDER ZONE OF THE CONTACT MATING ZONE: PLATING CONFIRMS TO PRODUCT REQUIREMENTS AS PER SPECIFICATION 108-19064	HOUSING: PBT UL 94V-0 BLACK CONTACTS: PHOSPHOR BRONZE SHIELD: BRASS PRE-PLATED BRIGHT TIN	3-338556-1																												
THIS DRAWING IS A CONTROLLED DOCUMENT.		<table border="1"> <tr> <td>DWN</td> <td>E.v.EIJK</td> <td colspan="2">-</td> </tr> <tr> <td>CHK</td> <td>M.v.ESSSEN</td> <td colspan="2">-</td> </tr> <tr> <td>APVD</td> <td>R.SMEETS</td> <td colspan="2">-</td> </tr> <tr> <td colspan="2">PRODUCT SPEC</td> <td colspan="2">108-19064</td> </tr> <tr> <td colspan="2">APPLICATION SPEC</td> <td colspan="2">114-19019</td> </tr> <tr> <td colspan="2">MATERIAL FINISH</td> <td colspan="2">WEIGHT -</td> </tr> </table>			DWN	E.v.EIJK	-		CHK	M.v.ESSSEN	-		APVD	R.SMEETS	-		PRODUCT SPEC		108-19064		APPLICATION SPEC		114-19019		MATERIAL FINISH		WEIGHT -					
DWN	E.v.EIJK	-																														
CHK	M.v.ESSSEN	-																														
APVD	R.SMEETS	-																														
PRODUCT SPEC		108-19064																														
APPLICATION SPEC		114-19019																														
MATERIAL FINISH		WEIGHT -																														
<table border="1"> <tr> <td>DIMENSIONS:</td> <td>TOLERANCES UNLESS OTHERWISE SPECIFIED:</td> </tr> <tr> <td>mm</td> <td></td> </tr> <tr> <td>0 PLC</td> <td>±0.15</td> </tr> <tr> <td>1 PLC</td> <td>±0.15</td> </tr> <tr> <td>2 PLC</td> <td>±0.15</td> </tr> <tr> <td>3 PLC</td> <td>±0.15</td> </tr> <tr> <td>4 PLC</td> <td>±0.15</td> </tr> <tr> <td>ANGLES</td> <td>±0.30°</td> </tr> </table>		DIMENSIONS:	TOLERANCES UNLESS OTHERWISE SPECIFIED:	mm		0 PLC	±0.15	1 PLC	±0.15	2 PLC	±0.15	3 PLC	±0.15	4 PLC	±0.15	ANGLES	±0.30°	<table border="1"> <tr> <td>NAME</td> <td colspan="3">8 pos. Modular Jack Side Entry fully shielded with insulation plate</td> </tr> <tr> <td>SIZE</td> <td>CAGE CODE</td> <td>DRAWING NO</td> <td>RESTRICTED TO</td> </tr> <tr> <td>A2</td> <td>00779</td> <td>338556</td> <td>-</td> </tr> </table>			NAME	8 pos. Modular Jack Side Entry fully shielded with insulation plate			SIZE	CAGE CODE	DRAWING NO	RESTRICTED TO	A2	00779	338556	-
DIMENSIONS:	TOLERANCES UNLESS OTHERWISE SPECIFIED:																															
mm																																
0 PLC	±0.15																															
1 PLC	±0.15																															
2 PLC	±0.15																															
3 PLC	±0.15																															
4 PLC	±0.15																															
ANGLES	±0.30°																															
NAME	8 pos. Modular Jack Side Entry fully shielded with insulation plate																															
SIZE	CAGE CODE	DRAWING NO	RESTRICTED TO																													
A2	00779	338556	-																													
CUSTOMER DRAWING		SCALE 4:1	SHEET 2 OF 2	REV K																												