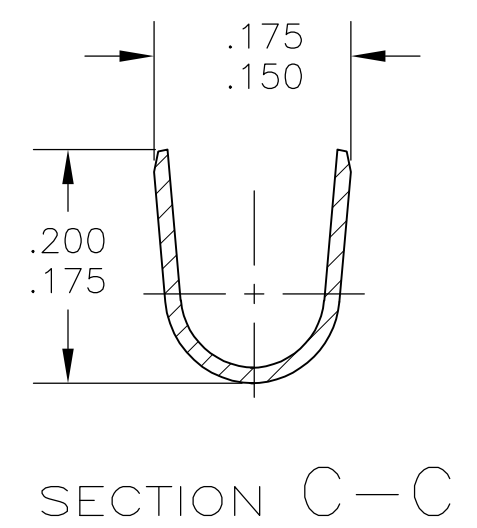
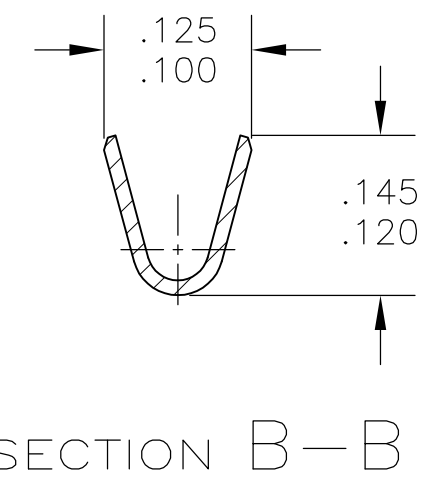
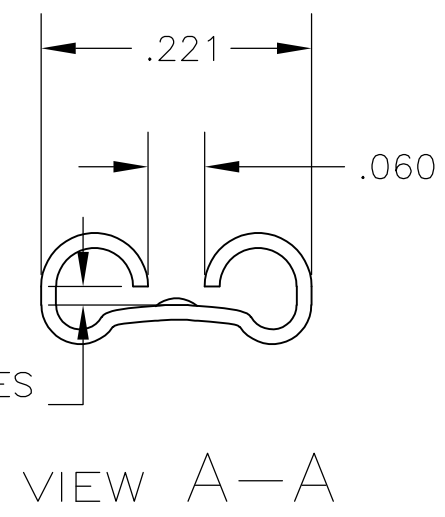
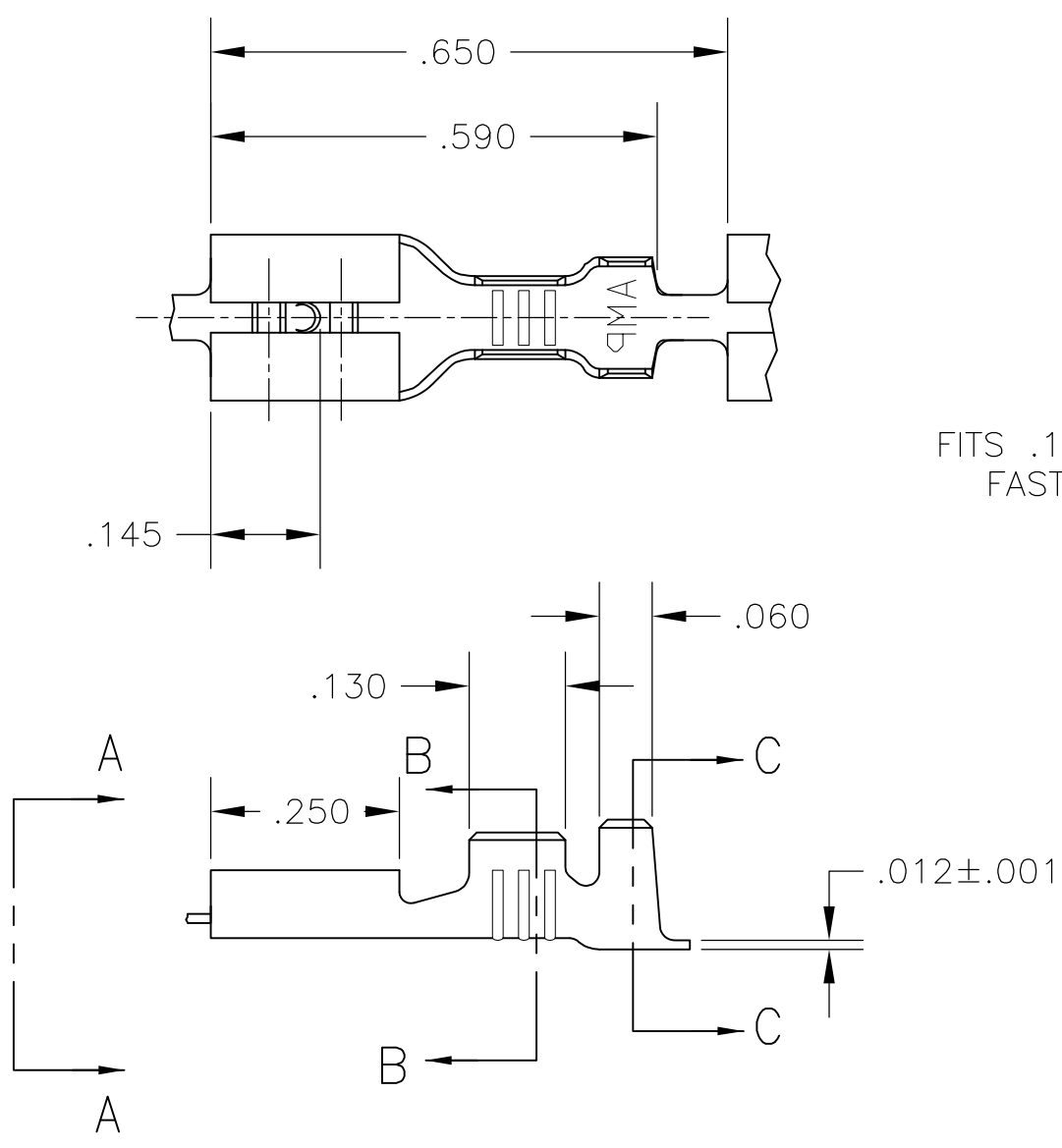


THIS DRAWING IS UNPUBLISHED. RELEASED FOR PUBLICATION
 © COPYRIGHT - By - ALL RIGHTS RESERVED.

LOC	DIST	REVISIONS			
P	LTR	DESCRIPTION	DATE	DWN	APVD
AF	50	B	REVISED PER ECR-12-013518	24NOV12	KH PD

- 1 CONTINUOUS STRIP ON REELS.
- 2 WIRE SIZE #20-#16 AWG
- 3 INSULATION RANGE IS .090-.130 DIA
- 4 MATING TAB THK IS .020±.001



THIS DRAWING IS A CONTROLLED DOCUMENT.		DWN	JR RUTH	21JAN09	STE TE Connectivity											
DIMENSIONS: INCHES		CHK	P DESANTIS	21JAN09												
TOLERANCES UNLESS OTHERWISE SPECIFIED:		APVD	P DESANTIS	21JAN09												
<table border="0"> <tr><td>0 PLC</td><td>± -</td></tr> <tr><td>1 PLC</td><td>± -</td></tr> <tr><td>2 PLC</td><td>± -</td></tr> <tr><td>3 PLC</td><td>± .015</td></tr> <tr><td>4 PLC</td><td>± -</td></tr> <tr><td>ANGLES</td><td>± -</td></tr> </table>		0 PLC	± -	1 PLC		± -	2 PLC	± -	3 PLC	± .015	4 PLC	± -	ANGLES	± -	NAME	
0 PLC	± -															
1 PLC	± -															
2 PLC	± -															
3 PLC	± .015															
4 PLC	± -															
ANGLES	± -															
MATERIAL	SEE ABOVE	FINISH	SEE ABOVE	WEIGHT	-	SIZE	A3	CAGE CODE	00779	DRAWING NO	C-157440	RESTRICTED TO	-			
CUSTOMER DRAWING		SCALE		NTS	SHEET	1 OF 1	REV	B								