

**3 CABLE SPECIFICATION : SPIRAL CABLE**

CABLE TYPE:- FLAT  RIBBON  ROUND  OTHER

SPIRAL CABLE YES  NO

NO. OF CONDUCTORS 2

2. CABLE REQUIREMENTS : N/A

3. CONDUCTOR SPECIFICATIONS :-

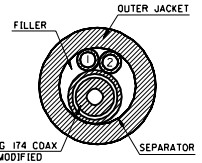
	CONDUCTOR NO.
	1, 2
- MATERIAL	TINNED CU
- A.W.G.	24
- STRANDING DTY/GUAGE	19/36
- DEVELOPED LENGTH	2650
- TENSILE STRENGTH	N/A
INSULATION :-	
- MATERIAL	POLYESTER
- MIN. WALL THICKNESS	0.14
- COLOUR	1 - RED 2 - BLACK
- OUTSIDE DIAMETER	0.89 ± 0.05

4. FILLER: ENOUGH TO MAKE CABLE ROUND

5. SEPARATOR: TYPE TISSUE PAPER

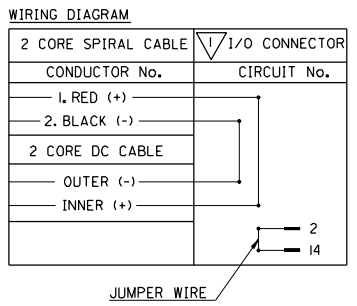
6. OVERALL JACKET: TYPE POLYURETHANE

FINAL DIAMETER	4.50 ± 0.15
MIN. THICKNESS	0.50
COLOUR	BLACK
FINISH	MATT
HARNESS	N/A
STRIPABILITY	TISSUE PAPER AS RELEASE AGENT
MARKINGS	NONE



**BILL OF MATERIALS**

NO.	QUANTITY	SUPPLIER	DESCRIPTION	PART No.	NOTE
1	1	MOLEX	16 CIRCUIT 1/0 MOBILE PHONE PLUG CONNECTOR	90813-0001	1, 2
2	1	BERG	COAXIAL RF CONNECTOR	90853-0001	1, 2, 3
3	1	MOLEX	SPIRAL CABLE SEE CABLE SPECIFICATION		2, 3
4	1	PCSI	DC PLUG ASSEMBLY	LLP0079-1000	3, 4



- NOTES:-**
1. MATES WITH SERIES 90811 HANDSET CONNECTOR.
  2. BOTH CABLE CONDUCTORS AND RF ARE TO BE COVERED WITH HEAT SHRINK INSULATION TUBING.
  3. ONLY AVAILABLE FROM MOLEX AS PART OF A CABLE ASSEMBLY.
  4. SUPPLIER OR CUSTOMER APPROVED EQUIVALENT.

ORIGINAL ISSUE EON E7015 96.09.04 MC	REVISIONS	DIMENSIONS SHOWN (METRIC) INCH UNLESS OTHERWISE SPECIFIED TOLERANCES: ANGULAR ± ° INCH (METRIC) 3 PLACE ± * 2 PLACE ± * 1 PLACE ± # *NOT WHERE APPLICABLE MUST REMAIN WITHIN DIMENSIONS	DRWG BY MC	REVISE ONLY ON CAD SYSTEM		Sh. REV.
				CAD/CAM FILE NAME SPW123		THIS DRAWING CONTAINS INFORMATION THAT IS PROPRIETARY TO MOLEX INC. & SHOULD NOT BE USED WITHOUT WRITTEN PERMISSION
TITLE <b>SYSTEM CONNECTOR PLUG SPIRAL CABLE ASSEMBLY</b>			SCALE 2:1		SHEET NO. DATE 10F1 96/08/29	
DESIGN DIMENSION (PRIMARY) <input type="checkbox"/> IN. (MM)		EQUIVALENT DIMENSION (SECONDARY) <input type="checkbox"/> MM <input type="checkbox"/> IN.		PART NO. 90813-1022 DWG NO. SDA-90813-1022		

PART NO. 90813-1022  
DWG NO. SDA-90813-1022