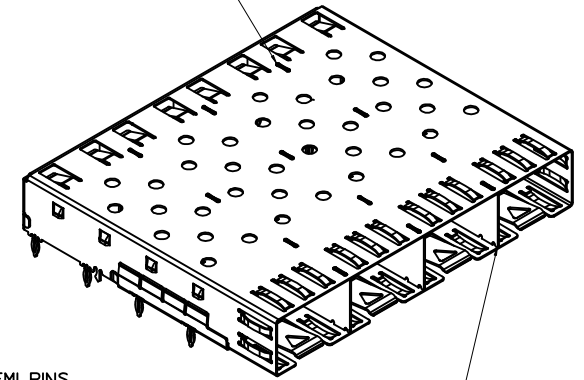
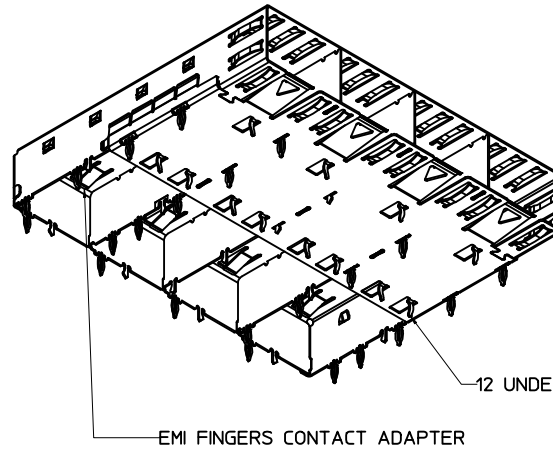
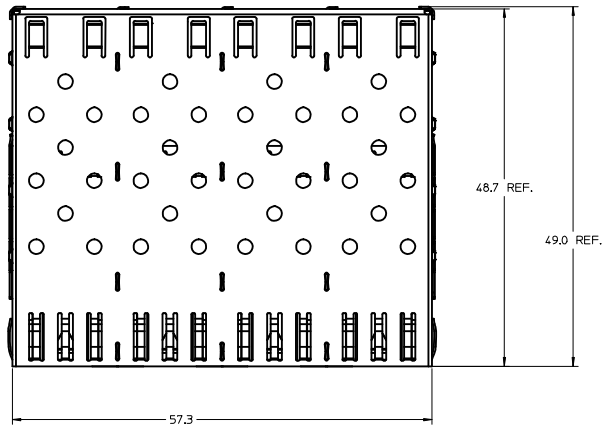
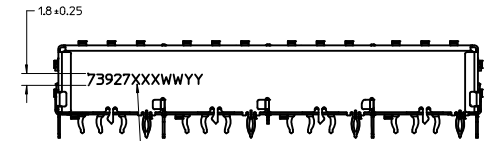
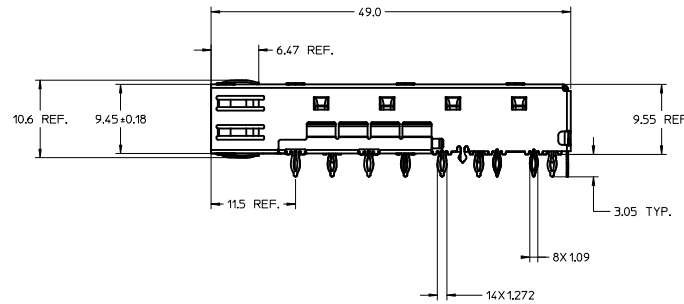
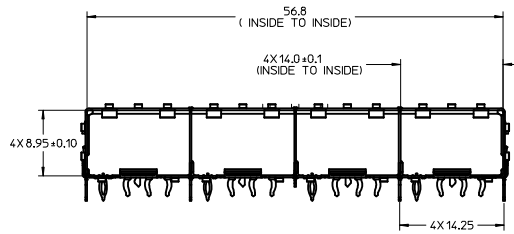


MM 3D MODEL: TM-73927-0470



DIMENSIONS OF EACH INNER CAGE DESIGNED TO FUNCTION WITH SMALL FORM-FACTOR PLUGGABLE (SFP) TRANSCEIVER



PART NO. AND WEEK/YEAR DATE CODE TO BE PRINTED ON BACK OF COMPLETED CAGE ASSEMBLY APPROXIMATELY AS SHOWN. SEE TABLE BELOW FOR DATE CODE INFORMATION.

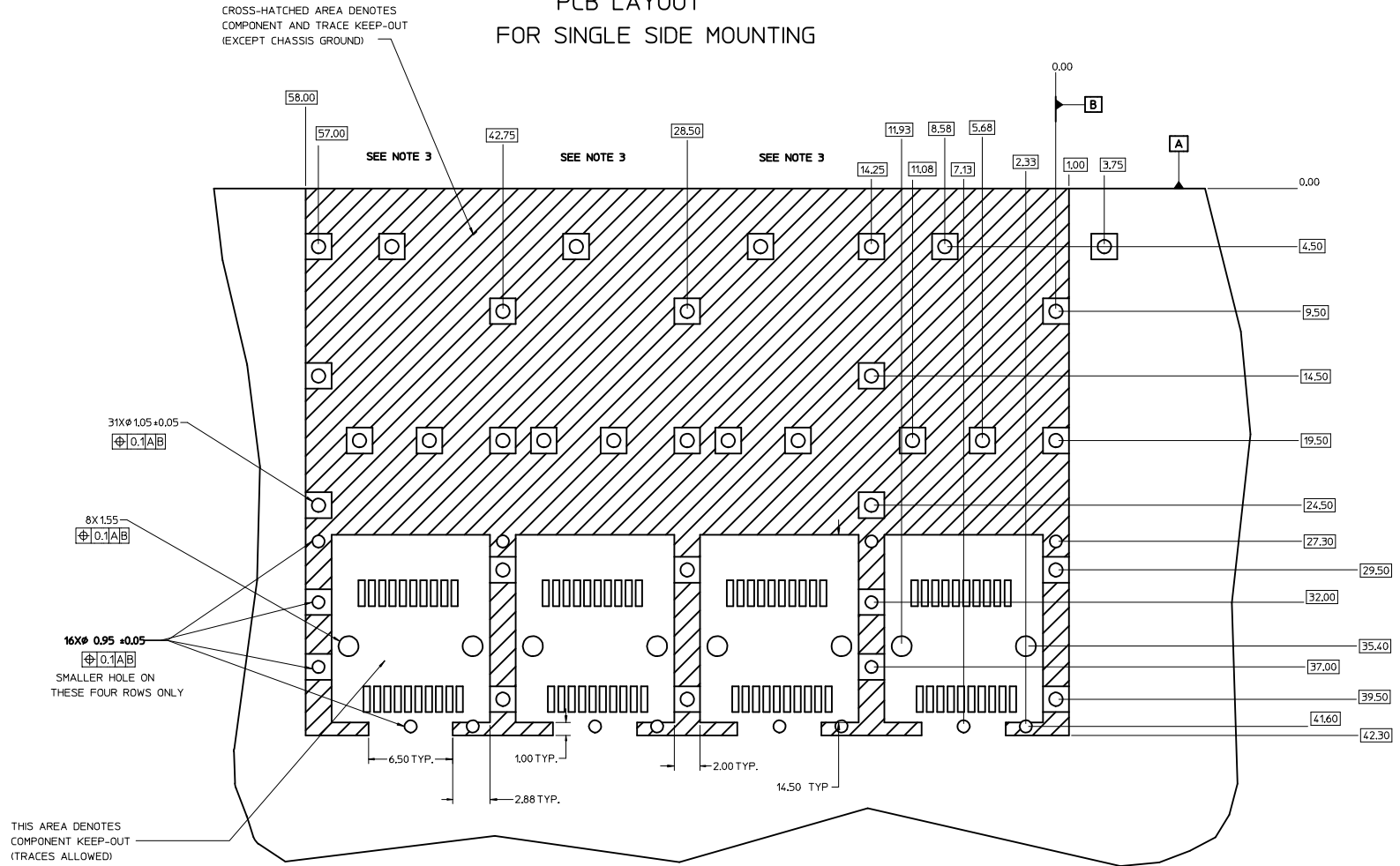
WEEK/YEAR DATE CODE TABLE	
WW	01 THRU 52 OR 53 EXAMPLE: 01 = FIRST WEEK OF YEAR 52 = LAST WEEK OF YEAR
YY	15, 16, 17 ETC. EXAMPLE: YEAR 2015 = 15

NOTES:

- PRESS FIT LEGS 3.05 MM LONG
1.57 MM MINIMUM PCB THICKNESS FOR SINGLE SIDED USE.
2.25 MM MINIMUM PCB THICKNESS FOR BELLY TO BELLY USE.
- MATERIAL: STAINLESS STEEL
- NO RoHS EXEMPTIONS

SEE REVISION TABLE EC NO: CPG2016-1266 DRAWN THSU CHKD: APPROVED RCHEN08	QUALITY SYMBOLS ▽=0 ▽=0 ▽=0	GENERAL TOLERANCES (UNLESS SPECIFIED)		DIMENSION STYLE		SCALE 3:1	DESIGN UNITS METRIC	THIRD ANGLE PROJECTION
		mm	INCH	MM ONLY	DATE			
		4 PLACES	± .001	± .001	DRAWN BY	DATE	TITLE 1X4 SFP GAGED CAGE PRESS FIT 3.05MM STAINLESS STEEL	
		3 PLACES	± .002	± .002	THSU	2015/06/23		
		2 PLACES	± 0.13	± .005	CHECKED BY	DATE	DOCUMENT NO. SD-73927-0470	
		1 PLACE	± 0.25	± .010	APPROVED BY	DATE		
		0 PLACE	±	±	RCHEN08	2015/09/22	SHEET NO. 1 OF 5	
DRAFT WHERE APPLICABLE MUST REMAIN WITHIN DIMENSIONS		ANGULAR ± 1 °		MATERIAL NO. 739270470		THIS DRAWING CONTAINS INFORMATION THAT IS PROPRIETARY TO MOLEX INCORPORATED AND SHOULD NOT BE USED WITHOUT WRITTEN PERMISSION		

PCB LAYOUT FOR SINGLE SIDE MOUNTING



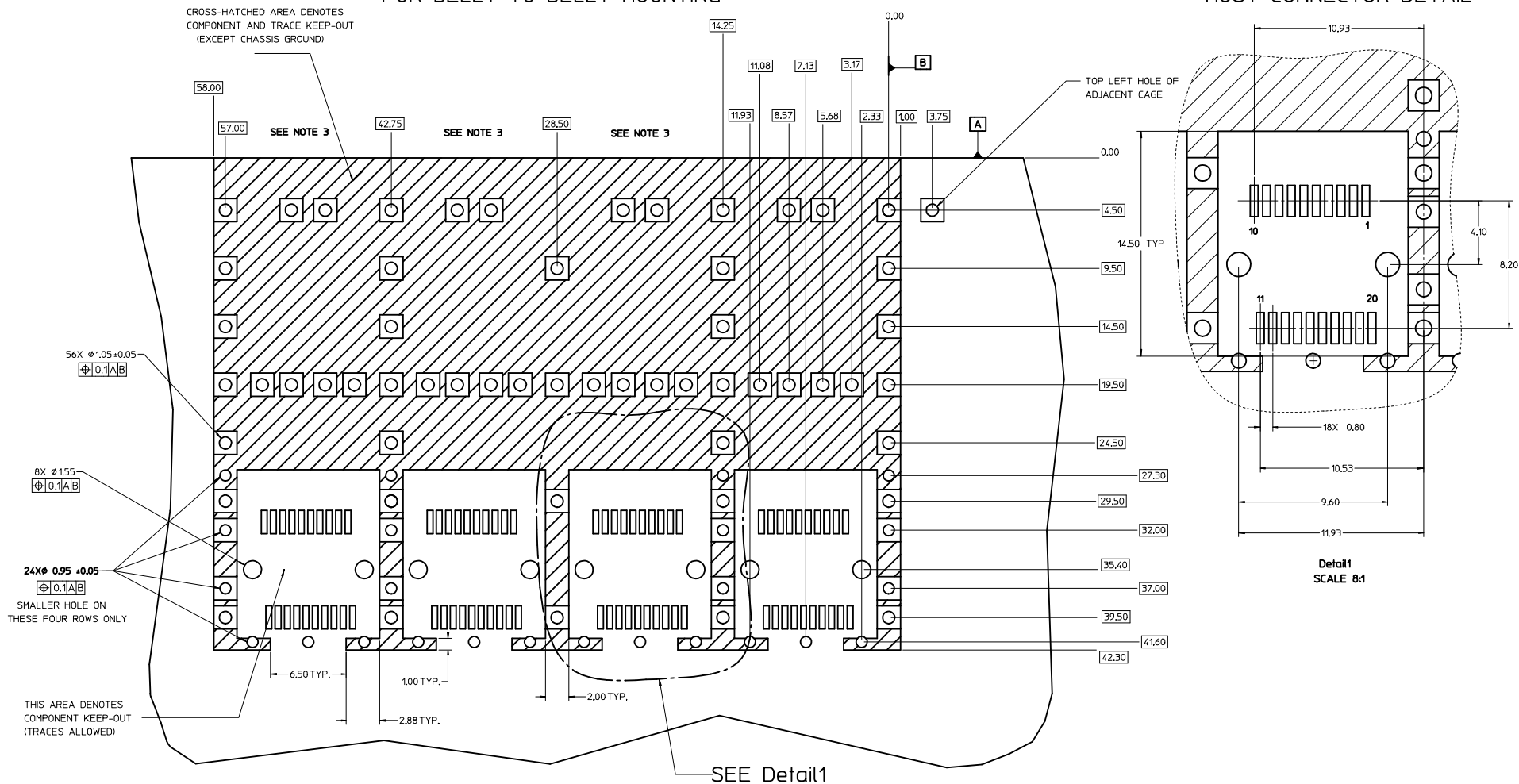
NOTES:

1. PADS AND VIAS GO TO CHASSIS GROUND, (34 PLACES).
RECOMMENDED PADS TO BE 2mm SQUARE
2. PLATING OPTIONAL FOR THROUGH HOLES, (12 PLACES).
3. RECOMMENDED PLATING INCLUDES HASL, IMMERSION (GOLD, SILVER, OR TIN), AND OSP.
4. HOLE PATTERN REPEATS FOR EACH PORT,
SPACING BETWEEN PORTS IS 14.25 MM
5. CONNECTOR PAD LAYOUT PER SFP MSA. WILL ACCOMODATE MOLEX
CONNECTOR SERIES 74441 OR EQUIVALENT.

SEE REVISION TABLE EC NO: CPG2016-1266 DRAWN: THSU CHKD: APPR: RCHEN08 REV: A	QUALITY SYMBOLS ∇=0 ∇=0 ∇=0	GENERAL TOLERANCES (UNLESS SPECIFIED) <table border="1" style="width: 100%; border-collapse: collapse;"> <thead> <tr> <th></th> <th>mm</th> <th>INCH</th> </tr> </thead> <tbody> <tr> <td>4 PLACES</td> <td>± 0.13</td> <td>± 0.005</td> </tr> <tr> <td>3 PLACES</td> <td>± 0.13</td> <td>± 0.005</td> </tr> <tr> <td>2 PLACES</td> <td>± 0.13</td> <td>± 0.005</td> </tr> <tr> <td>1 PLACE</td> <td>± 0.25</td> <td>± 0.010</td> </tr> <tr> <td>0 PLACE</td> <td>±</td> <td>±</td> </tr> </tbody> </table> ANGULAR ± 1 ° DRAFT WHERE APPLICABLE MUST REMAIN WITHIN DIMENSIONS		mm	INCH	4 PLACES	± 0.13	± 0.005	3 PLACES	± 0.13	± 0.005	2 PLACES	± 0.13	± 0.005	1 PLACE	± 0.25	± 0.010	0 PLACE	±	±	DIMENSION STYLE MM ONLY DRAWN BY: THSU CHECKED BY: DATE APPROVED BY: RCHEN08 DATE: 2015/09/22 MATERIAL NO: 739270470 SIZE: D	SCALE: 6:1 DESIGN UNITS: METRIC THIRD ANGLE PROJECTION	TITLE: 1X4 SFP GAGED CAGE PRESS FIT 3.05MM STAINLESS STEEL molex DOCUMENT NO: SD-73927-0470	SHEET NO: 2 OF 5
		mm	INCH																					
	4 PLACES	± 0.13	± 0.005																					
	3 PLACES	± 0.13	± 0.005																					
2 PLACES	± 0.13	± 0.005																						
1 PLACE	± 0.25	± 0.010																						
0 PLACE	±	±																						
THIS DRAWING CONTAINS INFORMATION THAT IS PROPRIETARY TO MOLEX INCORPORATED AND SHOULD NOT BE USED WITHOUT WRITTEN PERMISSION																								

PCB LAYOUT FOR BELLY TO BELLY MOUNTING

HOST CONNECTOR DETAIL

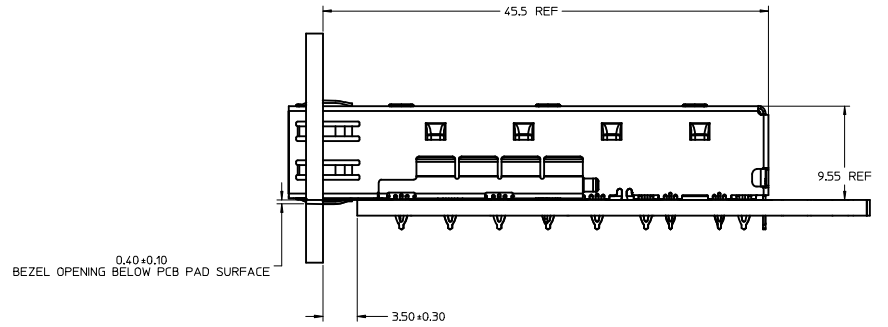
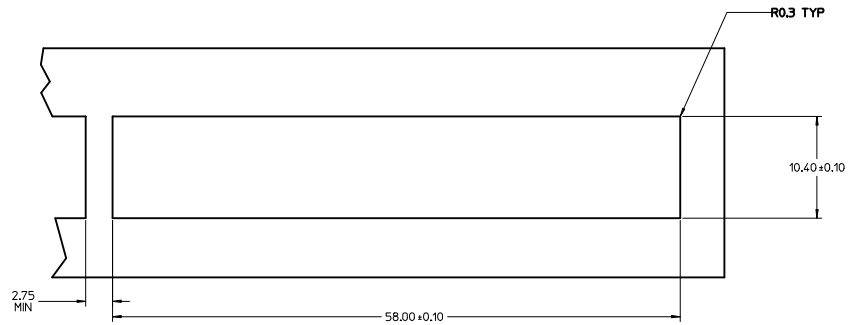


NOTES:

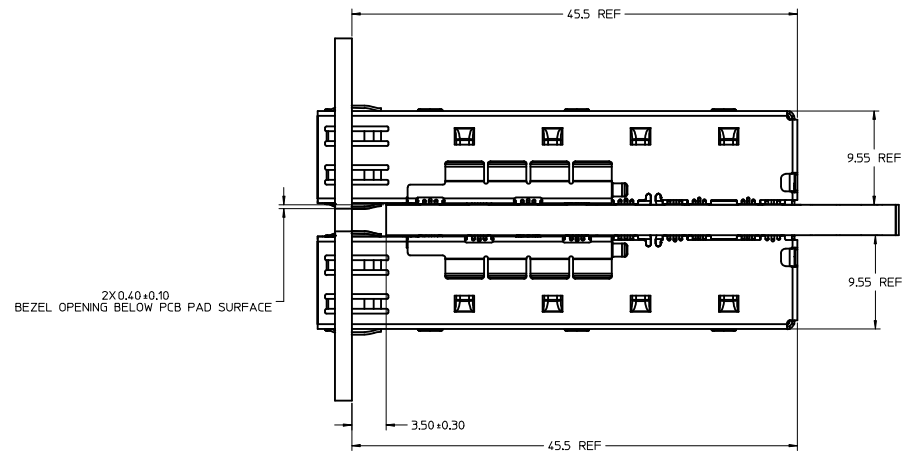
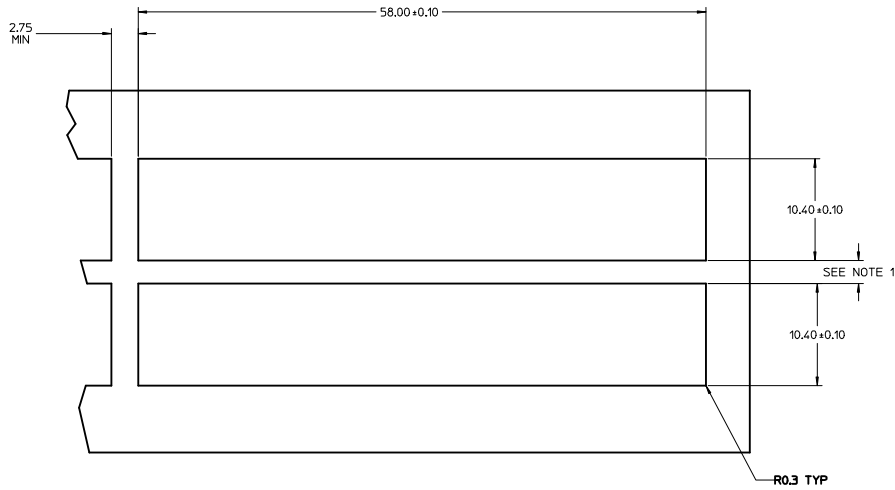
- PADS AND VIAS GO TO CHASSIS GROUND, (64 PLACES).
RECOMMENDED PADS TO BE 2mm SQUARE
- PLATING OPTIONAL FOR THROUGH HOLES, (16 PLACES).
- RECOMMENDED PLATING INCLUDES HASL, IMMERSION (GOLD, SILVER, OR TIN), AND OSP.
- HOLE PATTERN REPEATS FOR EACH PORT.
SPACING BETWEEN PORTS IS 14.25 MM
- CONNECTOR PAD LAYOUT PER SFP MSA. WILL ACCOMMODATE MOLEX CONNECTOR SERIES 74441 OR EQUIVALENT.

QUALITY SYMBOLS		GENERAL TOLERANCES (UNLESS SPECIFIED)		DIMENSION STYLE		SCALE	DESIGN UNITS	THIRD ANGLE PROJECTION	
		mm	INCH	MM ONLY		6:1	METRIC		
$\nabla=0$	4 PLACES	±---	±---	DRAWN BY	DATE	TITLE 1X4 SFP GAGED CAGE PRESS FIT 3.05MM STAINLESS STEEL			
$\nabla=0$	3 PLACES	±---	±---	THSU	2015/06/23				
$\nabla=0$	2 PLACES	±0.13	±---	CHECKED BY	DATE	DOCUMENT NO. SD-73927-0470			
$\nabla=0$	1 PLACE	±0.25	±---	APPROVED BY	DATE				
$\nabla=0$	0 PLACE	±	±---	RCHEN08	2015/09/22	SHEET NO. 3 OF 5			
DRAFT WHERE APPLICABLE MUST REMAIN WITHIN DIMENSIONS		ANGULAR ± 1 °		MATERIAL NO. 739270470					

BEZEL AND BOARD POSITION DIMENSIONS FOR SINGLE SIDE MOUNTING

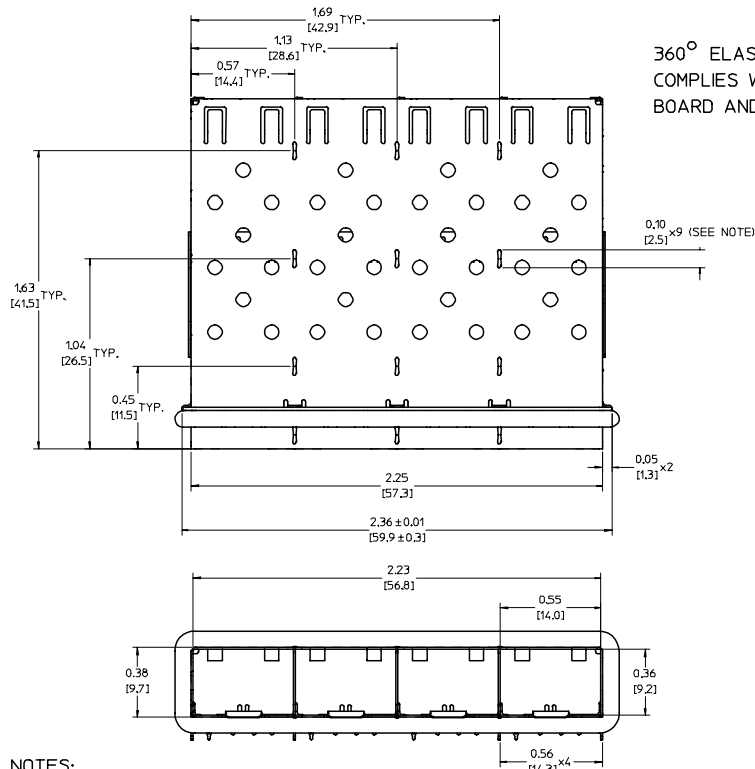


BEZEL AND BOARD POSITION DIMENSIONS FOR BELLY TO BELLY MOUNTING



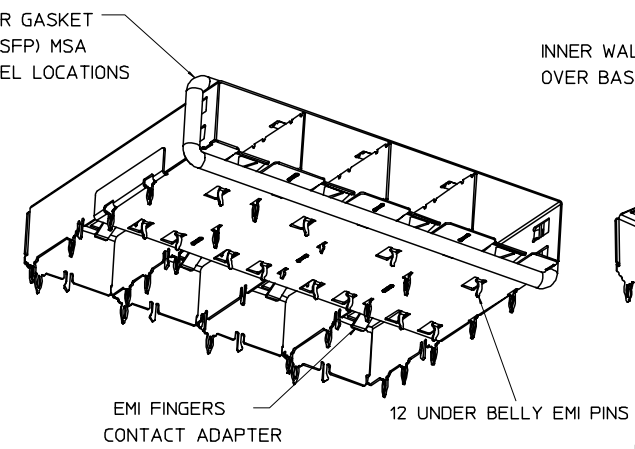
NOTE:
1. PCB THICKNESS VARIATION MUST BE CONSIDERED WHEN BEZEL OPENING LOCATION

SEE REVISION TABLE IEC NO: CPG2016-1266 DRAWN: THSU CHKD: APPR: RCHEN08 APPROVED: 2015/09/22	QUALITY SYMBOLS	GENERAL TOLERANCES (UNLESS SPECIFIED)	DIMENSION STYLE	SCALE	DESIGN UNITS	THIRD ANGLE PROJECTION
	▽=0	4 PLACES ± mm	MM ONLY	4:1	METRIC	
	▽=0	3 PLACES ± 0.13				
	▽=0	2 PLACES ± 0.25				
		ANGULAR ± 1 °	DRAWN BY	DATE	TITLE	
		DRAFT WHERE APPLICABLE MUST REMAIN WITHIN DIMENSIONS	THSU	2015/06/23	1X4 SFP GAGED CAGE PRESS FIT 3.05MM STAINLESS STEEL	
			CHECKED BY	DATE	APPROVED BY	
			RCHEN08	2015/09/22	DATE	
					MATERIAL NO.	
					739270470	
					DOCUMENT NO.	
					SD-73927-0470	
					SHEET NO.	
					4 OF 5	
					THIS DRAWING CONTAINS INFORMATION THAT IS PROPRIETARY TO MOLEX INCORPORATED AND SHOULD NOT BE USED WITHOUT WRITTEN PERMISSION	

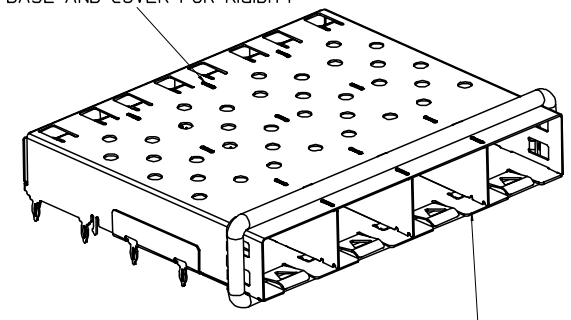


- NOTES:
1. PRESS FIT LEGS .120" LONG-
 0.062 [1.57] MINIMUM PCB THICKNESS FOR SINGLE SIDED USE.
 0.118 [3.00] MINIMUM PCB THICKNESS FOR BELLY TO BELLY USE.
 2. MATERIAL: COPPER ALLOY
 PLATING: NONE
- NOTE: A NICKEL PLATED VERSION IS AVAILABLE.
 REFER TO DOCUMENT SD-74728-420
3. REFERENCE DOCUMENTS:
 PRODUCT SPECIFICATION: PS-74728-000
 COSMETIC SPECIFICATIONS: WI-HP-7-2774 AND WI-HPA-7-0093
 TEST SUMMARY: TS-74728-0415
 4. THIS PART MEETS THE RESTRICTION OF HAZARDOUS SUBSTANCES IN ELECTRICAL AND ELECTRONIC EQUIPMENT (ROHS) DIRECTIVE (2002/95/EC).

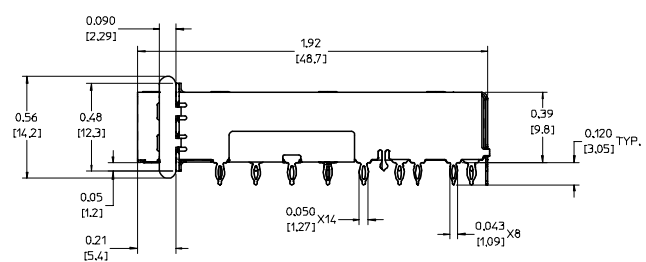
360° ELASTOMER GASKET COMPLIES WITH (SFP) MSA BOARD AND BEZEL LOCATIONS



INNER WALL TABS ARE COINED OVER BASE AND COVER FOR RIGIDITY



DIMENSIONS OF EACH INNER CAGE DESIGNED TO FUNCTION WITH SMALL FORM-FACTOR PLUGGABLE (SFP) TRANSCEIVER

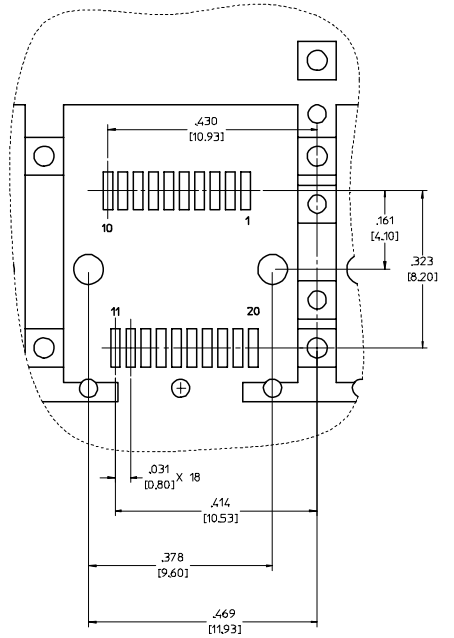
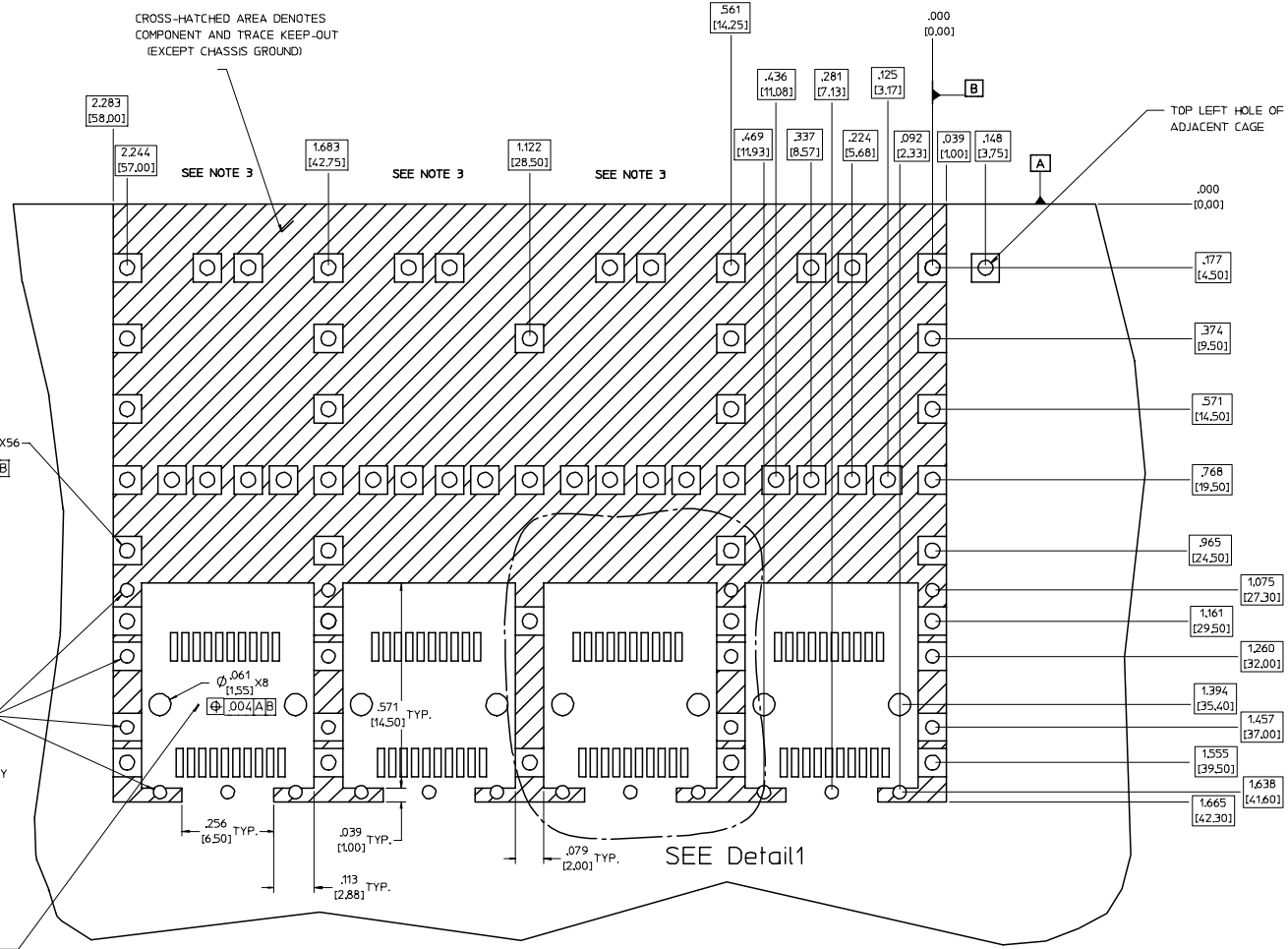


ENTER DESCRIPTION EC NO: USY2006-0079 DRAWN BY: JORWANSI MONSON 2006/01/17 CHECKED BY: CHFKBRUSSELL 2006/01/28 APPR: BRUSSELL 2006/01/25	QUALITY SYMBOLS	GENERAL TOLERANCES (UNLESS SPECIFIED)	DIMENSION STYLE	SCALE	DESIGN UNITS	THIRD ANGLE PROJECTION
	▽=0 ▽=0	mm INCH 4 PLACES ± --- ± --- 3 PLACES ± --- ± .005 2 PLACES ± 0.13 ± .01 1 PLACE ± 0.25 ± --- ANGULAR ± 1 °	IN/MM DRAWN BY: KS IMONSO 2004/02/27 CHECKED BY: BRUSSELL 2004/02/27 APPROVED BY: BRUSSELL 2004/02/27	3:1	METRIC	TITLE: 1X4 SFP GANGED CAGE ASSEMBLY W/ 0.090 GASKET, PRESS FIT MOLEX INCORPORATED
	DRAFT WHERE APPLICABLE MUST REMAIN WITHIN DIMENSIONS	MATERIAL NO: 739270415	DOCUMENT NO: SD-73927-415	SHEET NO: 1 OF 5		
	THIS DRAWING CONTAINS INFORMATION THAT IS PROPRIETARY TO MOLEX INCORPORATED AND SHOULD NOT BE USED WITHOUT WRITTEN PERMISSION					

PCB LAYOUT FOR BELLY TO BELLY MOUNTING

CROSS-HATCHED AREA DENOTES
COMPONENT AND TRACE KEEP-OUT
(EXCEPT CHASSIS GROUND)

HOST CONNECTOR DETAIL



Detail 1
SCALE 8:1

- NOTES:**
- PADS AND VIAS GO TO CHASSIS GROUND. (64 PLACES).
RECOMMENDED PADS TO BE 2mm SQUARE
 - PLATING OPTIONAL FOR THROUGH HOLES. (16 PLACES).
 - RECOMMENDED PLATING INCLUDES HASL, IMMERSION (GOLD, SILVER, OR TIN), AND OSP.
 - HOLE PATTERN REPEATS FOR EACH PORT,
SPACING BETWEEN PORTS IS 5.61 [14.25]
 - CONNECTOR PAD LAYOUT PER SFP MSA. WILL ACCOMMODATE MOLEX
CONNECTOR SERIES 74441 OR EQUIVALENT.

THIS AREA DENOTES
COMPONENT KEEP-OUT
(TRACES ALLOWED)

$\phi .041 \pm .002$ X56
 $[1.05 \pm 0.05]$
 $\phi .004 [A/B]$

$\phi .037 \pm .002$ X24
 $[0.95 \pm 0.05]$
 $\phi .004 [A/B]$
SMALLER HOLE ON
THESE FOUR ROWS ONLY

$\phi .061$ X8
 $[1.55]$
 $\phi .004 [A/B]$

.571 TYP.
[14.50]

.256 TYP.
[6.50]

.039 TYP.
[1.00]

.113 TYP.
[2.88]

.079 TYP.
[2.00]

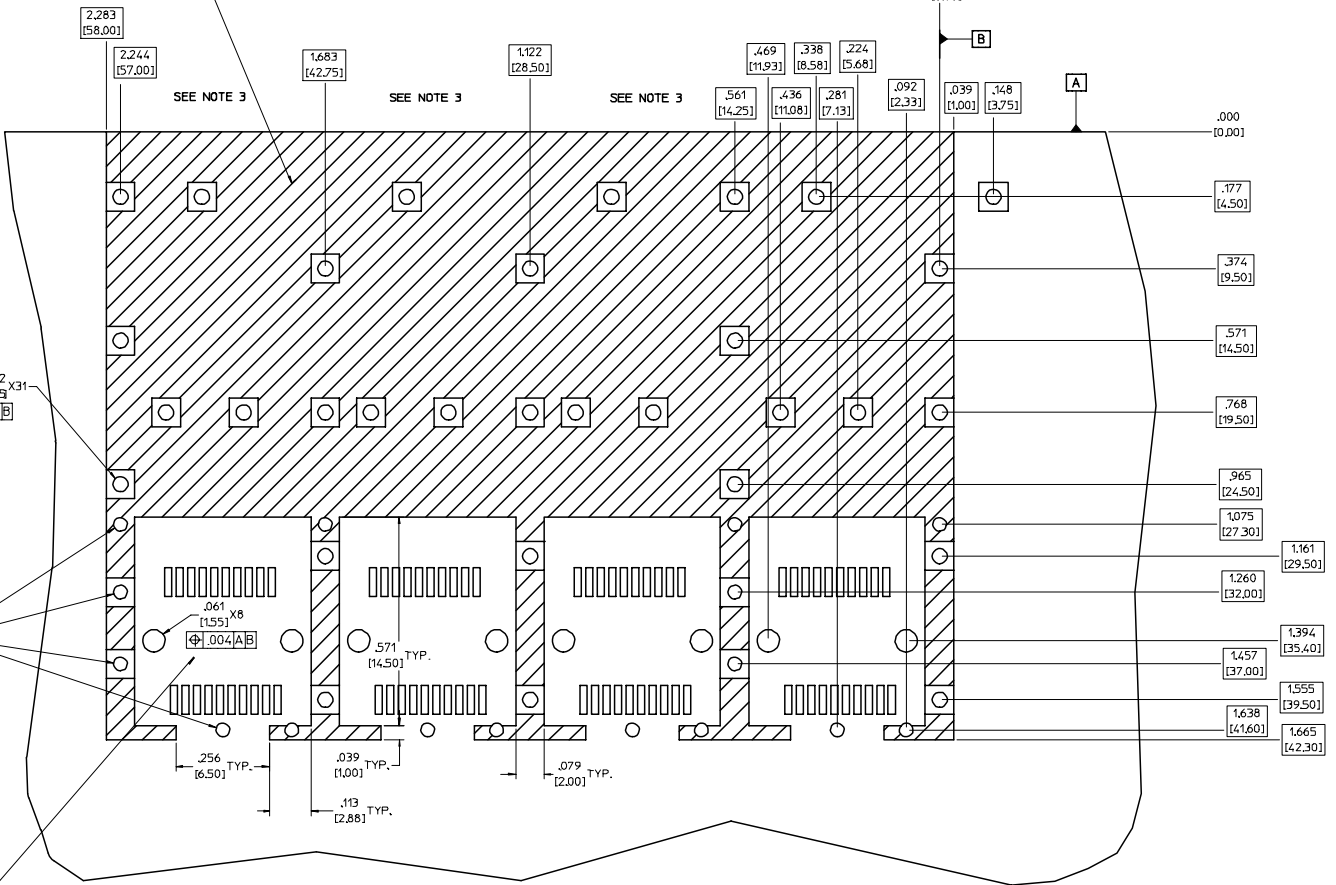
SEE Detail 1

TOP LEFT HOLE OF
ADJACENT CAGE

ENTER DESCRIPTION EC NO: UST2006-0079 DRAWN BY: JORWANS MONSON 2006/01/17 CHECKED BY: CHUCK BRUSSELL 2006/01/28 APPR: BRUSSELL 2006/01/25	QUALITY SYMBOLS $\nabla=0$ $\nabla=0$	GENERAL TOLERANCES (UNLESS SPECIFIED) <table border="1"> <tr> <th></th> <th>mm</th> <th>INCH</th> </tr> <tr> <td>4 PLACES ±</td> <td>---</td> <td>±---</td> </tr> <tr> <td>3 PLACES ±</td> <td>---</td> <td>±.005</td> </tr> <tr> <td>2 PLACES ±</td> <td>0.13</td> <td>±.01</td> </tr> <tr> <td>1 PLACE ±</td> <td>0.25</td> <td>±---</td> </tr> <tr> <td>ANGULAR ±</td> <td colspan="2">1°</td> </tr> </table>		mm	INCH	4 PLACES ±	---	±---	3 PLACES ±	---	±.005	2 PLACES ±	0.13	±.01	1 PLACE ±	0.25	±---	ANGULAR ±	1°		DIMENSION STYLE IN/MM DRAWN BY: KS IMONSO DATE: 2004/02/27 CHECKED BY: BRUSSELL DATE: 2004/02/27 APPROVED BY: BRUSSELL DATE: 2004/02/27	SCALE: 6:1 DESIGN UNITS: METRIC THIRD ANGLE PROJECTION	TITLE: 1X4 SFP GANGED CAGE ASSEMBLY W/ 0.090 GASKET, PRESS FIT MOLEX INCORPORATED
		mm	INCH																				
	4 PLACES ±	---	±---																				
	3 PLACES ±	---	±.005																				
2 PLACES ±	0.13	±.01																					
1 PLACE ±	0.25	±---																					
ANGULAR ±	1°																						
DRAFT WHERE APPLICABLE MUST REMAIN WITHIN DIMENSIONS	MATERIAL NO.: 739270415 SIZE: D	DOCUMENT NO.: SD-73927-415 SHEET NO.: 2 OF 5	THIS DRAWING CONTAINS INFORMATION THAT IS PROPRIETARY TO MOLEX INCORPORATED AND SHOULD NOT BE USED WITHOUT WRITTEN PERMISSION																				

PCB LAYOUT FOR SINGLE SIDE MOUNTING

CROSS-HATCHED AREA DENOTES
COMPONENT AND TRACE KEEP-OUT
(EXCEPT CHASSIS GROUND)



$\phi .041 \pm .002$ X31
 1.05 ± 0.03
 $\phi .004$ [A/B]

$\phi .037 \pm .002$ X16
 1.95 ± 0.03
 $\phi .004$ [A/B]
SMALLER HOLE ON
THESE FOUR ROWS ONLY

THIS AREA DENOTES
COMPONENT KEEP-OUT
(TRACES ALLOWED)

NOTES:

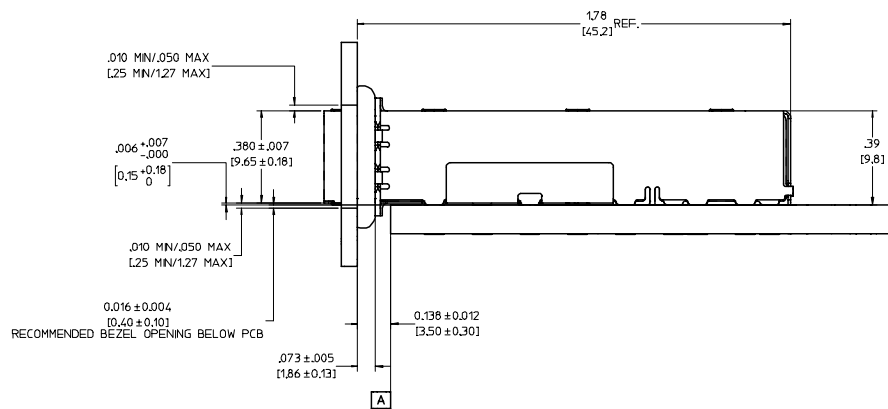
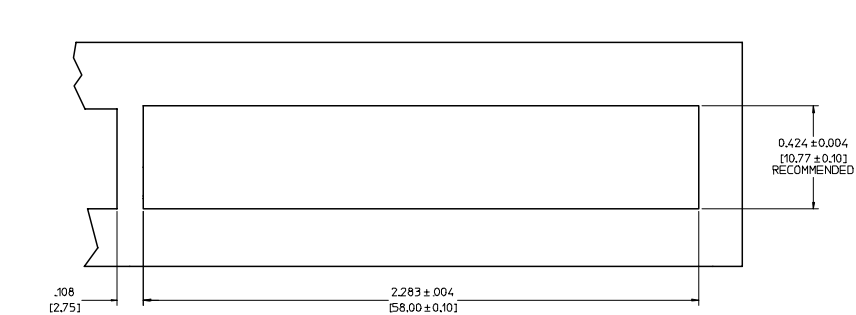
1. PADS AND VIAS GO TO CHASSIS GROUND. (34 PLACES).
RECOMMENDED PADS TO BE 2mm SQUARE
2. PLATING OPTIONAL FOR THROUGH HOLES. (12 PLACES).
3. RECOMMENDED PLATING INCLUDES HASL, IMMERSION (GOLD, SILVER, OR TIN), AND OSP.
4. HOLE PATTERN REPEATS FOR EACH PORT.
SPACING BETWEEN PORTS IS 5.61 [14.25]
5. CONNECTOR PAD LAYOUT PER SFP MSA. WILL ACCOMMODATE MOLEX
CONNECTOR SERIES 74441 OR EQUIVALENT.

ENTER DESCRIPTION EC NO: UST2006-0079 DRAWN BY: JORWANKS/IMONSO 2004/01/17 CHECKED BY: CHKCB/RUSSELL 2004/01/28 APPR: BRUSSELL 2004/01/25 REV:	QUALITY SYMBOLS	GENERAL TOLERANCES (UNLESS SPECIFIED)	DIMENSION STYLE	SCALE	DESIGN UNITS	THIRD ANGLE PROJECTION
	$\nabla=0$ $\nabla=0$	mm INCH 4 PLACES ± --- ± --- 3 PLACES ± --- ± .005 2 PLACES ± 0.13 ± .01 1 PLACE ± 0.25 ± --- ANGULAR ± 1 °	IN/MM DATE DRAWN BY: KS IMONSO 2004/02/27 CHECKED BY: BRUSSELL DATE APPROVED BY: BRUSSELL DATE 2004/02/27	6:1	METRIC	TITLE 1X4 SFP GANGED CAGE ASSEMBLY W/ 0.090 GASKET, PRESS FIT MOLEX INCORPORATED
	DRAFT WHERE APPLICABLE MUST REMAIN WITHIN DIMENSIONS	MATERIAL NO. 739270415	DOCUMENT NO. SD-73927-415	SHEET NO. 3 OF 5		
	THIS DRAWING CONTAINS INFORMATION THAT IS PROPRIETARY TO MOLEX INCORPORATED AND SHOULD NOT BE USED WITHOUT WRITTEN PERMISSION					

20 19 18 17 16 15 14 13 12 11 10 9 8 7 6 5 4 3 2 1

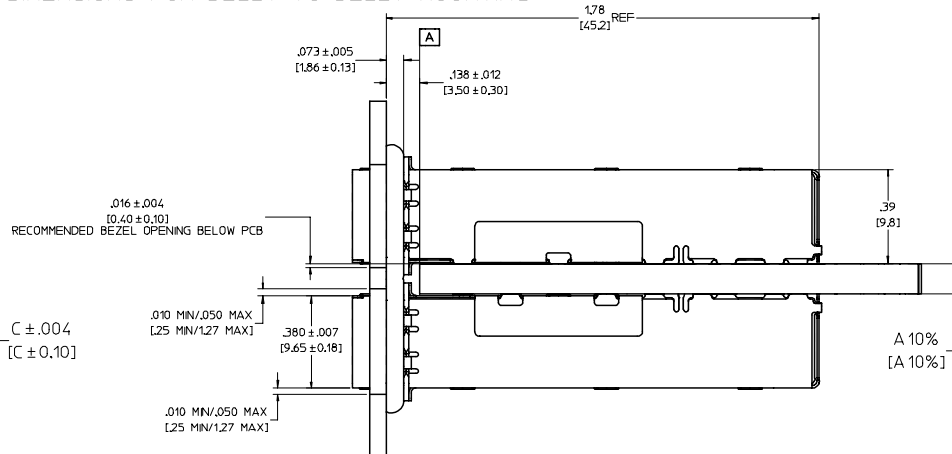
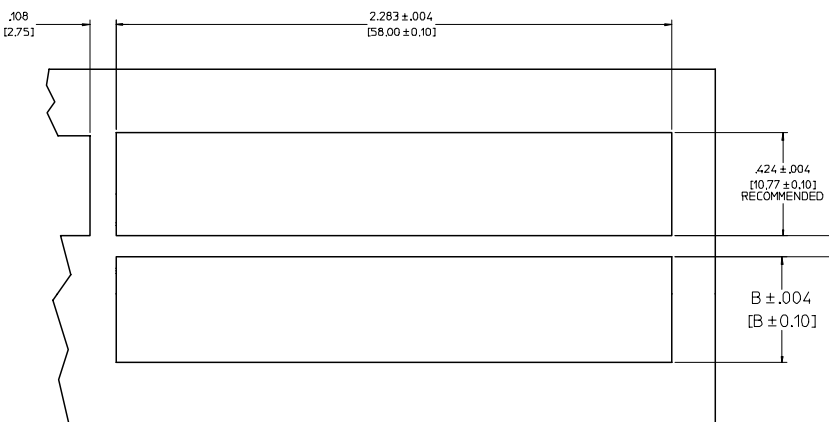
M
L
K
J
I
H
G
F
E
D
C
B
A

M
L
K
J
I
H
G
F
E
D
C
B
A



BEZEL AND BOARD POSITION DIMENSIONS FOR SINGLE SIDE MOUNTING

BEZEL AND BOARD POSITION DIMENSIONS FOR BELLY TO BELLY MOUNTING



NOTE: FOR A GIVEN BOARD THICKNESS (A), DIMENSIONS (B) AND (C) ARE DIRECTLY AFFECTED.

USE RECOMMENDED DIMENSIONS AND TOLERANCES TO AID IN DEVELOPING BEZEL OPENING.

FOR EXAMPLE USING A BOARD THICKNESS OF .125" THE RECOMMENDED VALUES WOULD BE:

- A= .125/3.18 ± 10%
- B= .434/11.03 ± .004
- C= .088/2.23 ± .004

ENTER DESCRIPTION EC NO: UST2006-0079 DRAWN BY: JORWANSI MONSON 2006/01/17 CHECKED BY: CHUCK BRUSSELL 2006/01/28 APPROVED BY: BRUSSELL 2006/01/25 DESCRIPTION:	QUALITY SYMBOLS ▽=0 ▽=0		GENERAL TOLERANCES (UNLESS SPECIFIED) mm INCH 3 PLACES ± .005 ± .005 2 PLACES ± 0.13 ± .01 1 PLACE ± 0.25 ± .01 ANGULAR ± 1 °		DIMENSION STYLE IN/MM		SCALE 4:1	DESIGN UNITS METRIC	THIRD ANGLE PROJECTION
	DRAWN BY: K SIMONSO 2004/02/27 CHECKED BY: BRUSSELL 2004/02/27 APPROVED BY: BRUSSELL 2004/02/27		DATE:		DATE:		TITLE 1X4 SFP GANGED CAGE ASSEMBLY W/ 0.090 GASKET, PRESS FIT		
	MATERIAL NO.: 739270415		DOCUMENT NO.: SD-73927-415		SHEET NO.: 4 OF 5		MOLEX INCORPORATED		
	DRAFT WHERE APPLICABLE MUST REMAIN WITHIN DIMENSIONS		SIZE D		THIS DRAWING CONTAINS INFORMATION THAT IS PROPRIETARY TO MOLEX INCORPORATED AND SHOULD NOT BE USED WITHOUT WRITTEN PERMISSION				

19 18 17 16 15 14 13 12 11 10 9 8 7 6 5 4 3 2 1

20 19 18 17 16 15 14 13 12 11 10 9 8 7 6 5 4 3 2 1

M

L

K

J

I

H

G

F

E

D

C

B

A

M

L

K

J

I

H

G

F

E

D

C

B

A

DATE	REV	CHANGES	COMMENTS
2/27/2004	A	INITIAL RELEASE	N/A
10/09/2004	B	UPDATED VIEWS	DOCUMENT CHANGE ONLY
10/07/2005	C	ADDED PCB AND BEZEL DETAILS. UPDATED NOTES.	DOCUMENT CHANGE ONLY

ENTER DESCRIPTION EC NO: UST2006-0079 DRAWN BY: JORWANKS MONSON 2006/01/17 CHECKED BY: CHFKO BRUSSELL 2006/01/28 APPR: BRUSSELL 2006/01/28	QUALITY SYMBOLS ▽=0 ▽=0	GENERAL TOLERANCES (UNLESS SPECIFIED)		DIMENSION STYLE IN/MM		SCALE 1:1	DESIGN UNITS METRIC	THIRD ANGLE PROJECTION
		4 PLACES ± --- ± --- 3 PLACES ± --- ± .005 2 PLACES ± 0.13 ± .01 1 PLACE ± 0.25 ± --- ANGULAR ± 1 °	mm INCH KS IMONSO 2004/02/27 BRUSSELL 2004/02/27 BRUSSELL 2004/02/27	TITLE 1X4 SFP GANGED CAGE ASSEMBLY W/ 0.090 GASKET, PRESS FIT		MATERIAL NO. 739270415		DOCUMENT NO. SD-73927-415
DRAFT WHERE APPLICABLE MUST REMAIN WITHIN DIMENSIONS		THIS DRAWING CONTAINS INFORMATION THAT IS PROPRIETARY TO MOLEX INCORPORATED AND SHOULD NOT BE USED WITHOUT WRITTEN PERMISSION						

19 18 17 16 15 14 13 12 11 10 9 8 7 6 5 4 3 2 1