

PART NO.	A98181-025	REV	ECO	DATE	APP
		A	102791	08-09-16	HV

**MATERIALS**

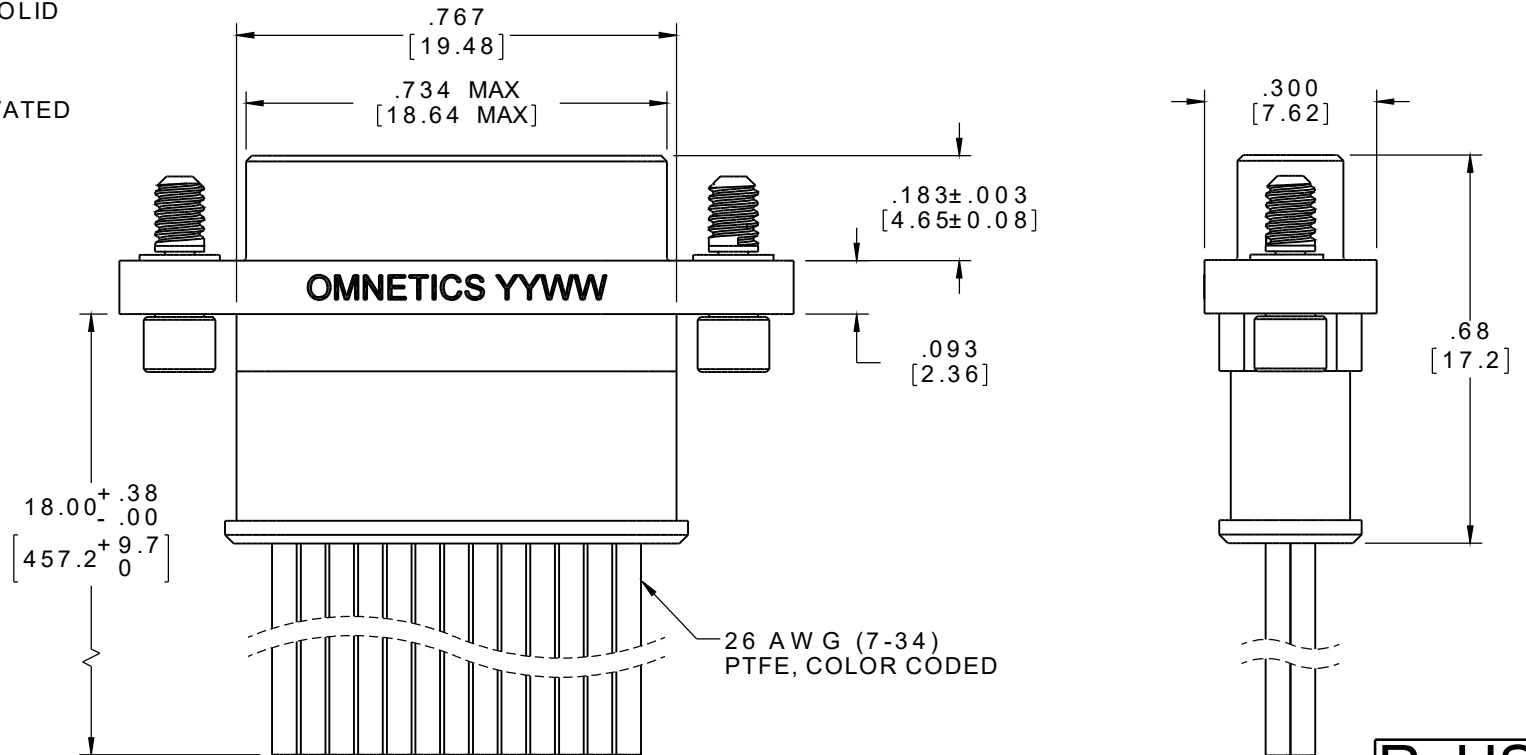
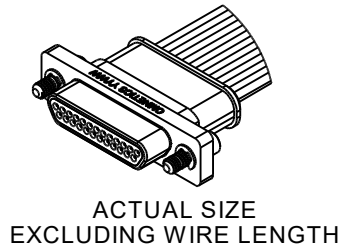
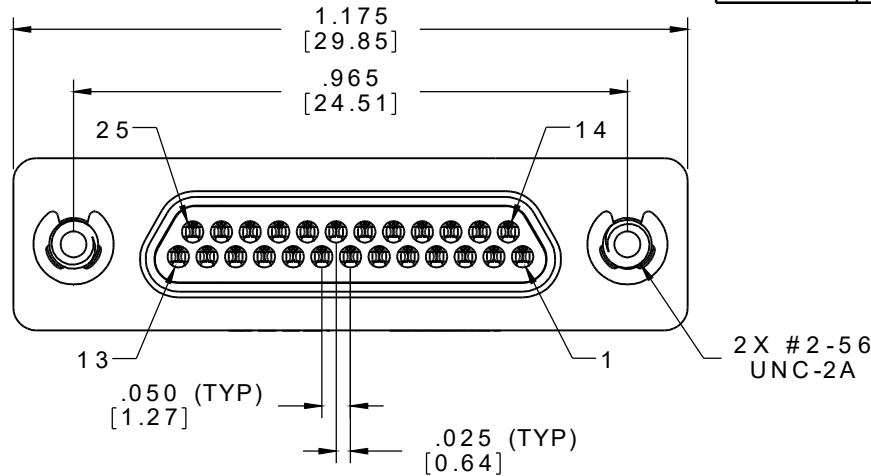
**HOUSING:**  
ALUMINUM 6061-T6, NICKEL PLATE PER SAE-AMS-2404

**INSULATOR:**  
LIQUID CRYSTAL POLYMER (LCP) PER ASTM D5138

**CONTACT:**  
BERYLLIUM COPPER PER ASTM B194, C17200, GOLD PLATED PER ASTM B488, (HARD GOLD) TYPE II CODE C, CLASS 1.27

**WIRE:**  
NEMA HP3 TYPE E, COLOR CODED IAW MIL-STD-681, SYSTEM 1, USING TEN SOLID REPEATING COLORS

**HARDWARE:**  
STAINLESS STEEL, PASSIVATED PER SAE-AMS-2700



PIN #	COLOR
1, 11, 21	BLACK
2, 12, 22	BROWN
3, 13, 23	RED
4, 14, 24	ORANGE
5, 15, 25	YELLOW
6, 16	GREEN
7, 17	BLUE
8, 18	VIOLET
9, 19	GRAY
10, 20	WHITE

**INTERNAL USE ONLY**  
USE MFG LOADING PROCEDURE MMDP-025

**RoHS**

**NOTE:**

DIMENSIONS IN [ ] ARE IN MILLIMETERS UNLESS OTHERWISE NOTED AND ARE FOR REFERENCE ONLY

MMDP SLDW	THIRD ANGLE	THIS DRAWING CONTAINS CONFIDENTIAL AND PROPRIETARY INFORMATION WHICH IS THE PROPERTY OF OMNETICS CONNECTOR CORP. THIS DOCUMENT MAY NOT, IN WHOLE OR IN PART, BE DUPLICATED, OR DISCLOSED FOR ANY PURPOSE, WITHOUT WRITTEN PERMISSION FROM OMNETICS CONNECTOR CORP.		<b>OMNETICS</b>	CAGE CODE 61873	
	-TOLERANCES- UNLESS OTHERWISE NOTED	DFTM. HV	DATE 05-27-16		TITLE: (25) PIN MALE MICRO-D CONNECTOR W/ JACKSCREWS	DWG NO. A98181-025
	DIMENSIONS IN INCHES	CHK'D.	DATE	APP'D.	DATE	SHEET 1 OF 1
	2 PL DEC ± .01 3 PL DEC ± .005 4 PL DEC ± .0005 ANGLES ± 1°					REV A

**CONNECTOR CORPORATION**  
7260 COMMERCE CIRCLE EAST  
MINNEAPOLIS, MN 55432  
WWW.OMNETICS.COM

SCALE: 3:1