

DWG. NO. SD-500239-002

8 7 6 5 4 3 2 1

F

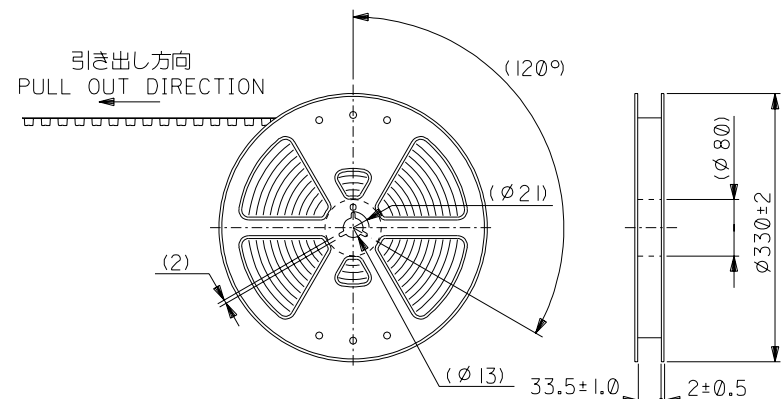
D

V

C

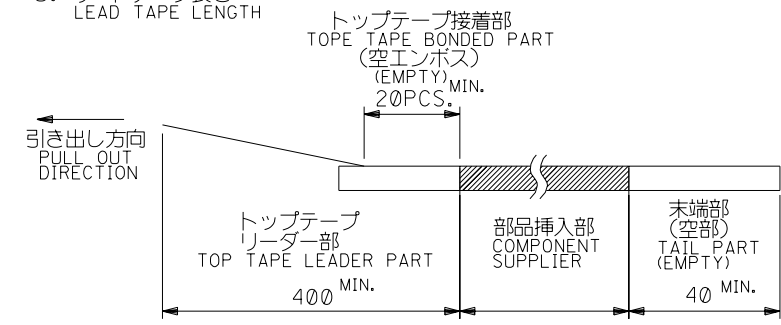
B

DO NOT SCALE DRAWING



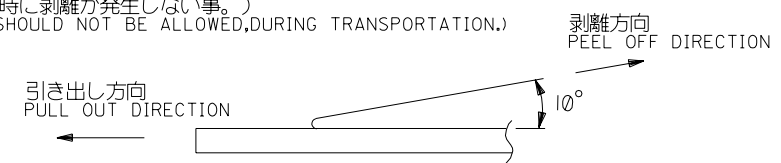
注)
NOTES

- 製品番号500239-06** 詳細寸法については、製品単体図面を参照下さい。
IN THE PACKAGE PART NUMBER 500239-06** DETAILED DIMENSIONS, SEE SALES DRAWING FOR CONNECTOR.
- 梱包数量: 500個/リール
NUMBER OF CONNECTORS: 500 PCS/REEL.
- リードテープ長さ
LEAD TAPE LENGTH



- トップテープの剥離強度: (剥離方向は下図参照)
PEELING OFF FORCE OF TOP TAPE (PELLING DIRECTION AS SHOWN IN FOLLOWING FIGURE.)
0. 1~1. 3N (10~130gf)

尚、本規格値は、出荷時に適用。
THIS REQUIREMENT SHOULD BE APPLIED AT SHIPMENT.
(但し、輸送時に剥離が発生しない事。)
(PEEL OFF SHOULD NOT BE ALLOWED, DURING TRANSPORTATION.)



- 材料
MATERIAL
キャリアテープ: ポリプロピレン (PP)
CARRIER TAPE: POLYPROPYLENE (PP)
トップテープ: PET, PE, PEF
TOP TAPE: PET, PE, PEF
リール: ポリスチレン
REEL: POLYSTYRENE

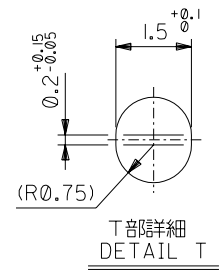
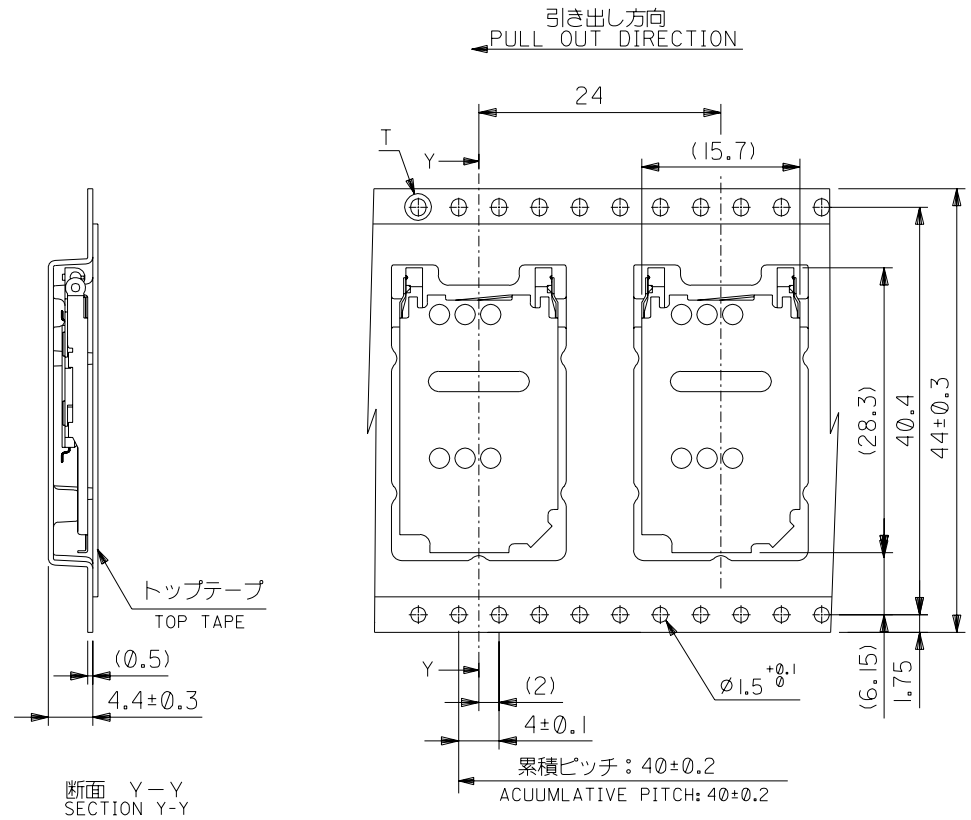
500239-0618	500239-0611	鉛フリー LEAD FREE
収納コネクタ CONTENTS	製品番号 MATERIAL NO.	

EC NO. DRWN: CHK: APPR:	EC NO. DRWN: CHK: APPR:	EC NO. DRWN: CHK: APPR:	REVISED EC NO. J2004-1600 DRWN: THIRATA 03/12/17 CHK: MSASAO 03/12/17 APPR: MSASAO 03/12/17	RELEASED EC NO. J2003-0406 DRWN: THIRATA 02/03/29 CHK: MSASAO 02/03/29 APPR: MSASAO 02/03/29	MATERIAL 材料 注記参照 SEE NOTES	GENERAL TOLERANCES: (UNLESS SPECIFIED) 一般公差	SCALE NONE	DESIGN UNITS <input checked="" type="checkbox"/> mm <input type="checkbox"/> INCH	THIRD ANGLE PROJECTION	DIMENSIONS: <input type="checkbox"/> mm <input type="checkbox"/> INCH <input checked="" type="checkbox"/> mm ONLY	SHT REV
			A	0	FINISH 仕上げ 注記参照 SEE NOTES	10 UNDER 未満 ±0.2	DRAWN BY & DATE T. Kirata 02/08/09	TITLE: 500239-06** TAPING PACKAGE			
					WIRE RANGE 適用線径範囲	10 OVER 30 UNDER 以上 未満 ±0.25	CHECKED BY & DATE H. Saito 02/08/09				
					INS. RANGE 被覆外径	30 OVER 以上 ±0.3	APPROVED BY & DATE H. Saito 02/08/09				
					ANGLE 角度	ANGLE 角度 ±3°	CAD FILENAME SD-500239-002.S01	MATERIAL NO. SEE CHART	DRAWING NO. SD-500239-002	SHEET NO. 1 OF 2	
							THIS DRAWING CONTAINS INFORMATION THAT IS PROPRIETARY TO MOLEX INCORPORATED AND SHOULD NOT BE USED WITHOUT WRITTEN PERMISSION.				SIZE B

8 7 6 5 4 3 2 1 EN-02J(097) MXJ-54

SD-500239-002S01

DWG. NO.
SD-500239-002



DO NOT SCALE DRAWING

EC NO. DRWN: CHK: APPR:	EC NO. DRWN: CHK: APPR:	EC NO. DRWN: CHK: APPR:	EC NO. DRWN: CHK: APPR:	EC NO. DRWN: CHK: APPR:	EC NO. DRWN: CHK: APPR: SEE SHEET 1 OF 2	DESCRIPTION	MATERIAL 材料	注記参照 SEE NOTES	GENERAL TOLERANCES: (UNLESS SPECIFIED) 一般公差		SCALE NONE	DESIGN UNITS <input checked="" type="checkbox"/> mm <input type="checkbox"/> INCH	THIRD ANGLE PROJECTION	DIMENSIONS: <input type="checkbox"/> mm <input type="checkbox"/> INCH <input checked="" type="checkbox"/> mm ONLY		SHT	REV
							FINISH 仕上げ		注記参照 SEE NOTES	10 UNDER 未満	±0.2	DRAWN BY & DATE <i>T. Kirata</i> 02/08/09		TITLE: 500239-06** TAPING PACKAGE	MATERIAL NO. SEE CHART	DRAWING NO. SD-500239-002	SHEET NO. 2
WIRE RANGE 適用電線範囲		—#—	10 OVER 30 UNDER 以上 未満	±0.25	CHECKED BY & DATE <i>H. Saito</i> 02/08/09		MOLEX INCORPORATED		THIS DRAWING CONTAINS INFORMATION THAT IS PROPRIETARY TO MOLEX INCORPORATED AND SHOULD NOT BE USED WITHOUT WRITTEN PERMISSION.		SIZE B						
INS. RANGE 被覆外径		—#—	30 OVER 以上	±0.3	APPROVED BY & DATE <i>H. Saito</i> 02/08/09		ANGLE 角度		±3°								

SD-500239-002S02