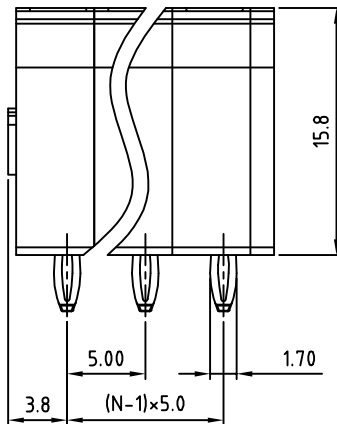
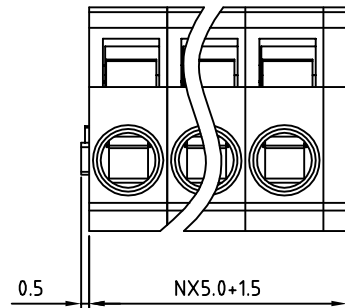
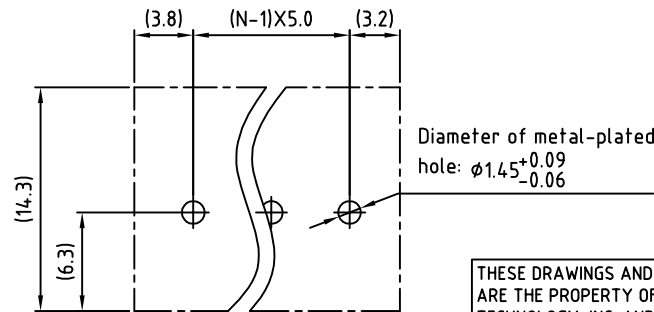
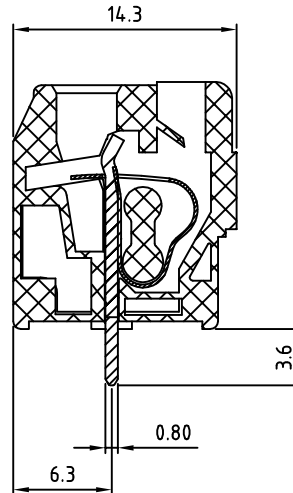


| | | | |
|------|------|-------------|----------|
| SIGN | DATE | DESCRIPTION | APPROVER |
| | | | |

THIS IS CAD DRAWING, DO NOT REVISE MANUALLY!!!



N=Number of contacts



P.C.B LAYOUT

THESE DRAWINGS AND SPECIFICATIONS ARE THE PROPERTY OF ON-SHORE TECHNOLOGY, INC. AND SHALL NOT BE REPRODUCED, COPIED OR USED IN ANY MANNER WITHOUT THE PRIOR WRITTEN CONSENT OF ON-SHORE TECHNOLOGY, INC.

Material

- Terminal body (Contact pin): Brass
- Wire guard: Stainless steel
- Surface of solder tail: Tin plated
- Insulator (housing): Thermoplastic (UL94V-0)

Electrical

- Voltage rating: 250VAC
- Current rating: 8A
- Wire range:
 - Solid wire(AWG): 12-28
 - Stranded wire(AWG): 12-28
- Wire strip length: 6-7mm
- Withstanding Voltage: 1.5KV
- Operating temperature: -30°C to +105°C
- Soldering temperature: 250°C±10°C/5 Sec
- Safety approval: us

RoHS Compliant

PART NUMBER:

OSTHMXX7081

No. of Poles
02: 2 Poles
:
24: 24 Poles

COLOR

- 0: Black
- 5: Green
- 6: Blue
- 8: Grey (Standard)



| | | | | | | | | | |
|-----------------------|--|----------------------|----------------------|----------------------|----------|--|-----------------|------------------------------|---|
| TITLE | | | | | | | | OSTHM 5.0mm Series Press fit | |
| PART NO. | | OSTHMXX7081 | | | DWG NO. | | OSTHMXX7081.DWG | | |
| APPROVED | | CHECKED | DESIGNED | DRAWN | CUST NO. | | Tolerance | | |
| Shi jun 2006.11.01 | | Marvin 2006.06.26 | Marvin 2006.06.26 | Marvin 2006.06.26 | | | | | X. ±0.50 X.X ±0.30 X.XX ±0.10 X° ±1° |
| | | SHEET: 01/01 | | REV: D | | | | | |