

PRODUCT NUMBER  
71959-YXXLF

WHEN REQUIRED, ADD SUFFIX LETTER "LF"  
INDICATES THE PRODUCT IS RoHS  
COMPATIBLE, SEE NOTE 7

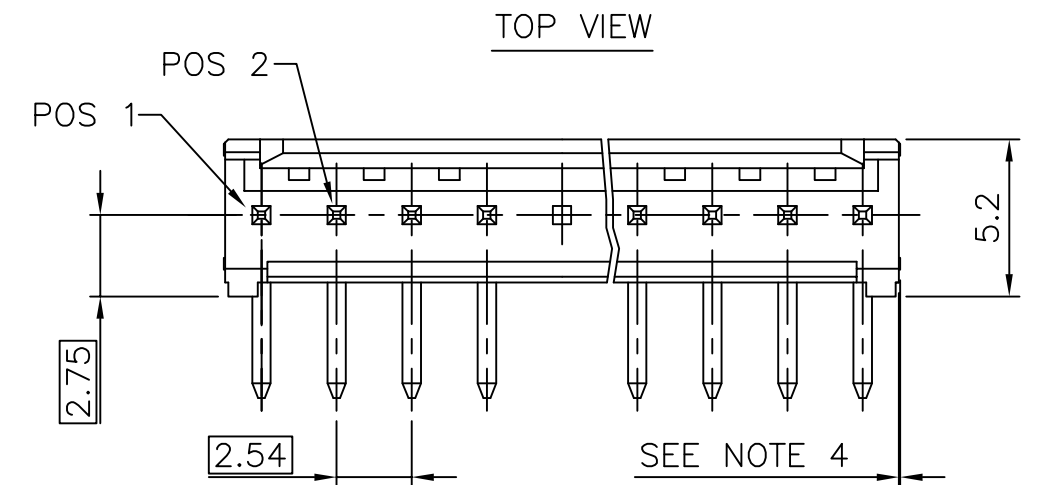
PLATING

3=0.76µm GOLD/GXT ON CONTACT AREA  
3.81µm TIN-LEAD ON TAIL

4=3.81µm TIN-LEAD ON CONTACT AREA  
AND ON TAIL

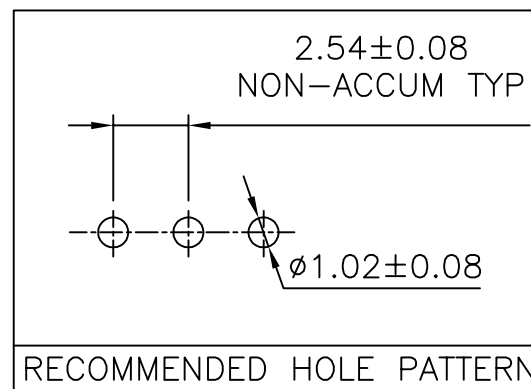
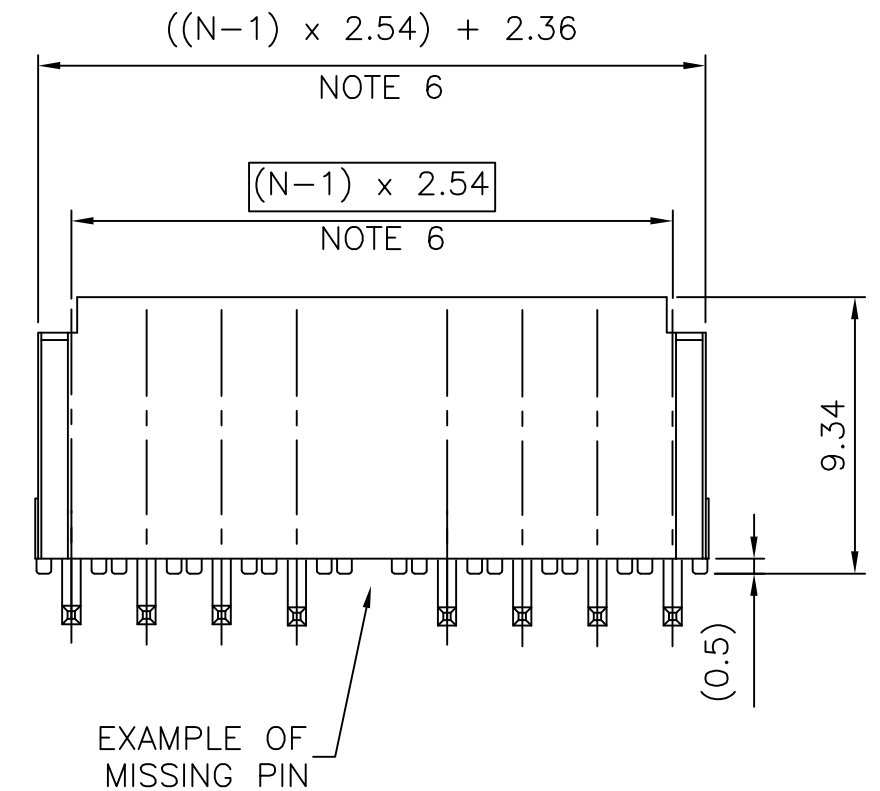
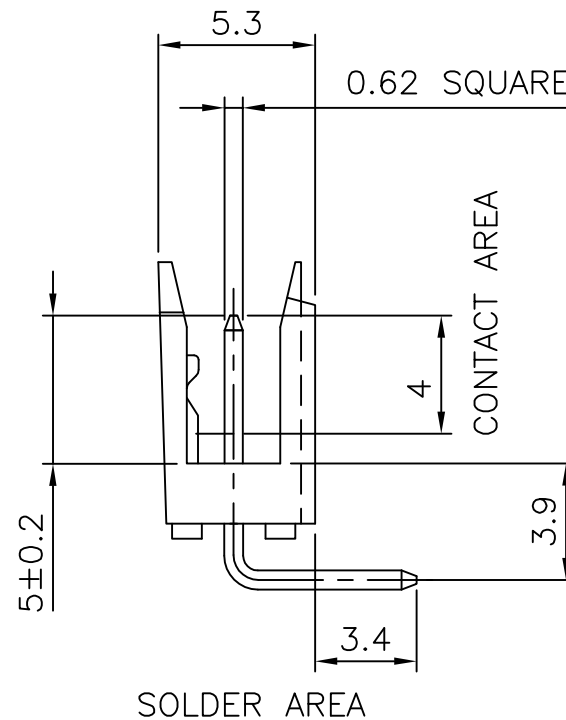
WHEN "LF" IS REQUIRED, 2µm MIN  
MATTE TIN OVER 1.27µm MIN NICKEL  
IS PROVIDED INSTEAD OF TIN-LEAD

| STYLE | SIZE | OMIT PIN POSITION FROM TOP VIEW |
|-------|------|---------------------------------|
| 01    | 1x03 | 1                               |
| 02    | 1x03 | 2                               |
| 03    | 1x03 | 3                               |
| 04    | 1x07 | 3;4;5                           |
| 05    | 1x04 | 2;3                             |
| 06    | 1x04 | 1;2;                            |
| 07    | 1x07 | 2;4;6                           |



NOTES:

- BODY MATERIAL: POLYESTER 30% GLASSFILLED COLOR BLUE, FLAME RETARDANT PER UL-94 V0.
- CONTACT MATERIAL: PHOSPHOR BRONZE.
- 15N MIN PIN RETENTION IN EITHER DIRECTION
- 0.6 MAX PROTRUSION PERMITTED AT 4 PLACES
- PACKAGING :  
- POLYBAGS FROM 02 TO 06 POSITIONS  
- TUBE FROM 07 TO 36 POSITIONS
- TO DETERMINE DIMENSIONS :  
N = NUMBER OF POSITIONS PER ROW  
EXAMPLE : 8 POS N x 2.54 = 20.32mm
- RoHS COMPATIBLE PRODUCT SPECIFICATIONS
  - PLATING:  
- "LF" MEANS THE PRODUCT IS LEAD-FREE, 2µm MINIMUM MATTE TIN OVER 1.27µm MINIMUM NICKEL UNDERPLATE.
  - MANUFACTURING PROCESS COMPATIBILITY  
- THE HOUSING WILL WITHSTAND EXPOSURE TO 245°C ±5°C SOLDER BATH TEMPERATURE FOR 5 SECONDS IN A WAVE SOLDER APPLICATION WITH A 1.6mm MIN THICK CIRCUIT BOARD.
  - LABELING:  
- MEETS PACKAGING SPECS AS PER GS-14-920
  - LEGAL STATEMENT: SEE GS-22-008



|                        |                |                       |                              |                                       |  |
|------------------------|----------------|-----------------------|------------------------------|---------------------------------------|--|
| mat'l. code<br>SEE P/N |                | surface<br>ISO 1302 ✓ | tolerance<br>ISO 406 ISO 101 | projection<br>mm                      | product family<br>DUBOX HDR                |
| ltr                    | ecn no         | dr                    | date                         | tolerances unless otherwise specified | title<br>DUBOX,SR,RA<br>SELECTIVELY LOADED |
| H                      | F08-0147       | YOV                   | 08.04.14                     | angles linear .X ±0.3                 | dwg no<br>71959                            |
| J                      | B-14263        | LMU                   | 13.03.14                     | .XX ±0.15                             |  |
| K                      | F-21810        | AMA                   | 15.06.19                     | .XXX ±0.05                            | sheet 1 of 1 size<br>A3                    |
| L                      | F-24817        | AMA                   | 16.08.26                     | dr COMPAGNON J 95.04.11               | type<br>CUSTOMER Drawing                   |
|                        |                |                       |                              | enr PHAMVAN JM 95.04.11               |  |
| F                      | F05-0244       | JCO                   | 05.09.06                     | chr JMC 95.04.11                      |  |
| G                      | F06-0228       | LMU                   | 06.07.11                     | app JMP 95.04.11                      |  |
| sheet index            | revision sheet |                       |                              |                                       |  |



Copyright FCI