

THIS DRAWING IS UNPUBLISHED.

RELEASED FOR PUBLICATION

20

© COPYRIGHT 20

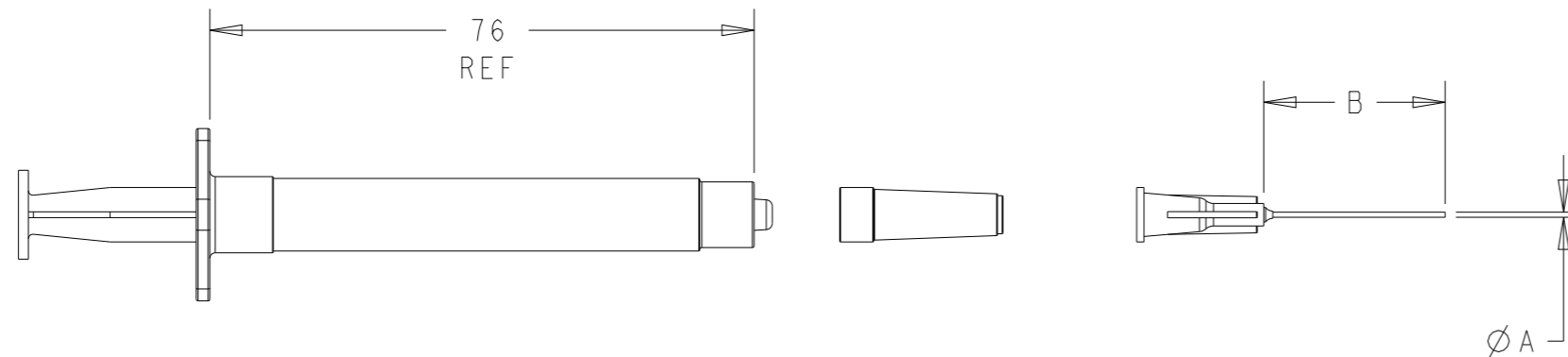
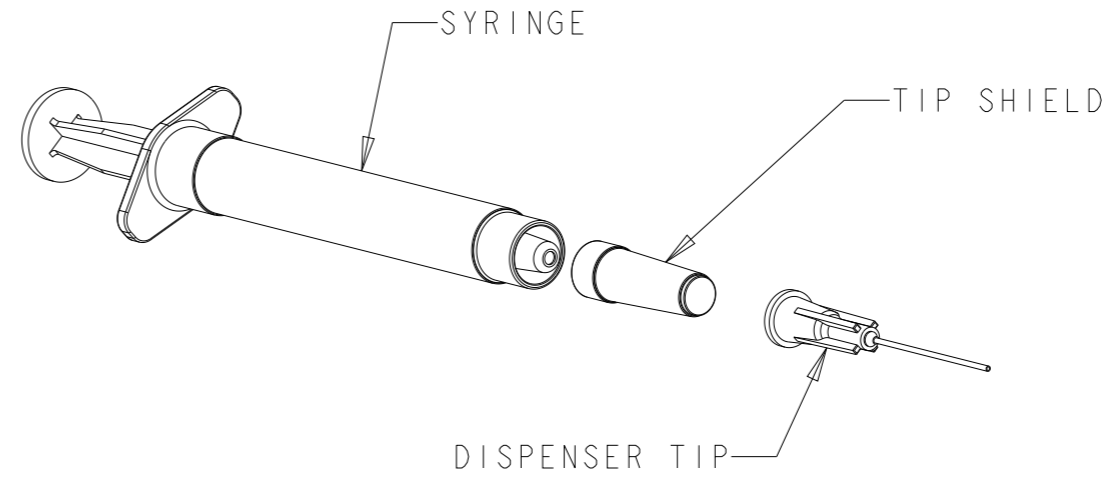
BY TYCO ELECTRONICS CORPORATION. ALL RIGHTS RESERVED.

LOC  
CE  
DIST  
00

REVISIONS

P	LTR	DESCRIPTION	DATE	DWN	APVD
	G	REVISE PER ECR-06-026109	14NOV2006	BB	DK
	H	REVISE PER ECR-07-029335	20DEC2007	BB	DK
	J	ECN-22-142603	09MAR2022	CG	JS

1. TIP MAY NOT APPEAR EXACTLY AS SHOWN.



**OBSOLETE**

38.1 REF	1.27 REF	501473-5
13 REF	1.27 REF	501473-4
25.4 REF	0.89 REF	501473-3
-	-	501473-2
-	-	501473-1
B	ØA	PART NUMBER

<small>THIS DRAWING IS A CONTROLLED DOCUMENT FOR TYCO ELECTRONICS CORPORATION. IT IS SUBJECT TO CHANGE AND THE CONTROLLING ENGINEERING ORGANIZATION SHOULD BE CONTACTED FOR THE LATEST REVISION.</small>		DWN T. ALEXANDER 24JUL2000		Tyco Electronics Harrisburg, PA 17105-3608	
DIMENSIONS: mm		TOLERANCES UNLESS OTHERWISE SPECIFIED: 0 PLC ±- 1 PLC ±1.3 2 PLC ±0.13 3 PLC ±- 4 PLC ±- ANGLES ±-		NAME EPOXY APPLICATOR KIT	
MATERIAL -		FINISH -		PRODUCT SPEC - APPLICATION SPEC - WEIGHT -	
		CUSTOMER DRAWING		SIZE A3 CAGE CODE 00779 DRAWING NO G-501473 RESTRICTED TO	
		SCALE		SHEET OF REV J	