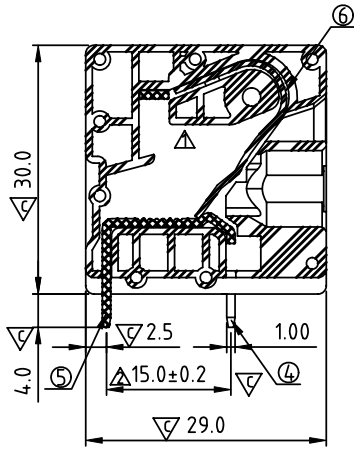
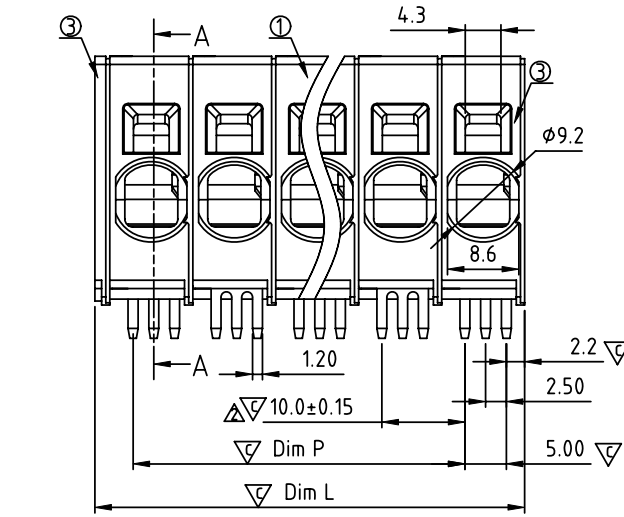


SIGN	DATE	DESCRIPTION	APPROVER
△	11/12'12	change the product number	Da cheng
△	11/09'13	change the electrical specification /// update the drawing	Da cheng
△	12/28'13	update the drawing	Da cheng

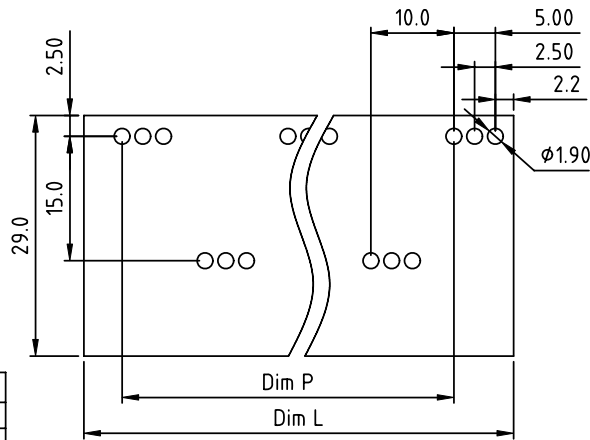
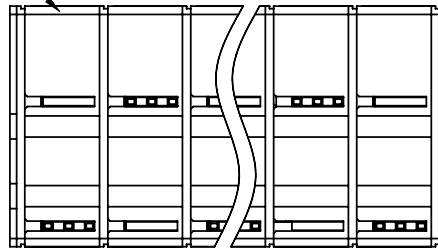
**THIS IS CAD DRAWING, DO NOT REVISE MANUALLY!!!**



SECTION A-A



First pole



PCB LAYOUT TOP VIEW

△ N=NUMBER OF POLES

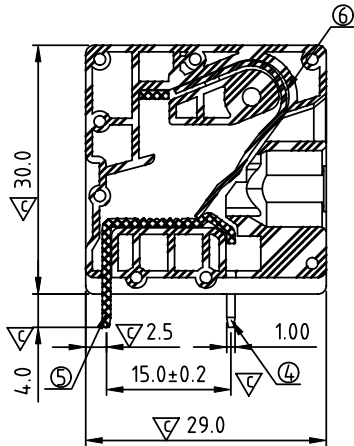
DIM	Tolerance		
	1P--5P	7P--9P	11P
Dim P (N-1)×10.0	±0.40	±0.50	±0.60
Dim L N×10.0+1.8	±0.40	±0.50	±0.60

- Material:**
- Item ① Terminal body: Thermoplastic (UL94V-0)
  - Item ② Terminal side body: Thermoplastic (UL94V-0)
  - Item ③ Terminal cover: Thermoplastic (UL94V-0)
  - Item ④ Solder pin(front) : Copper, Tin Plated.
  - Item ⑤ Solder pin(back) : Copper, Tin Plated.
  - Item ⑥ Spring clamp : Stainless steel
- △ Electrical: cULus
- Voltage rating: 600 V
  - Current rating(SOL): 30 A
  - Current rating(STR): 40 A
  - Wire range:
  - Solid wire(AWG): 8-20
  - Stranded wire(AWG): 4-20
  - Wire strip length: 18-19mm
  - Withstanding Voltage: 2.2KV
  - Operating temperature: -40°C to +115°C
  - Soldering temperature: 260°C ±5°C/5 Sec
  - Safety Approval:
  - Critical dimension:

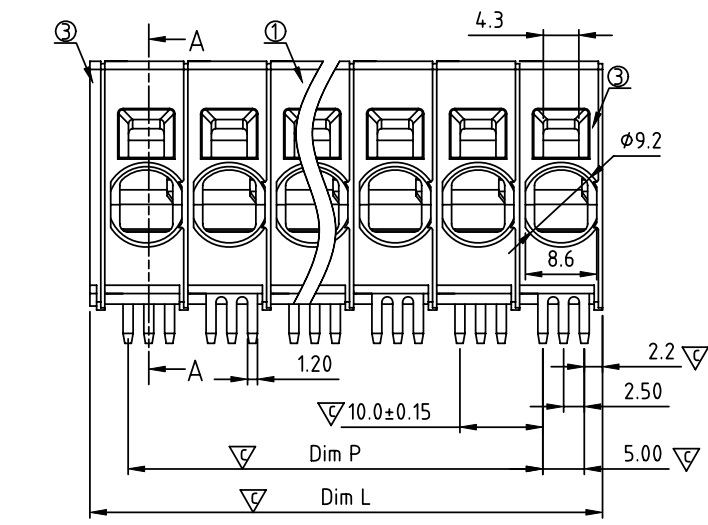
△ NP xx 1 1 x 2 xxxx G

- △△ No. OF POLES
  - 01: 1POLES
  - 03: 3 POLES
  - ...
  - 11: 11 POLES
- △ Body Color
  - 0 Black (RAL9005)
  - 2 Red (RAL3001/D)
  - 3 Orange(RAL2011/P)
  - 4 Yellow(RAL1018/A)
  - 5 Green(RAL6018/T)
  - 6 Blue (RAL5015/A)
  - 8 Grey(RAL7004/P)
  - 9 White(RAL1102)
  - C Multiple colors
- RoHS compliant (lead<4%)  
In copper Alloy
- 0000: "@" Logo (Standard)
- 000A: "ANYTEK" Mark
- Any special item by customer request. please contact sales department.

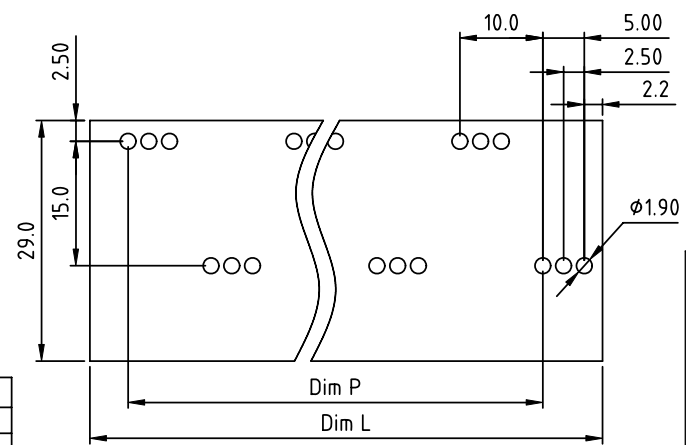
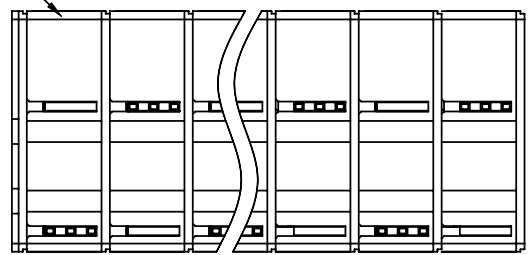
<b>ANYTEK</b>		<b>CUSTOMER COPY</b>			
TITLE	NP 10.0mm Series horizontal (C type 后脚排插) 单数P				
PART NO.	NPxx11x2xxxxG △	DWG NO.	8NP0002		
APPROVED	CHECKED	DESIGNED	DRAWN	CUST NO.	Tolerance
		Da cheng 2013.12.28	Da cheng 2013.12.28		X. ±0.50 X.X ±0.30 X.XX ±0.10 X° ±1°
SHEET: 01/01				UNIT: mm SCALE: NONE REV.: D	



SECTION A-A



First pole



PCB LAYOUT  
TOP VIEW

N=NUMBER OF POLES

DIM	Tolerance		
	2P--4P	6P--8P	10P-12P
Dim P (N-1)×10.0	±0.40	±0.50	±0.60
Dim L N×10.0+1.8	±0.40	±0.50	±0.60

SIGN	DATE	DESCRIPTION	APPROVER
△			
△			
△			

**THIS IS CAD DRAWING, DO NOT REVISE MANUALLY!!!**

Material:

- Item ① Terminal body: Thermoplastic (UL94V-0)
- Item ② Terminal side body: Thermoplastic (UL94V-0)
- Item ③ Terminal cover: Thermoplastic (UL94V-0)
- Item ④ Solder pin(front) : Copper, Tin Plated.
- Item ⑤ Solder pin(back) : Copper, Tin Plated.
- Item ⑥ Spring clamp : Stainless steel

Electrical:

- Voltage rating: 600 V
- Current rating(SOL): 30 A
- Current rating(STR): 40 A
- Wire range:
- Solid wire(AWG): 8-20
- Stranded wire(AWG): 4-20
- Wire strip length: 18-19mm
- Withstanding Voltage: 2.2KV
- Operating temperature: -40°C to +115°C
- Soldering temperature: 260°C ±5°C/5 Sec
- Safety Approval:
- Critical dimension:

NP xx 1 1 x 2 xxxx G

- No. OF POLES
- 02: 2 POLES
- 04: 4 POLES
- :
- 12: 12 POLES

- Body Color
- 0 Black (RAL9005)
- 2 Red (RAL3001/D)
- 3 Orange(RAL2011/P)
- 4 Yellow(RAL1018/A)
- 5 Green(RAL6018/T)
- 6 Blue (RAL5015/A)
- 8 Grey(RAL7004/P)
- 9 White(RAL1102)
- C Multiple colors

RoHS compliant  
(lead<4%)  
In copper Alloy

0000: "@" Logo (Standard)  
000A: "ANYTEK" Mark  
Any special item by customer request.  
please contact sales department.

# ANYTEK

## CUSTOMER COPY

ALL RIGHTS RESERVED. REPRODUCTION OR ISSUE TO THRD PARTIES IN ANY FORM WHATEVER IS NOT PERMITTED WITHOUT WRITTEN AUTHORITY FROM THE PROPRIETOR. PROPERTY OF ANYTEK TECHNOLOGY CO., LTD

TITLE	NP 10.0mm Series horizontal (C type 后脚端子) 变数P			DWG NO.	8NP0007
PART NO.	NPxx11x2xxxxG			CUST NO.	
APPROVED	CHECKED	DESIGNED	DRAWN	Tolerance	
		Da cheng 2013.12.28	Da cheng 2013.12.28	UNIT: mm	X. ±0.50
				SCALE: NONE	X.X ±0.30
				REV.: B	X.XX ±0.10
				SHEET: 01/01	X° ±1°