

MATERIALS & SPECIFICATIONS

| | | | | | |
|----------|------------|-----|-------|----------|-----|
| PART NO. | A22038-001 | REV | ECO | DATE | APP |
| | | B | 96708 | 05-06-10 | TLM |

INSULATOR:

LIQUID CRYSTAL POLYMER (LCP) PER ASTM D5138.

CONTACT:

BERYLLIUM COPPER PER ASTM B194, C17200.
GOLD PLATED PER ASTM B488, (HARD GOLD) TYPE II CODE C CLASS 1.27.

TERMINATION:

COPPER ALLOY PER MIL-DTL-83513 MATT SOLDER
PLATE .0001-.0002 THICK PER AMS-P-81728
AND/OR GOLD PLATED PER ASTM B488, (HARD GOLD) TYPE II CODE C CLASS 1.27.

LATCH SPRING:

BERYLLIUM COPPER PER ASTM B194 NICKEL
PLATE PER AMS-C-26074.

CURRENT CAPACITY:

3 AMP MAX.

CONTACT RESISTANCE:

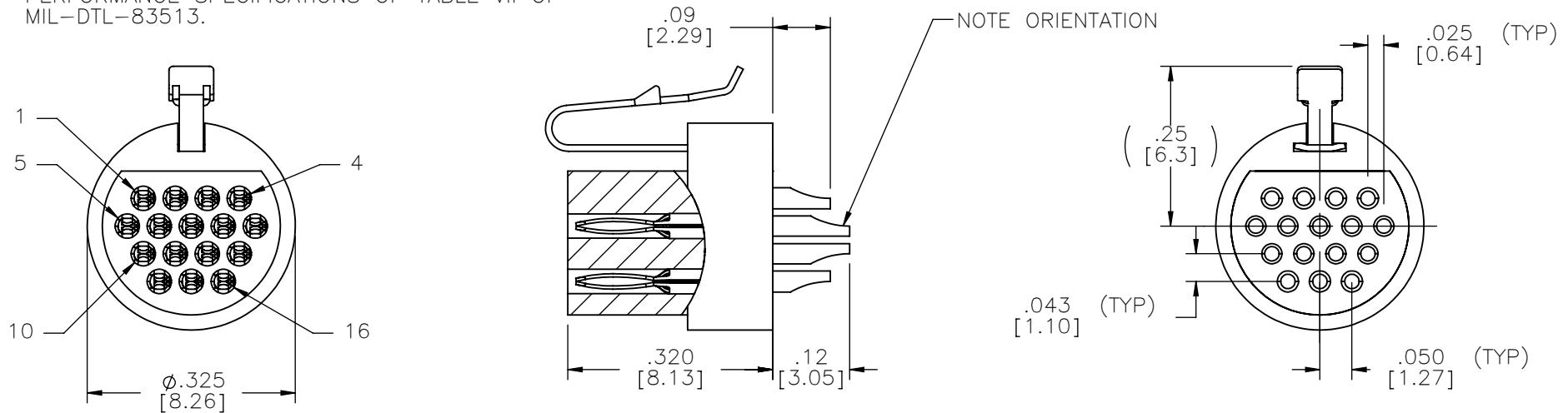
26 MILLIOHMS (65mV) MAX @ 2.5 AMPS.

PERFORMANCE:

PRODUCT FAMILY TESTED TO AND PASSED THE PERFORMANCE SPECIFICATIONS OF TABLE VII OF MIL-DTL-83513.



ACTUAL SIZE



REF: OMNETICS

| | |
|-------------|--|
| MCP SLDW | THIRD ANGLE |
| | -TOLERANCES- |
| | UNLESS OTHERWISE NOTED DIMENSIONS IN INCHES |
| | 2 PL DEC ± .01 3 PL DEC ± .005 4 PL DEC ± .0005 ANGLES ± 1° |

THIS DRAWING CONTAINS CONFIDENTIAL AND PROPRIETARY INFORMATION WHICH IS THE PROPERTY OF OMNETICS CONNECTOR CORP. THIS DOCUMENT MAY NOT, IN WHOLE OR IN PART, BE DUPLICATED, OR DISCLOSED FOR ANY PURPOSE, WITHOUT WRITTEN PERMISSION FROM OMNETICS CONNECTOR CORP.

| | |
|-----------|----------|
| DFTM. TLM | DATE |
| CHK'D. | 04-11-08 |
| APP'D. | DATE |

TITLE:
**(16) PIN MALE
MICRO CIRCULAR
CONNECTOR W/ LATCH**

OMNETICS
CONNECTOR CORPORATION
7260 COMMERCE CIRCLE EAST
MINNEAPOLIS, MN 55432
WWW.OMNETICS.COM

| |
|---------------------------|
| CAGE CODE 61873 |
| DWG NO. A22038-001 |
| SHEET 1 OF 1 |
| SCALE: 4:1 |
| REV B |