

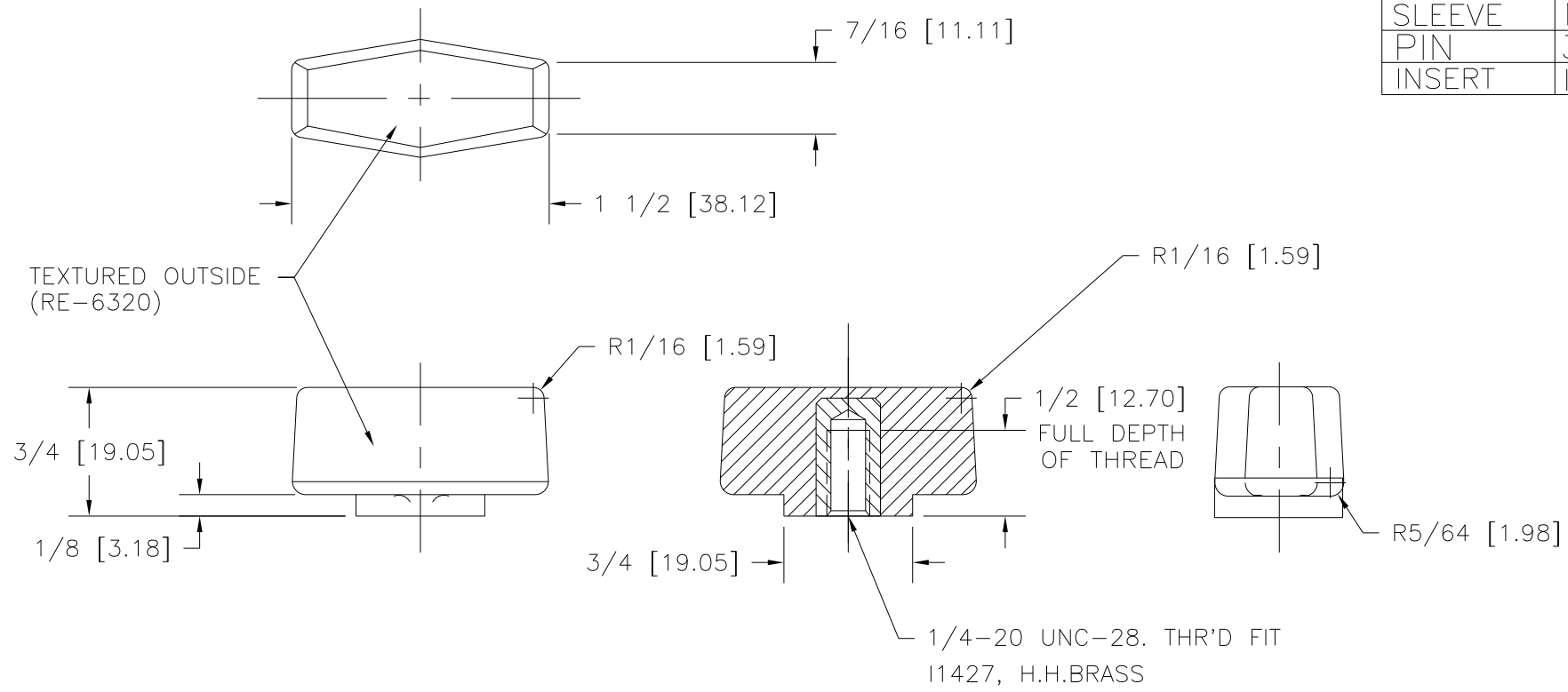
PART NAME: KNOB      SCALE: 1:1      DATE: 2/15/94      DR. BY H.S.

THIS DRAWING IS THE PROPERTY OF DAVIES MOLDING COMPANY, IS SUBMITTED SOLELY AS A DESIGN OR ENGINEERING PROJECT. WE ACCEPT NO RESPONSIBILITY WHATSOEVER FOR THE PRACTICAL APPLICATION OF THE PIECES MADE TO THIS DESIGN.



DESIGNERS & MANUFACTURERS OF KNOBS, HANDLES, CASES & CUSTOM PLASTIC COMPONENTS

P/N 3091	
M NO. 102-FRAME	
CAVITY	3091
CORE	3091
SLEEVE	M-3091
PIN	3091
INSERT	I1427



MATERIAL: POLYPROPYLENE (CLD) (A)  
 COLOR: BLACK

TOLERANCES: UNLESS OTHERWISE SPECIFIED	DO NOT SCALE DRAWING			
DECIMALS: X.XXX ± .005 X.XX ± .015	MM: X.XX ± 0.15MM X.X ± 0.4MM	A	ADDED MAT. CODE	DS 1/26/07
FRACTIONS ± 1/64	ANG. ± 1°	CHANGES		