

2270 SERIES REED RELAYS FOR -40°C TO 125°C

Wide Operating Range
-40°C to +125°C



2270 Series Reed Relays

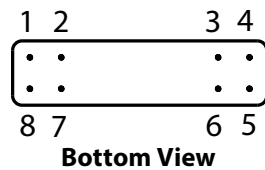
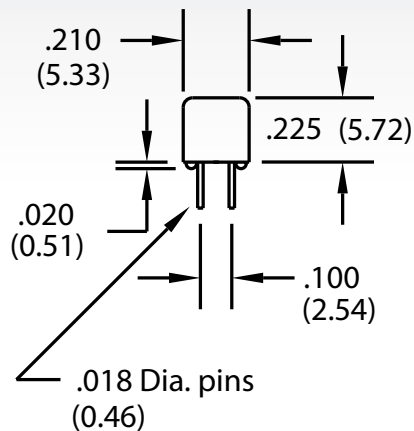
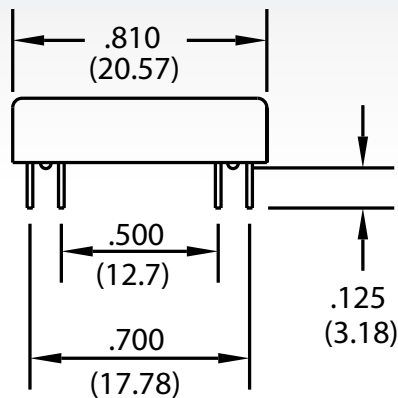
Ideally suited to the needs of Automated Test Equipment and Instrumentation requiring -40°C to +125°C operation. If your requirements differ, please consult your local representative or Coto's Factory.

2270 Series Features

- ▶ Very small footprint (0.17 in²), high reliability reed relays
- ▶ High Insulation Resistance - 10¹² Ω available with model 2274
- ▶ Long Life/High Reliability
- ▶ Hermetically sealed contacts for long life
- ▶ Epoxy coated steel shell provides magnetic shielding
- ▶ Wide operating temperature range -40°C to +125°C
- ▶ Specifically engineered for OEM designs and maintenance of existing production fixtures
- ▶ RoHS compliant

DIMENSIONS

in Inches (Millimeters)

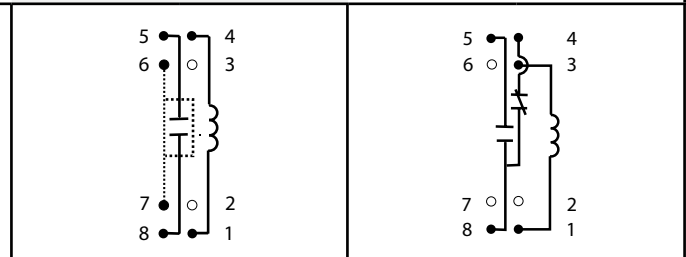


Ordering Information

| Part Number | XXXX-XX-0X1 | |
|---------------------|---------------------|--------------------------------------|
| Model Number | | Shielding Options² |
| 2274 (Form 1A) | Coil Voltage | 0=No Shielding (2271 only) |
| 2271 (Form 1C) | | 2=Coaxial Shield (2274 only) |
| | | |
| | 05=5 volts | |
| | 12=12 volts | |

| MODEL NUMBER | | | 2274 | 2271 |
|---|--|------------------------|------------------|------------------|
| Parameters | Test Conditions | Units | 1 Form A | 1 Form C |
| COIL SPECS. | | | | |
| Nom. Coil Voltage | | VDC | 5 12 | 5 12 |
| Coil Resistance | +/- 10%, 25° C | Ω | 100 550 | 100 550 |
| Operate Voltage | Must Operate by | VDC - Max. | 2.5 6.7 | 2.5 6.7 |
| Release Voltage | Must Release by | VDC - Min. | 0.4 1.0 | 0.4 1.0 |
| CONTACT RATINGS | | | | |
| Switching Voltage | Max DC/Peak AC Resist. | Volts | 200 | 100 |
| Switching Current | Max DC/Peak AC Resist. | Amps | 0.5 | 0.25 |
| Carry Current | Max DC/Peak AC Resist. | Amps | 1.0 | 0.5 |
| Contact Rating | Max DC/Peak AC Resist. | Watts | 10 | 3 |
| Life Expectancy-Typical ¹ | Signal Level 1.0V, 10mA | x 10 ⁶ Ops. | 500 | 100 |
| Rated Loads | | x 10 ⁶ Ops. | 5 | 5 |
| Static Contact Resistance (max. init.) | 50mV, 10mA | Ω | 0.100 | 0.150 |
| Dynamic Contact Resistance (max. init.) | 0.5V, 50mA at 100 Hz, 1.5 msec | Ω | 0.200 | 0.200 |
| RELAY SPECIFICATIONS | | | | |
| Insulation Resistance (minimum) | Between all Isolated Pins at 100V, 25°C, 40% RH | Ω | 10 ¹² | 10 ¹¹ |
| Capacitance - Typical Across Open Contacts | Shield Floating | pF | 0.9 | 0.9 |
| | Shield Guarding | pF | 0.2 | N/A |
| Dielectric Strength (minimum) | Between Contacts | VDC/peak AC | 250 | 200 |
| | Contacts to Shield | VDC/peak AC | 250 | N/A |
| | Contacts/Shield to Coil | VDC/peak AC | 1500 | 1500 |
| Operate Time - including bounce | At Nominal Coil Voltage, 30 Hz Square Wave | msec. | 0.5 (typ.) | 1.0 (typ.) |
| Release Time - Typical | | msec. | 0.1 | 2.0 |

Top View:
Dot stamped on top of relay refers to pin #1 location
Grid = .1"x.1" (2.54mm x 2.54mm)



Notes:

¹ Consult factory for life expectancy at other switching loads.

² Model 2274, pins #6 & #7 are tied to coaxial shield.

Environmental Ratings:

Storage Temp: -40°C to +125°C; Operating Temp: -40°C to +125°C; Solder Temp: 270°C max; 10 sec. max

All electrical parameters measured at 25°C unless otherwise specified.

Vibration: 20 G's to 2000 Hz; Shock: 50 G's

06262014