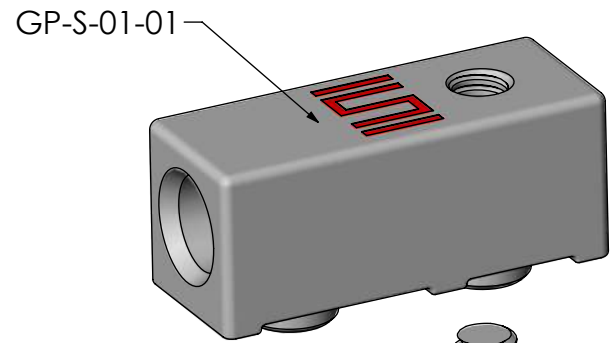


DO NOT SCALE FROM THIS PRINT



DESIGNED & DIMENSIONED IN INCHES[MILLIMETERS]

GPSK-XX-XX-X

SOCKET

LEAD STYLE  
-01: 4 THRU 10 ROW SEAF-RA  
-02: 4 THRU 10 ROW SEAF-RA

SCREW OPTION (-02 LEAD STYLE ONLY) (SEE NOTE 2)  
-1: USE WITH .062 THICK PCB  
-2: USE WITH .093 & .125 THICK PCB

THREADING  
-01: M3 x 0.5

GPSK-01-01 SHOWN

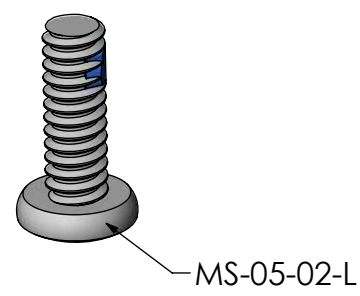


TABLE 1

	"A"	"B"
MS-03-02-L	.193	.118
MS-04-02-L	.232	.157
MS-05-02-L	.389	.315

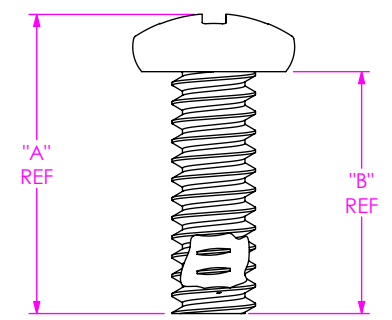


FIG 1  
MS-XX-02-L

TABLE 2

	"C"	"D"
GP-S-01-01	0.75	.375
GP-S-02-01	1.20	.800

GP-S-02-01

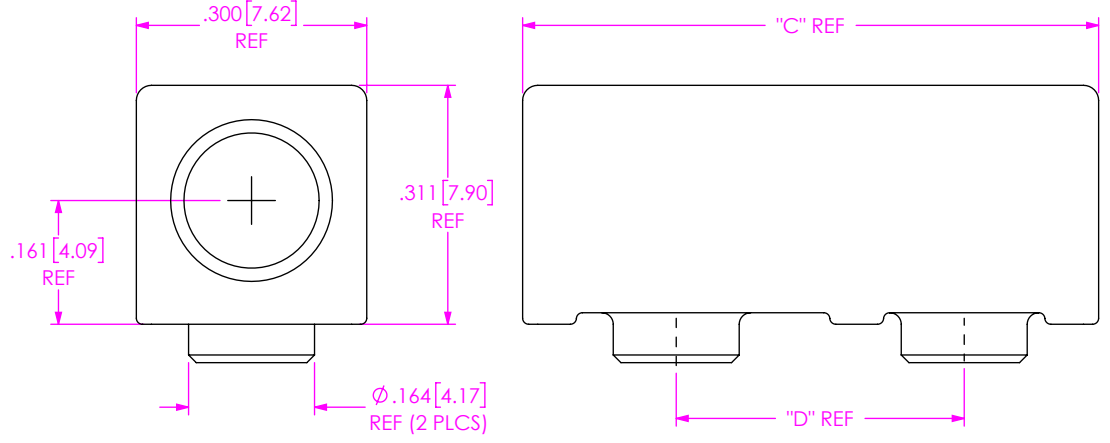
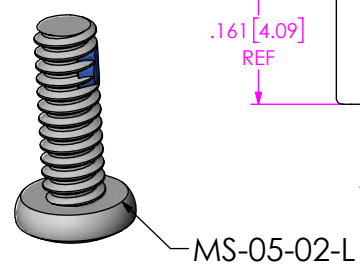
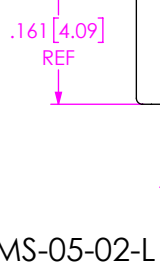
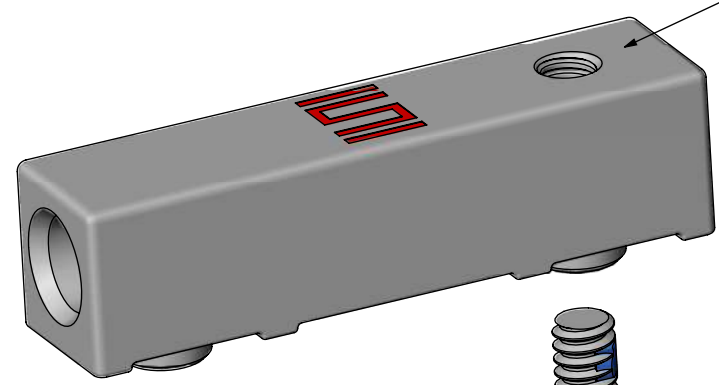


FIG 2  
GP-S-XX-01

GPSK-02-01-X SHOWN

NOTES:

1. PARTS TO BE PACKAGED IN ZBAG-03.00-04-2.0 BAGS AS A KIT.
2. GPSK-01-01 KIT TO INCLUDE ONE GPSK-S-01-01 AND ONE MS-05-02-L.  
GPSK-02-01-1 KIT TO INCLUDE ONE GP-S-02-01, ONE MS-05-02-L AND ONE MS-03-02-L.  
GPSK-02-01-2 KIT TO INCLUDE ONE GP-S-02-01, ONE MS-05-02-L AND ONE MS-04-02-L.
3. PARTS TO BE USED WITH PCB THICKNESSES OF .062 TO .125.

UNLESS OTHERWISE SPECIFIED, DIMENSIONS ARE IN INCHES. TOLERANCES ARE:  
DECIMALS ANGLES  
.XX: ±.01 [.3] 2°  
.XXX: ±.005 [.13]  
.XXXX: ±.0020 [.051]

PROPRIETARY NOTE  
THIS DOCUMENT CONTAINS CONFIDENTIAL AND PROPRIETARY INFORMATION AND ALL DESIGN, MANUFACTURING, REPRODUCTION, USE, PATENT RIGHTS AND SALES RIGHTS ARE EXPRESSLY RESERVED BY SAMTEC, INC. THIS DOCUMENT SHALL NOT BE DISCLOSED, IN WHOLE OR PART, TO ANY UNAUTHORIZED PERSON OR ENTITY NOR REPRODUCED, TRANSFERRED OR INCORPORATED IN ANY OTHER PROJECT IN ANY MANNER WITHOUT THE EXPRESS WRITTEN CONSENT OF SAMTEC, INC.

**samtec**  
520 PARK EAST BLVD, NEW ALBANY, IN 47150  
PHONE: 812-944-6733 FAX: 812-948-5047  
e-Mail info@SAMTEC.com code 55322

MATERIAL: DO NOT SCALE DRAWING SHEET SCALE: 3:1  
SOCKET: ZAMAK 3  
SCREW: 303 STAINLESS STEEL

DESCRIPTION: SEAF - RA GPK OPTION KIT

DWG. NO. GPSK-XX-XX-X

BY: VICKY Z 12/23/2010 SHEET 1 OF 1