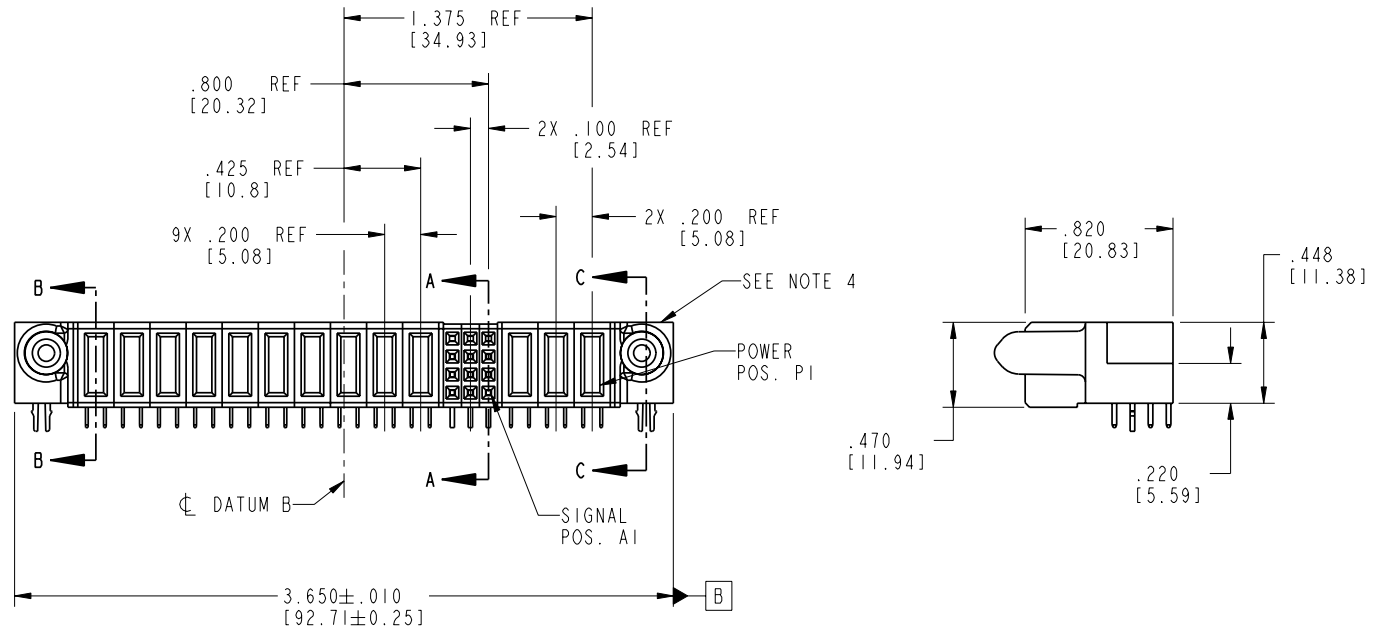
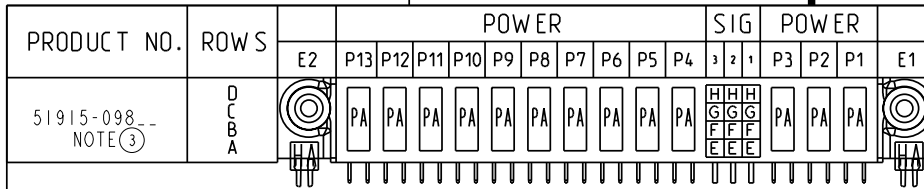


Tous droits strictement réservés. Reproduction ou communication o des tiers interdite sous quelque forme que ce soit sans autorisation écrite du propriétaire. Propriété de c FCI. Droits de reproduction FCI.

All rights strictly reserved. Reproduction or issue to third parties in any form without written authority from the proprietor. Property of FCI. Copyright FCI.



CODE	DIM "M" MATING LENGTH	CONTACT TYPE
PA	.042 [1.07]	POWER
H	N/A [N/A]	SIGNAL
G	N/A [N/A]	SIGNAL
F	N/A [N/A]	SIGNAL
E	N/A [N/A]	SIGNAL
HA	N/A [N/A]	HOLD-DOWN

mat'l code				tolerances unless otherwise specified		CUSTOMER	
SEE NOTE 2						COPY	
lir	ecn no.	dr	date	linear		projection	
A	DG06-0128	RYAN	03/24/06	.XX±.01/0.X±0.3			
				.XXX±.005/0.XX±0.13			
				.XXX±.002/0.XXX±0.051			
				angles	0° ± 2°		
		dr	RYAN YUAN	engr	SALLY LUO	scale	1:1
		chr	BEER FU	appd	JOSEPH HSIA		
		appd	JOSEPH HSIA				
sheet index	revision	A	A	A	A		
	sheet	1	2	3	4		

FCI		www.fciconnect.com	
title		3P + 12S + 10P	
R/A STB RECEPTACLE		product family PwrBlade	
code	213	size	dwg no
	sheet 1 of 4	A	51915-098

cage code 22526

Pro/E

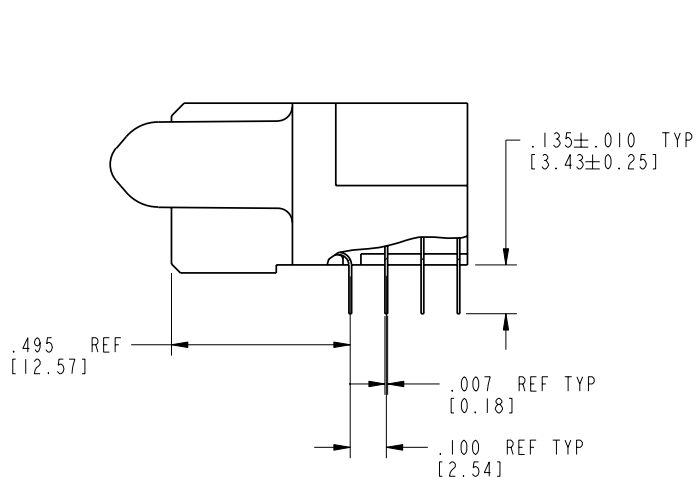
Tous droits strictement réservés. Reproduction ou communication à des tiers interdite sous quelque forme que ce soit sans autorisation écrite du propriétaire. Propriété de c FCI. Droits de reproduction FCI.

A FCI

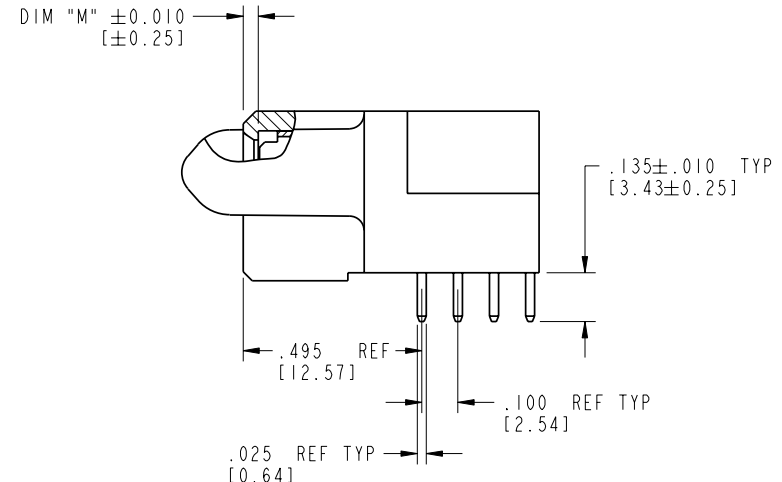
All rights strictly reserved. Reproduction or issue to third parties in any form whatsoever is not permitted without written authority from the proprietor. Property of FCI. Copyright FCI.

B

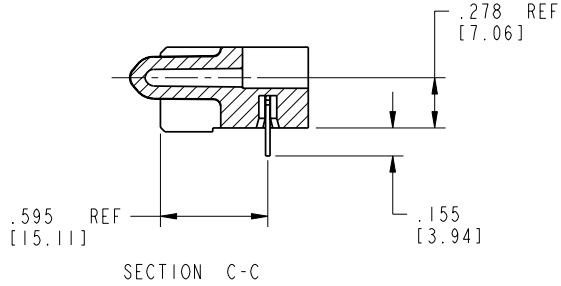
PRODUCT NUMBER
51915-098--
NOTE ③



BROKEN-OUT SECTION A-A
SCALE 2:1



BROKEN-OUT SECTION B-B
SCALE 2:1



SECTION C-C

mat'l code				SEE NOTE 2	tolerances unless otherwise specified		CUSTOMER		A FCI www.fciconnect.com
lfr	ecn no.	dr	date	linear	.XX±.01/0.X±0.3	COPY		projection	
A				angles	.XXX±.005/0.XX±0.13	INCH/MM		title	
				dr	.XXX±.002/0.XXX±0.051	scale		3P + 12S + 10P R/A STB RECEPTACLE	
				enrg	0° ± 2°	1:1		product family	
				chr	RYAN YUAN 03/23/06			PwrBlade	
				appd	SALLY LUO 03/23/06			code	
					BEER FU 03/23/06			213	
					JOSEPH HSIA 03/23/06			sheet	
sheet index	revision sheet							2 of 4	

B

1 | 2

Pro/E

3 |

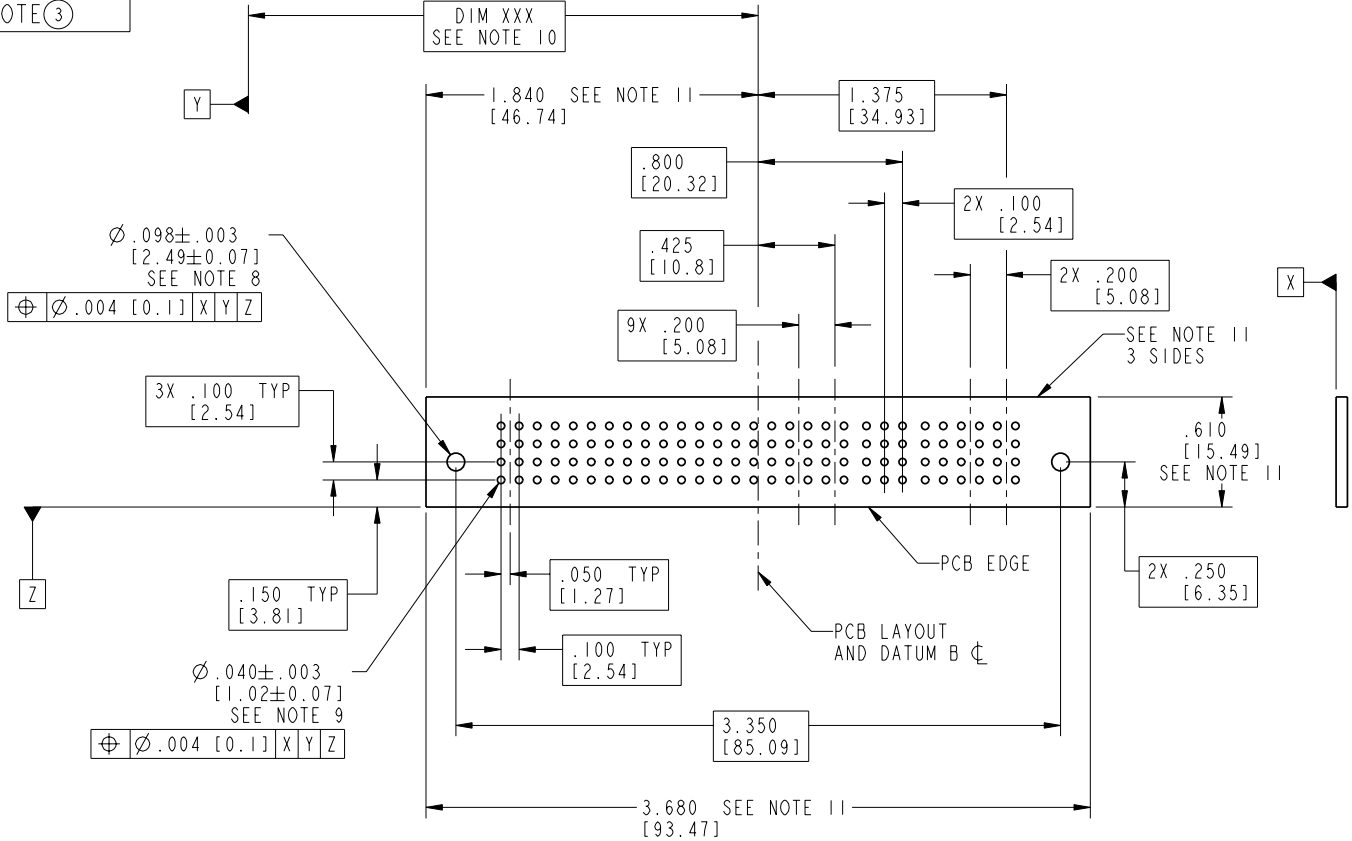
cage code 22526

4

Tous droits strictement réservés. Reproduction ou communication à des tiers interdite sans quelque forme que ce soit sans autorisation écrite du propriétaire. Propriété de c FCI. Droits de reproduction FCI.

All rights strictly reserved. Reproduction or issue to third parties in any form whatsoever is not permitted without written authority from the proprietor. Property of FCI. Copyright FCI.

PRODUCT NUMBER
51915-098--
NOTE ③



mat'l code		SEE NOTE 2		tolerances unless otherwise specified		CUSTOMER		 www.fciconnect.com	
lfr	ecn no.	dr	date	linear	.XX±.01/0.X±0.3	COPY			
A				projection	.XXX±.005/0.XX±0.13			title	
				angles	.XXX±.002/0.XXX±0.051	INCH/MM		3P + 12S + 10P	
				dr	0°±2°	scale		R/A STB RECEPTACLE	
				engr	RYAN YUAN 03/23/06	1:1		product family	
				chr	SALLY LUO 03/23/06			PwrBlade	
				appd	BEER FU 03/23/06			code	
					JOSEPH HSIA 03/23/06			213	
sheet index		revision sheet						size	
								dwg no	
								51915-098	
								sheet	
								3 of 4	

cage code 22526

Tous droits strictement reserves. Reproduction ou communication a des tiers interdite sous quelque forme que ce soit sans autorisation écrite du propriétaire. Propriete de c FCI. Droits de reproduction FCI.



All rights strictly reserved. Reproduction or issue to third parties in any form whatever is not permitted without written authority from the proprietor. Property of FCI. Copyright FCI.

PRODUCT NUMBER
51915-098--
NOTE ③

NOTES:

1. DIMENSIONS AND TOLERANCES ARE IN ACCORDANCE WITH ASME Y14.5M, 1994 UNLESS OTHERWISE SPECIFIED.

CONNECTOR NOTES:

- ② HOUSING MATERIAL: UL 94 V-0 GLASS FILLED HIGH-TEMP THERMOPLASTIC
POWER CONTACT MATERIAL: COPPER ALLOY
SIGNAL PIN MATERIAL: COPPER ALLOY
- ③ PLATING:
SEE PRINT 10064183 FOR PLATING SPEC OF 51915-098; 51915-098LF
- ④ MANUFACTURER'S NAME, P/N, AND DATE CODE TO APPEAR ON THIS SURFACE.
- 5. PRODUCT SPECIFICATION GS-12-149.
APPLICATION SPECIFICATION BUS-20-067.

6. PACKAGED IN TRAYS.

PCB NOTES:

- 7. ALL HOLE DIAMETERS ARE FINISHED HOLE SIZE.
- ⑧ MOUNTING HOLES, WHERE APPLICABLE, ARE UNPLATED.
- ⑨ $\varnothing .0453 \pm .0010$ [1.151 \pm 0.025] DRILLED HOLES PLATED WITH
.0003 [0.008] MIN SnPb OVER .001 [0.03]
TO .003 [0.08] Cu PLATING TO ACHIEVE
 $\varnothing .040 \pm .003$ [1.02 \pm .07] HOLE.
- ⑩ "DIM XXX" TO BE DETERMINED BY THE CUSTOMER.
- ⑪ CONNECTOR KEEP-OUT ZONE.

mat'l code				SEE NOTE 2		tolerances unless otherwise specified		CUSTOMER		 www.fciconnect.com	
lfr	ecr no.	dr	date	linear	.XX±.01/0.X±0.3		COPY		projection	title	
A					.XXX±.005/0.XX±0.13					3P + 12S + 10P R/A STB RECEPTACLE	
				angles	.XXX±.0020/0.XXX±0.051		INCH/MM			product family	code
				dr	0° ± 2°		1:1			PwrBlade	213
				enrg	RYAN YUAN	03/23/06	size		dwg no	sheet	
				chr	SALLY LUO	03/23/06	A		51915-098	4 of 4	
				appd	BEER FU	03/23/06					
					JOSEPH HSIA	03/23/06					
sheet index		revision sheet									

cage code 22526

Pro/E