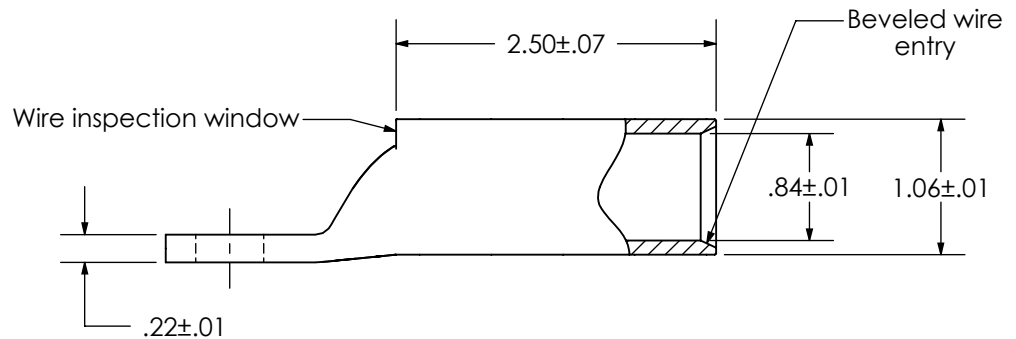
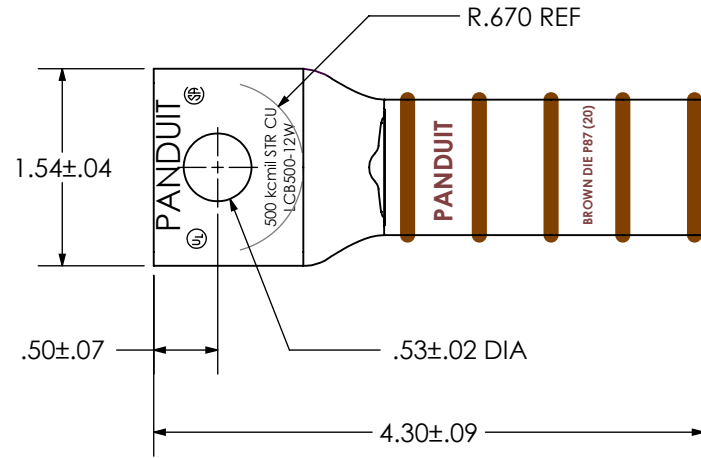


THIS COPY IS PROVIDED ON A RESTRICTED BASIS AND IS NOT TO BE USED IN ANY WAY DETRIMENTAL TO THE INTERESTS OF PANDUIT CORP.

Material	High Conductivity Seamless Copper Tube
Plating	Electro-Tin
Wire Size	500 kcmil
Wire Type	Stranded Copper; Class B: Compact, Compressed or Concentric, Class C: Concentric
Wire Strip Length	2-9/16 in.
Stud Size	1/2 in.
UL Listed Wire Connector	Yes, for applications up to 35kv. Consult cable manufacturer for voltage stress relief instructions with applications greater than 2000 volts.
UL Temperature Rating	90° C
C.S.A Certified Wire Connector	Yes
Panduit Color Code on Barrel	BROWN
Panduit Die Index No. on Barrel	P87
Alternate Industry Die Index No. () on Barrel	(20)



02	12/17	JHNU	JHNU	REVISED WIRE STRIP LENGTH: 2-9/16 WAS 2-5/8	00127LBS-LCB500-12W-CUST
01	11/16	JHNU	JHNU	REVISED HOLE OFFSET & BARREL LENGTH TOLERANCE: $\pm .07$ WAS $\pm .04$ REVISED OVERALL LENGTH TOLERANCE: $\pm .09$ WAS $\pm .06$ REVISED WIRE STRIP LENGTH: 2-5/8 WAS 2-9/16	00127LBS-LCB500-12W-CUST
00	5/16	JHNU	JHNU	DRAWING RELEASED	
REV	DATE	BY	CHK	DESCRIPTION	ECN

PANDUIT CORP. TINLEY PARK, ILLINOIS

LCB500-12W-6
Copper Lug - One-Hole, Long Barrel with Window

SCALE N/A DRAWING NO / CAD FILE LCB500-12W-6