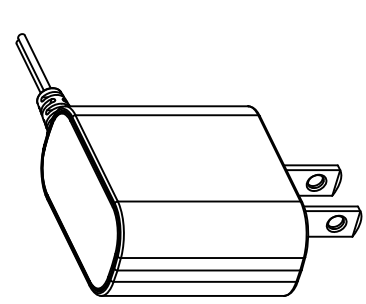
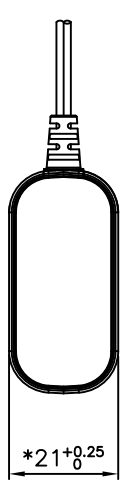
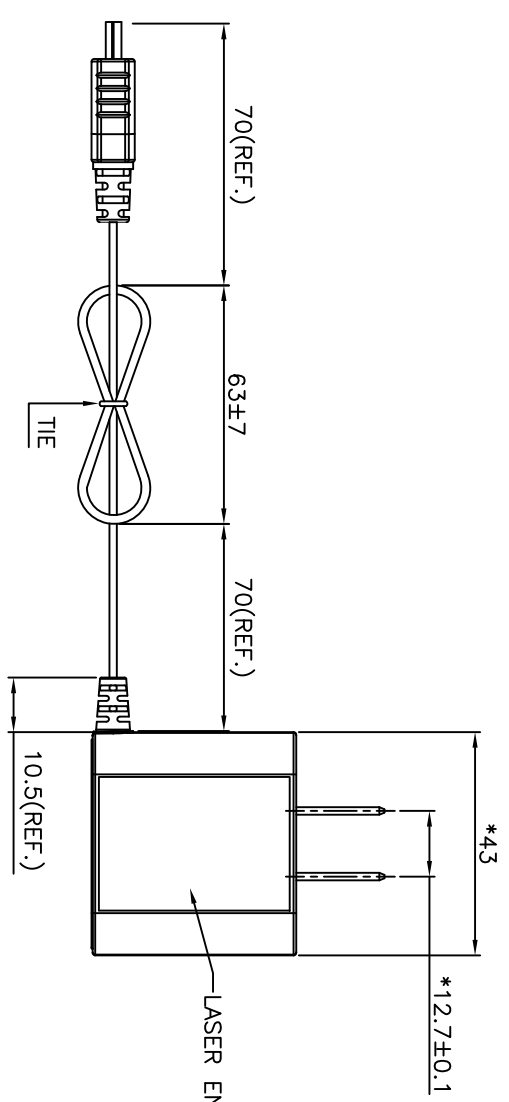
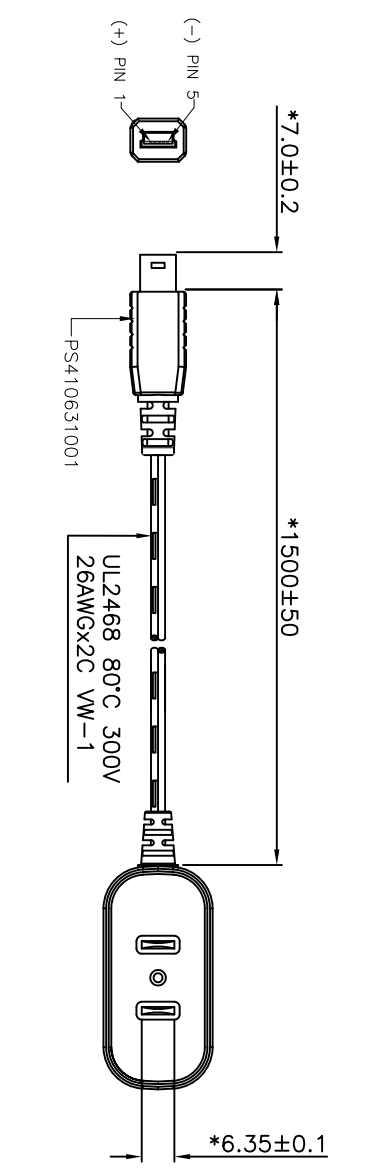


修正 REVISIONS  
 10/29/'13  
 12/04/'13



說明 GENERAL NOTES

1. Dimensions marked with "\*" indicates critical dimensions which need to be inspected in every lot.  
 2. CPK shall exceed 1.33 for critical parameters.  
 3. Case mismatch shall be less than 0.2mm.

長度區分 容許公差區分 (MM)

公差區分	A	B	C	D
低於 8 LESS THAN	±0.05	±0.1	±0.2	±0.4
8-25	±0.08	±0.15	±0.3	±0.6
25-50	±0.12	±0.2	±0.4	±0.8
50-100	±0.15	±0.3	±0.5	±1.0
100-200	±0.2	±0.4	±0.7	±1.2
200-500	±0.3	±0.5	±1.0	±1.5
500-1000	±0.4	±0.7	±1.2	±1.8
1000-2000	±0.5	±1.0	±1.5	±2.0
2000-5000	±0.6	±1.2	±1.8	±2.5
5000-10000	±0.7	±1.5	±2.0	±3.0
10000-20000	±0.8	±1.8	±2.5	±3.5
20000-50000	±0.9	±2.0	±2.8	±4.0
50000-100000	±1.0	±2.2	±3.0	±4.5
100000-200000	±1.1	±2.4	±3.2	±5.0
200000-500000	±1.2	±2.6	±3.4	±5.5
500000-1000000	±1.3	±2.8	±3.6	±6.0
1000000-2000000	±1.4	±3.0	±3.8	±6.5
2000000-5000000	±1.5	±3.2	±4.0	±7.0
5000000-10000000	±1.6	±3.4	±4.2	±7.5
10000000-20000000	±1.7	±3.6	±4.4	±8.0
20000000-50000000	±1.8	±3.8	±4.6	±8.5
50000000-100000000	±1.9	±4.0	±4.8	±9.0
100000000-200000000	±2.0	±4.2	±5.0	±9.5
200000000-500000000	±2.1	±4.4	±5.2	±10.0
500000000-1000000000	±2.2	±4.6	±5.4	±10.5
1000000000-2000000000	±2.3	±4.8	±5.6	±11.0
2000000000-5000000000	±2.4	±5.0	±5.8	±11.5
5000000000-10000000000	±2.5	±5.2	±6.0	±12.0
10000000000-20000000000	±2.6	±5.4	±6.2	±12.5
20000000000-50000000000	±2.7	±5.6	±6.4	±13.0
50000000000-100000000000	±2.8	±5.8	±6.6	±13.5
100000000000-200000000000	±2.9	±6.0	±6.8	±14.0
200000000000-500000000000	±3.0	±6.2	±7.0	±14.5
500000000000-1000000000000	±3.1	±6.4	±7.2	±15.0
1000000000000-2000000000000	±3.2	±6.6	±7.4	±15.5
2000000000000-5000000000000	±3.3	±6.8	±7.6	±16.0
5000000000000-10000000000000	±3.4	±7.0	±7.8	±16.5
10000000000000-20000000000000	±3.5	±7.2	±8.0	±17.0
20000000000000-50000000000000	±3.6	±7.4	±8.2	±17.5
50000000000000-100000000000000	±3.7	±7.6	±8.4	±18.0
100000000000000-200000000000000	±3.8	±7.8	±8.6	±18.5
200000000000000-500000000000000	±3.9	±8.0	±8.8	±19.0
500000000000000-1000000000000000	±4.0	±8.2	±9.0	±19.5
1000000000000000-2000000000000000	±4.1	±8.4	±9.2	±20.0
2000000000000000-5000000000000000	±4.2	±8.6	±9.4	±20.5
5000000000000000-10000000000000000	±4.3	±8.8	±9.6	±21.0
10000000000000000-20000000000000000	±4.4	±9.0	±9.8	±21.5
20000000000000000-50000000000000000	±4.5	±9.2	±10.0	±22.0
50000000000000000-100000000000000000	±4.6	±9.4	±10.2	±22.5
100000000000000000-200000000000000000	±4.7	±9.6	±10.4	±23.0
200000000000000000-500000000000000000	±4.8	±9.8	±10.6	±23.5
500000000000000000-1000000000000000000	±4.9	±10.0	±10.8	±24.0
1000000000000000000-2000000000000000000	±5.0	±10.2	±11.0	±24.5
2000000000000000000-5000000000000000000	±5.1	±10.4	±11.2	±25.0
5000000000000000000-10000000000000000000	±5.2	±10.6	±11.4	±25.5
10000000000000000000-20000000000000000000	±5.3	±10.8	±11.6	±26.0
20000000000000000000-50000000000000000000	±5.4	±11.0	±11.8	±26.5
50000000000000000000-100000000000000000000	±5.5	±11.2	±12.0	±27.0
100000000000000000000-200000000000000000000	±5.6	±11.4	±12.2	±27.5
200000000000000000000-500000000000000000000	±5.7	±11.6	±12.4	±28.0
500000000000000000000-1000000000000000000000	±5.8	±11.8	±12.6	±28.5
1000000000000000000000-2000000000000000000000	±5.9	±12.0	±12.8	±29.0
2000000000000000000000-5000000000000000000000	±6.0	±12.2	±13.0	±29.5
5000000000000000000000-10000000000000000000000	±6.1	±12.4	±13.2	±30.0
10000000000000000000000-20000000000000000000000	±6.2	±12.6	±13.4	±30.5
20000000000000000000000-50000000000000000000000	±6.3	±12.8	±13.6	±31.0
50000000000000000000000-100000000000000000000000	±6.4	±13.0	±13.8	±31.5
100000000000000000000000-200000000000000000000000	±6.5	±13.2	±14.0	±32.0
200000000000000000000000-500000000000000000000000	±6.6	±13.4	±14.2	±32.5
500000000000000000000000-1000000000000000000000000	±6.7	±13.6	±14.4	±33.0
1000000000000000000000000-2000000000000000000000000	±6.8	±13.8	±14.6	±33.5
2000000000000000000000000-5000000000000000000000000	±6.9	±14.0	±14.8	±34.0
5000000000000000000000000-10000000000000000000000000	±7.0	±14.2	±15.0	±34.5
10000000000000000000000000-20000000000000000000000000	±7.1	±14.4	±15.2	±35.0
20000000000000000000000000-50000000000000000000000000	±7.2	±14.6	±15.4	±35.5
50000000000000000000000000-100000000000000000000000000	±7.3	±14.8	±15.6	±36.0
100000000000000000000000000-200000000000000000000000000	±7.4	±15.0	±15.8	±36.5
200000000000000000000000000-500000000000000000000000000	±7.5	±15.2	±16.0	±37.0
500000000000000000000000000-1000000000000000000000000000	±7.6	±15.4	±16.2	±37.5
1000000000000000000000000000-2000000000000000000000000000	±7.7	±15.6	±16.4	±38.0
2000000000000000000000000000-5000000000000000000000000000	±7.8	±15.8	±16.6	±38.5
5000000000000000000000000000-10000000000000000000000000000	±7.9	±16.0	±16.8	±39.0
10000000000000000000000000000-20000000000000000000000000000	±8.0	±16.2	±17.0	±39.5
20000000000000000000000000000-50000000000000000000000000000	±8.1	±16.4	±17.2	±40.0
50000000000000000000000000000-100000000000000000000000000000	±8.2	±16.6	±17.4	±40.5
100000000000000000000000000000-200000000000000000000000000000	±8.3	±16.8	±17.6	±41.0
200000000000000000000000000000-500000000000000000000000000000	±8.4	±17.0	±17.8	±41.5
500000000000000000000000000000-1000000000000000000000000000000	±8.5	±17.2	±18.0	±42.0
1000000000000000000000000000000-2000000000000000000000000000000	±8.6	±17.4	±18.2	±42.5
2000000000000000000000000000000-5000000000000000000000000000000	±8.7	±17.6	±18.4	±43.0
5000000000000000000000000000000-10000000000000000000000000000000	±8.8	±17.8	±18.6	±43.5
10000000000000000000000000000000-20000000000000000000000000000000	±8.9	±18.0	±18.8	±44.0
20000000000000000000000000000000-50000000000000000000000000000000	±9.0	±18.2	±19.0	±44.5
50000000000000000000000000000000-100000000000000000000000000000000	±9.1	±18.4	±19.2	±45.0
100000000000000000000000000000000-200000000000000000000000000000000	±9.2	±18.6	±19.4	±45.5
200000000000000000000000000000000-500000000000000000000000000000000	±9.3	±18.8	±19.6	±46.0
500000000000000000000000000000000-1000000000000000000000000000000000	±9.4	±19.0	±19.8	±46.5
1000000000000000000000000000000000-2000000000000000000000000000000000	±9.5	±19.2	±20.0	±47.0
2000000000000000000000000000000000-5000000000000000000000000000000000	±9.6	±19.4	±20.2	±47.5
5000000000000000000000000000000000-10000000000000000000000000000000000	±9.7	±19.6	±20.4	±48.0
10000000000000000000000000000000000-20000000000000000000000000000000000	±9.8	±19.8	±20.6	±48.5
20000000000000000000000000000000000-50000000000000000000000000000000000	±9.9	±20.0	±20.8	±49.0
50000000000000000000000000000000000-100000000000000000000000000000000000	±10.0	±20.2	±21.0	±49.5
100000000000000000000000000000000000-200000000000000000000000000000000000	±10.1	±20.4	±21.2	±50.0
200000000000000000000000000000000000-500000000000000000000000000000000000	±10.2	±20.6	±21.4	±50.5
500000000000000000000000000000000000-1000000000000000000000000000000000000	±10.3	±20.8	±21.6	±51.0
1000000000000000000000000000000000000-2000000000000000000000000000000000000	±10.4	±21.0	±21.8	±51.5
2000000000000000000000000000000000000-5000000000000000000000000000000000000	±10.5	±21.2	±22.0	±52.0
5000000000000000000000000000000000000-10000000000000000000000000000000000000	±10.6	±21.4	±22.2	±52.5
10000000000000000000000000000000000000-20000000000000000000000000000000000000	±10.7	±21.6	±22.4	±53.0
20000000000000000000000000000000000000-50000000000000000000000000000000000000	±10.8	±21.8	±22.6	±53.5
50000000000000000000000000000000000000-100000000000000000000000000000000000000	±10.9	±22.0	±22.8	±54.0
100000000000000000000000000000000000000-200000000000000000000000000000000000000	±11.0	±22.2	±23.0	±54.5
200000000000000000000000000000000000000-500000000000000000000000000000000000000	±11.1	±22.4	±23.2	±55.0
500000000000000000000000000000000000000-1000000000000000000000000000000000000000	±11.2	±22.6	±23.4	±55.5
1000000000000000000000000000000000000000-2000000000000000000000000000000000000000	±11.3	±22.8	±23.6	±56.0
2000000000000000000000000000000000000000-5000000000000000000000000000000000000000	±11.4	±23.0	±23.8	±56.5
5000000000000000000000000000000000000000-100	±11.5	±23.2	±24.0	±57.0
100-200	±11.			