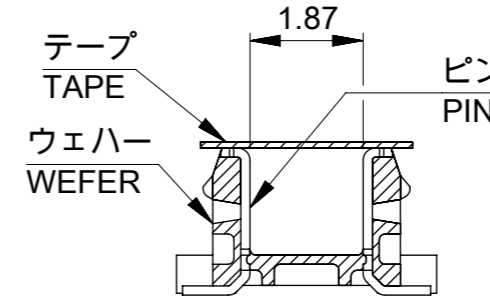
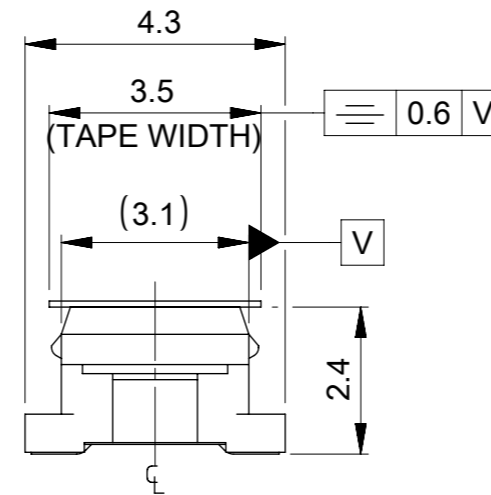
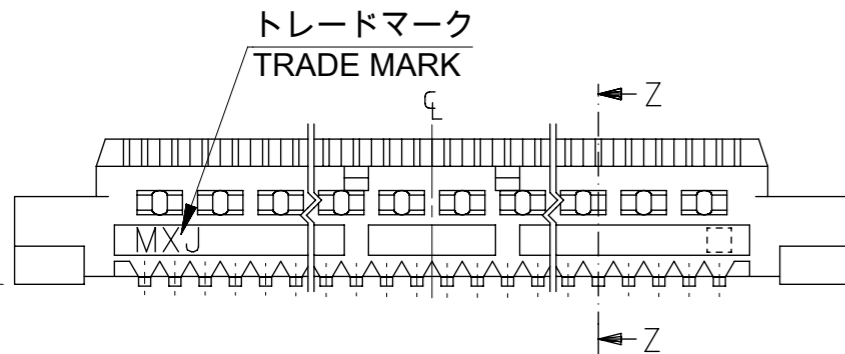
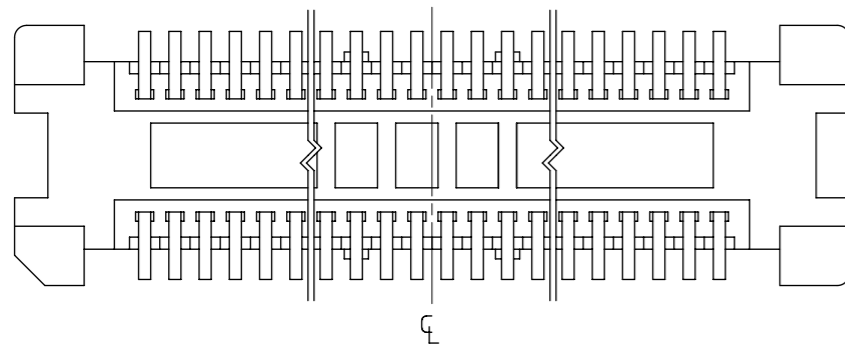


参考基板レイアウト (マウント面)
RECOMMENDED P.C.BOARD
PATTERN DIMENSION. (REF.)
(MOUNTING AREA)



SECT.Z-Z



注記 NOTES:

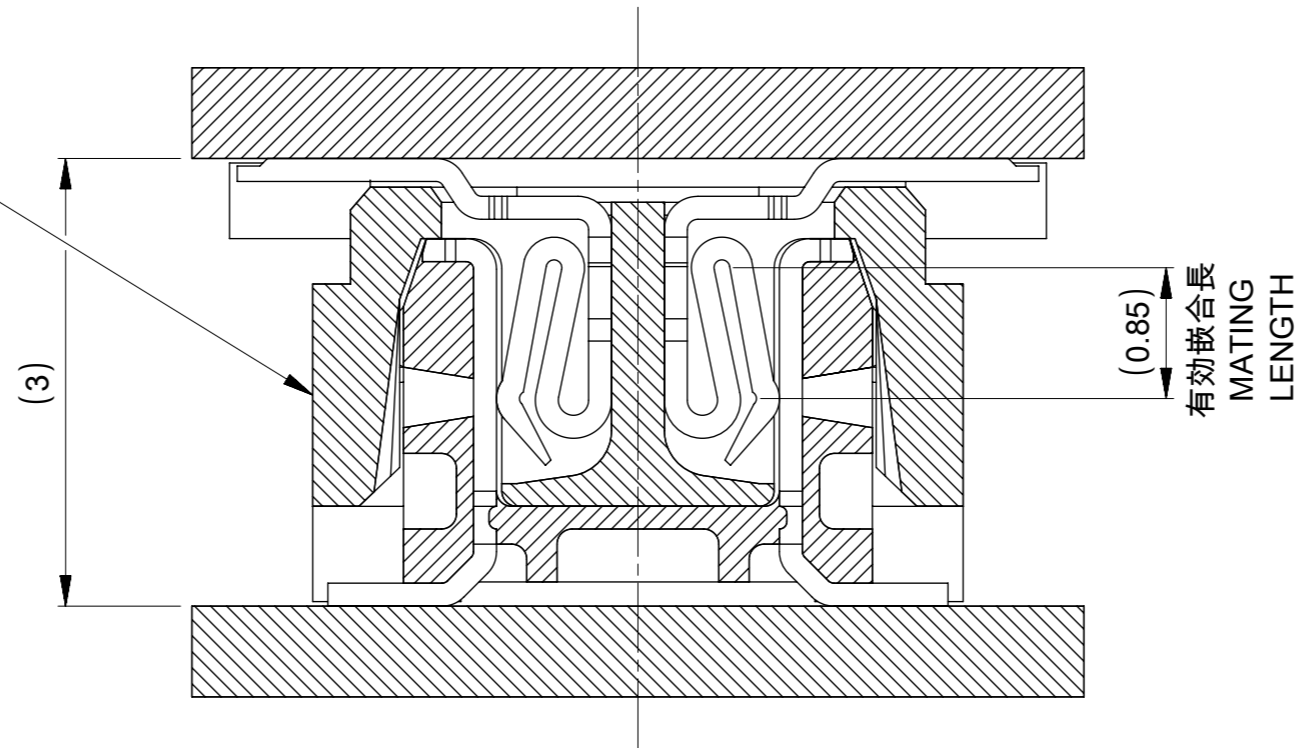
1. 使用材料 MATERIAL
ハウジング : LCPガラス入り (白), UL94V-0
HOUSING : LCP(G.F.)(COLOR:WHITE), UL94V0
ターミナル : 黄銅 (t=0.15)
TERMINAL: BRASS (t=0.15)
2. メッキ仕様 PLATING
全体仕上げ : 金メッキ 0.1 MICROMETER MIN.
ALL OVER : GOLD 0.1 MICROMETER MIN.
下地メッキ : ニッケルメッキ 1.5 MICROMETER MIN.
UNDER PLATING : NICKEL 1.5 MICROMETER MIN.
3. 基準面 X からのソルダーテールの半田付け面のズレ量は、上方向 0 下方向 0.15MAX. とする。
MISALIGNMENT OF SOLDER TAIL FROM X
: UPPER DIRECTION 0, LOWER DIRECTION 0.15 MAX.
△ (全極数/2) = 偶数の場合に適用。
APPLY FOR (CIRCUIT/2) = EVEN.

5. 嵌合相手 : 52991シリーズ (嵌合高さ = 3mm)、54167シリーズ (嵌合高さ = 3mm)
MATE WITH: 52991 SERIES (HEIGHT = 3mm), AND 54167 SERIES (HEIGHT = 3mm)
6. テール平坦度は、0.1MAX.
TAIL COPLANARITY TO BE 0.1MAX.
7. ELV及びRoHS適合品
ELV AND RoHS COMPLIANT

7.0	16.3	12.74	12.0	53748-0504	50
D	C	B	A	EMBOSSED TAPE	極数 CIRCUIT
				ORDER No.	
CONNECTOR SERIES No.				53748-***2	

THIS DRAWING CONTAINS INFORMATION THAT IS PROPRIETARY TO MOLEX ELECTRONIC TECHNOLOGIES, LLC AND SHOULD NOT BE USED WITHOUT WRITTEN PERMISSION		CURRENT REV DESC: REVISED		molex	
DIMENSION UNITS	SCALE	EC NO: 642297			
mm	8:1	DRWN: SUDAYGUNAGI 2020/08/06		PRODUCT CUSTOMER DRAWING	
GENERAL TOLERANCES (UNLESS SPECIFIED)		CHK'D: HSHIMOYAMA 2020/11/30		DOCUMENT NUMBER	
ANGULAR TOL ± 30°		APPR: SHOSHIKAWA 2020/11/30		SD-53748-003	
4 PLACES ± 0.2		INITIAL REVISION:		DOC TYPE DOC PART REVISION	
3 PLACES ± 0.25		DRWN: S. A I HARA 1996/02/27		PSD 001 D	
2 PLACES ± 0.3		APPR: H. HIRAMOTO 1996/03/16		MATERIAL NUMBER	
1 PLACE ±		THIRD ANGLE PROJECTION		CUSTOMER	
0 PLACES ±		DRAWING		SHEET NUMBER	
DRAFT WHERE APPLICABLE MUST REMAIN WITHIN DIMENSIONS		A3-SIZE		1 OF 2	

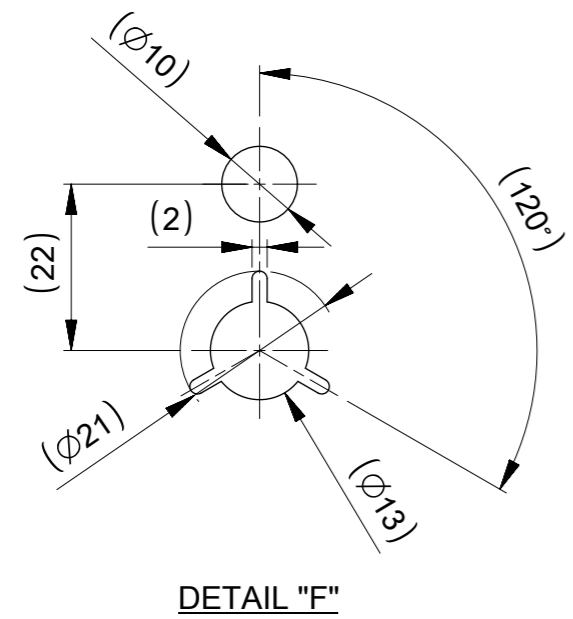
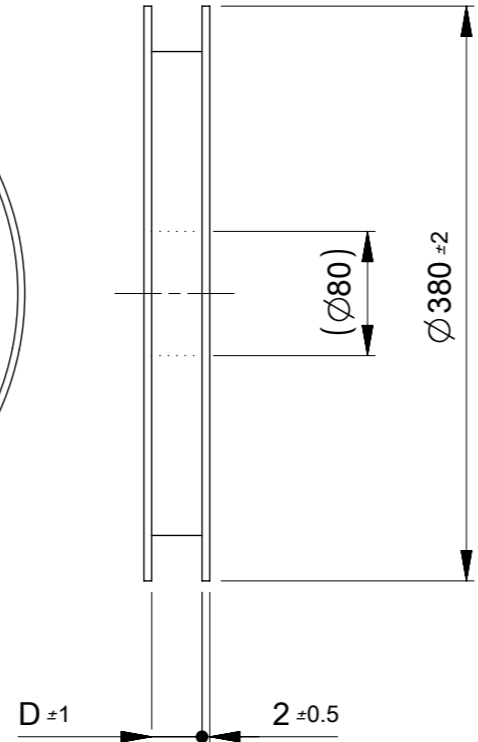
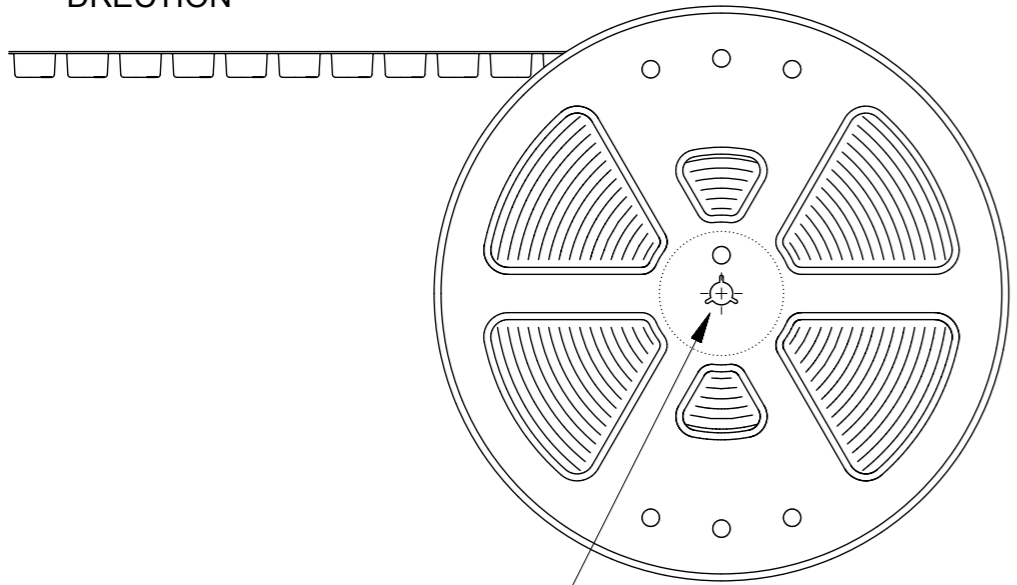
嵌合相手 MATE WITH
 52991-***8 (白 WHITE)
 54167-***8 (黒 BLACK)



嵌合断面図 (参考)
 MATED DRAWING (REF.)

THIS DRAWING CONTAINS INFORMATION THAT IS PROPRIETARY TO MOLEX ELECTRONIC TECHNOLOGIES, LLC AND SHOULD NOT BE USED WITHOUT WRITTEN PERMISSION		CURRENT REV DESC: REVISED		molex	
DIMENSION UNITS	SCALE	EC NO: 642297			
mm	20:1	DRWN: SUDAYGUNAGI 2020/08/06		PRODUCT CUSTOMER DRAWING	
GENERAL TOLERANCES (UNLESS SPECIFIED)		CHK'D: HSHIMUYAMA 2020/11/30		DOCUMENT NUMBER	
ANGULAR TOL ± 30°		APPR: SHOSHIKAWA 2020/11/30		SD-53748-003	
4 PLACES ± 0.2		INITIAL REVISION:		DOC TYPE	
3 PLACES ± 0.25		DRWN: S. A I HARA 1996/02/27		PSD	
2 PLACES ± 0.3		APPR: H. HIRAMOTO 1996/03/16		DOC PART	
1 PLACE ±		SERIES		001	
0 PLACES ±		A3-SIZE		D	
DRAFT WHERE APPLICABLE MUST REMAIN WITHIN DIMENSIONS		THIRD ANGLE PROJECTION		REVISION	
DRAFT WHERE APPLICABLE MUST REMAIN WITHIN DIMENSIONS		DRAWING		MATERIAL NUMBER	
		A3-SIZE		SEE SHEET 1	
		SERIES		CUSTOMER	
		53748		GENERAL	
		SHEET NUMBER		2 OF 2	

引き出し方向
PULL OUT
DIRECTION

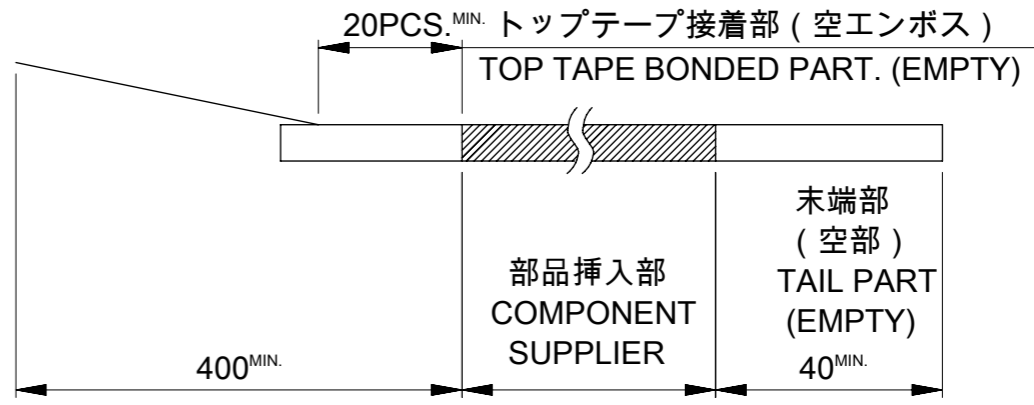


DETAIL "F"

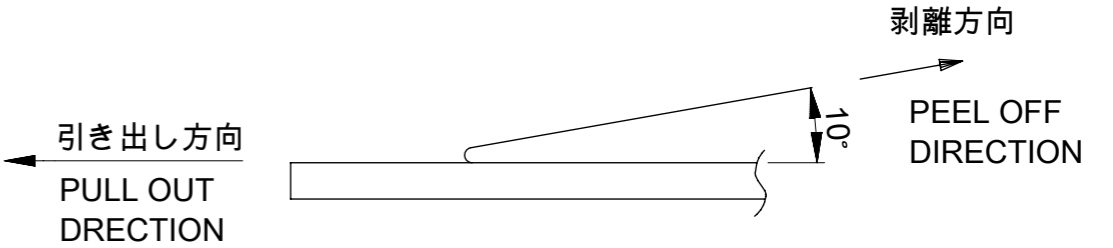
NOTES

- 製品詳細寸法については、図面 SD-53748-003を参照下さい。
DETAIL DIMENSION, SEE SD-53748-003
- 梱包数量 : 3000個 / リール
NUMBER OF CONNECTORS : 3000PCS/REEL
- リードテープ長さ LEAD TAPE LENGTH

引き出し方向
PULL OUT
DIRECTION



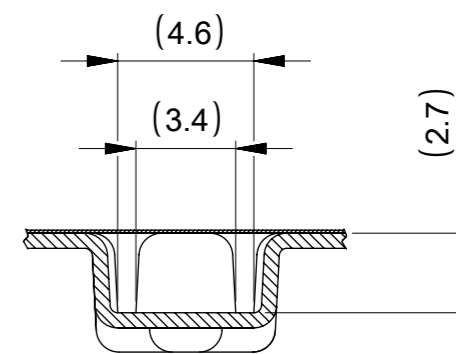
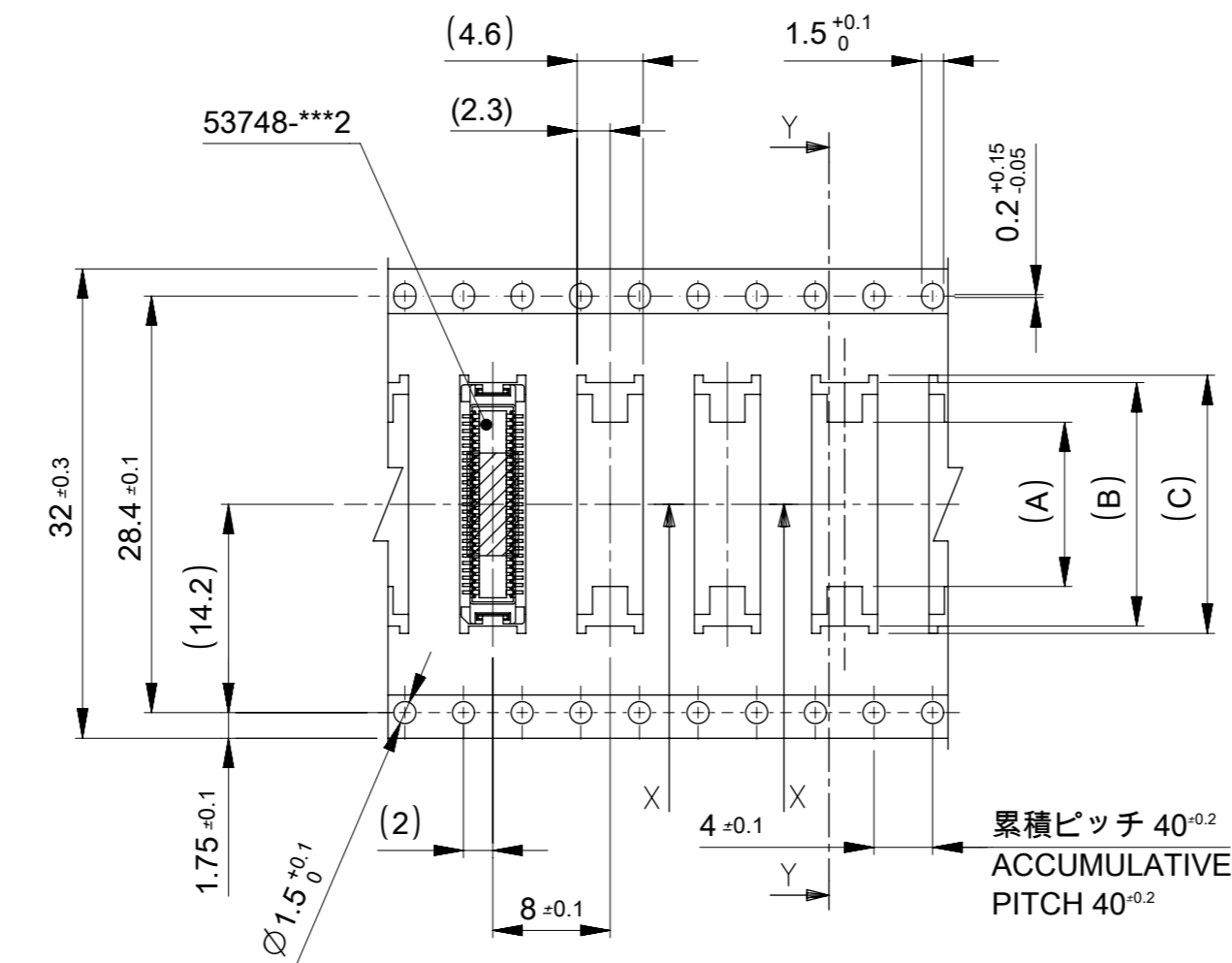
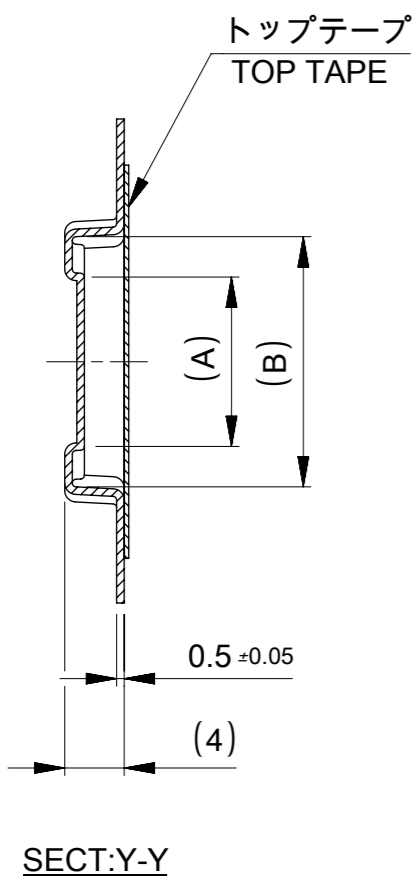
- トップテープの剥離強度 : 0.1N ~ 0.7N(10.2gf ~ 71.4gf)
(剥離方向は下図参照)
尚、本規格値は出荷時に適用。(但し、輸送時に剥離が発生しないこと。)
PEELING OFF FORCE OF TOP TAPE: 0.1N ~ 0.7N(10.2gf ~ 71.4gf)
(PEELING DIRECTION AS SHOWN IN FOLLOWING FIG.)
THIS REQUIREMENT SHOULD BE APPLIED AT SHIPMENT.
PEEL OFF SHOULD NOT BE ALLOWED, DURING TRANSPORTATION.



- 材料 (MATERIAL)
キャリアテープ (CARRIER TAPE) : ポリプロピレン (POLYPROPYLENE)
トップテープ (TOPTAPE) : PET , PE , PEF
リール (REEL) : ポリスチレン (PS) <リサイクル材を含む>
POLYSTYREN(PS) <RECYCLE MATERIAL CONTANED>

THIS DRAWING CONTAINS INFORMATION THAT IS PROPRIETARY TO MOLEX ELECTRONIC TECHNOLOGIES, LLC AND SHOULD NOT BE USED WITHOUT WRITTEN PERMISSION		CURRENT REV DESC: REVISED		molex	
DIMENSION UNITS	SCALE				
mm	---				
GENERAL TOLERANCES (UNLESS SPECIFIED)		GENERAL TOLERANCES (UNLESS SPECIFIED)		PRODUCT CUSTOMER DRAWING	
ANGULAR TOL ± 30°		ANGULAR TOL ± 30°		DOCUMENT NUMBER	
4 PLACES ± 0.2		4 PLACES ± 0.2		SD-53748-004	
3 PLACES ± 0.25		3 PLACES ± 0.25		DOC TYPE	
2 PLACES ± 0.3		2 PLACES ± 0.3		PSD	
1 PLACE ±		1 PLACE ±		DOC PART	
0 PLACES ±		0 PLACES ±		001	
ANGULAR+3°		ANGULAR+3°		REVISION	
DRAFT WHERE APPLICABLE MUST REMAIN WITHIN DIMENSIONS		DRAFT WHERE APPLICABLE MUST REMAIN WITHIN DIMENSIONS		E	
		THIRD ANGLE PROJECTION	DRAWING	SERIES	MATERIAL NUMBER
			A3-SIZE	53748	SEE SHEET 2
				CUSTOMER	SHEET NUMBER
				GENERAL	1 OF 2

引き出し方向
PULL OUT DIRECTION



SECT:X-X
(SCALE:4-1)

32mm 幅キャリアテープ
32mm WIDTH CARRIER TAPE

32	33.5	17.6	16.6	11.2	53748-0504	50
キャリアテープ幅 CARRIER TAPE WIDTH	D	(C)	(B)	(A)	MATERIAL NO.	極数 CKT.

THIS DRAWING CONTAINS INFORMATION THAT IS PROPRIETARY TO MOLEX ELECTRONIC TECHNOLOGIES, LLC AND SHOULD NOT BE USED WITHOUT WRITTEN PERMISSION

DIMENSION UNITS mm	SCALE ---	CURRENT REV DESC: REVISED			
GENERAL TOLERANCES (UNLESS SPECIFIED)		EC NO: 642297			
GENERAL TOLERANCES (UNLESS SPECIFIED)	ANGULAR TOL ± 30°	DRWN: SUDAYGUNAGI	PRODUCT CUSTOMER DRAWING		
10 ^{UNDER} ±0.2	4 PLACES ± 0.2	CHK'D: HSHIMYOYAMA	DOCUMENT NUMBER	DOC TYPE	DOC PART
10 ^{OVER} 30 ^{UNDER} ±0.25	3 PLACES ± 0.25	APPR: SHOSHIKAWA	SD-53748-004	PSD	001
30 ^{OVER} ±0.3	2 PLACES ± 0.3	INITIAL REVISION:	1996/03/25	REVISION	E
ANGULAR±3°	1 PLACE ±	DRWN: S. A I HARA	2001/01/22		
DRAFT WHERE APPLICABLE MUST REMAIN WITHIN DIMENSIONS	DRAFT WHERE APPLICABLE MUST REMAIN WITHIN DIMENSIONS	THIRD ANGLE PROJECTION	DRAWING	SERIES	MATERIAL NUMBER
			A3-SIZE	53748	SEE TABLE
			CUSTOMER	GENERAL	
			SHEET NUMBER		
			2 OF 2		