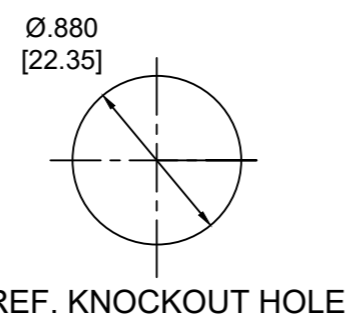
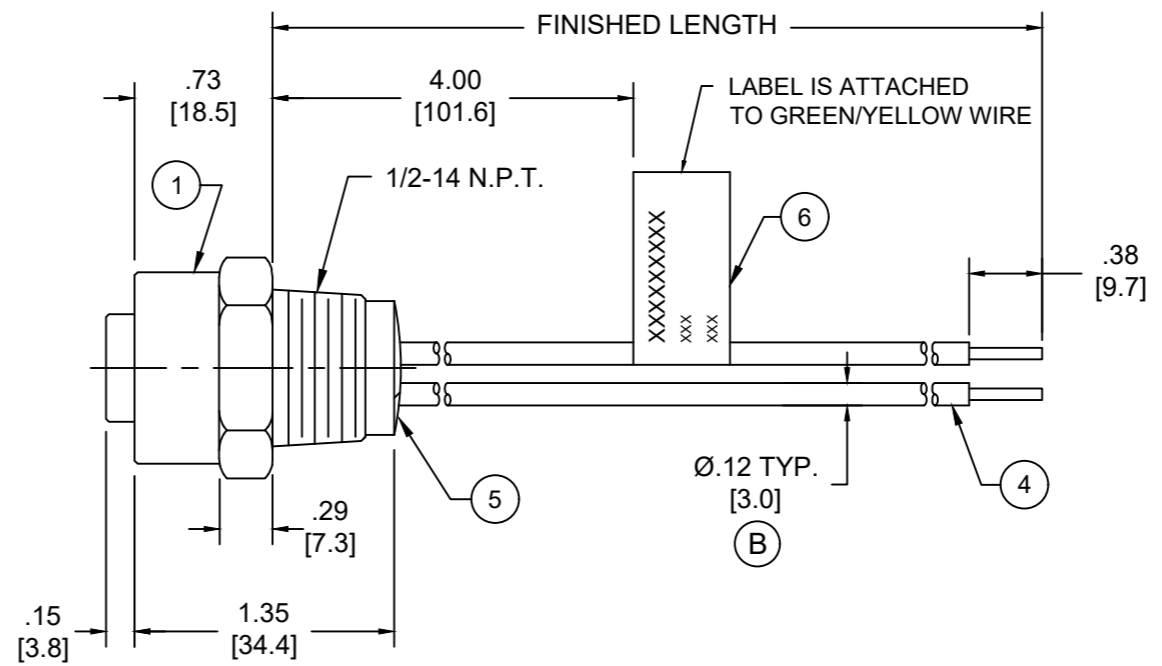
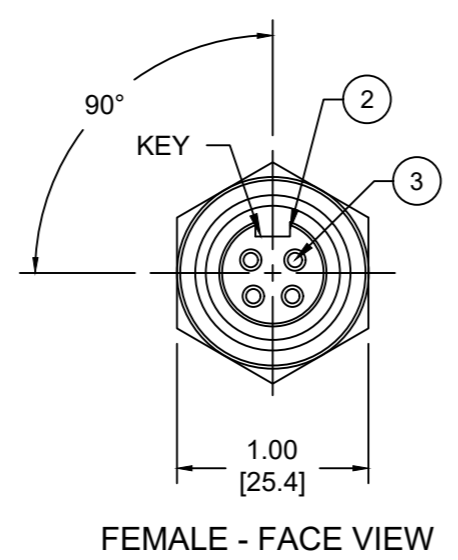
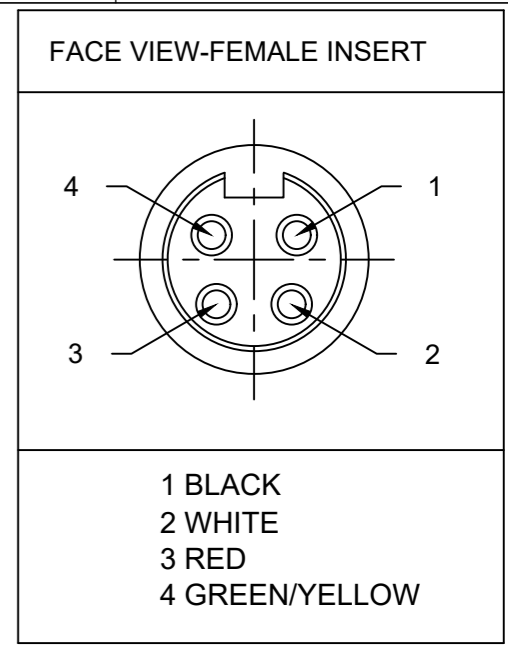


PART NO	ENGINEERING NO.	FINISHED LENGTH
1300660254	1R4000A20M005G	0.5M [1 FT 8 IN]
1300662030	1R4000A20M010G	1M [3 FT 3 IN]
1300660062	1R4000A20M020G	2M [6 FT 7 IN]
1300660063	1R4000A20M030G	3M [9 FT 10 IN]



PART NO. MATRIX
1R4000A20M005G

FINISHED LENGTH:
M005= 0.5 METER
M010= 1 METER
M100= 10 METER

CABLE LENGTH TOLERANCES

<.3M [1FT]:	+19mm-0 [+1.75in-0]
.3 - .9M [1 - 3FT]:	+44.5mm-0 [+1.75in-0]
.9 - 1.8M [3 - 6FT]:	+55.6mm-0 [+2.19in-0]
1.8 - 3.7M [6 - 12FT]:	+88.9mm-0 [+3.50in-0]
3.7 - 7.3M [12 - 24FT]:	+165.1mm-0 [+6.50in-0]
7.3-14.6M [24 - 48FT]:	+317.5mm-0 [+12.50in-0]
14.6 - 30.5M [48-100FT]:	+622.3mm-0 [+24.50in-0]
OVER 30M [100FT]	+2% OF FINISHED LENGTH

- NOTES:
1. MATERIAL: AS NOTED
 2. FINISH: AS NOTED
 3. ELECTRICAL:
VOLTAGE: 483V PER IEC60664
600V PER UL2237
CURRENT: 10A
 4. TEMP RATING: -20°TO +105°C
 5. PROTECTION: IP67 (WHEN MATED)
 6. COUPLING THREAD: 7/8-16UN
 7. UL LISTED FILE: E258922
 8. ALL DIMENSIONS ARE FOR REFERENCE UNLESS TOLERANCED OR NOTED OTHERWISE

ITEM	DESCRIPTION	MATERIAL	FINISH
6	FLAG LABEL	VINYL	BLACK/YELLOW
5	POTTING MATERIAL	EPOXY	
4	WIRE, 16 AWG (UL1015)	PVC INSULATION	SEE FACE VIEW
3	CONTACT SOCKET	COPPER ALLOY	GOLD PLATED
2	FEMALE INSERT	TPE	BLACK
1	RECEPTACLE SHELL	ZINC DIE-CAST	NICKEL PLATED

FUNCTIONAL SYMBOLS F=0 E=0 P=0	THIS DRAWING CONTAINS INFORMATION THAT IS PROPRIETARY TO MOLEX ELECTRONIC TECHNOLOGIES, LLC AND SHOULD NOT BE USED WITHOUT WRITTEN PERMISSION		CURRENT REV DESC: ITEM #2 WAS PVC. ADDED UL & CABLE DIA. MODIFIED IEC VOLTAGE, TEMP RATING AND MATERIAL NUMBER CHART		
	DIMENSION UNITS	SCALE	EC NO: 663067 DRWN: ABENJAMINLW 2021/02/08 CHK'D: RSTONE 2021/05/06 APPR: BWOODMAN 2021/05/13		
	INCH/MM	NTS			
	GENERAL TOLERANCES (UNLESS SPECIFIED)		INITIAL REVISION:		
4 PLACES	±---	±---	DRWN: RSTONE 2017/01/11	2017/01/11	
3 PLACES	±---	±---	APPR: BWOODMAN 2017/01/26	2017/01/26	
2 PLACES	±---	±---	ANGULAR TOL ± --- °		
1 PLACE	±---	±---	DRAFT WHERE APPLICABLE MUST REMAIN WITHIN DIMENSIONS		
0 PLACES	±---	±---	THIRD ANGLE PROJECTION	DRAWING	
		B-SIZE		SERIES	
		130066		MATERIAL NUMBER	
		SEE CHART		CUSTOMER	
		GENERAL MARKET		SHEET NUMBER	
		1 OF 1			