



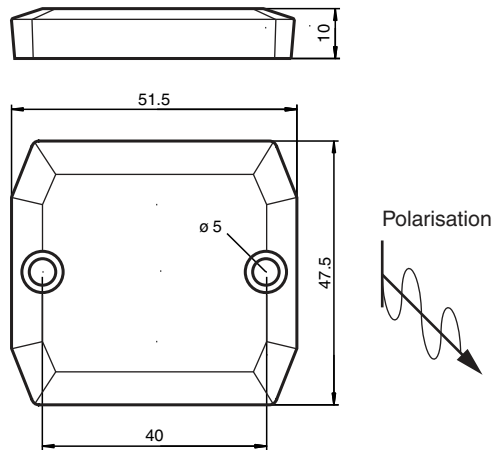
# RFID Transponder

## IUC77-F151-M-GBL

- Operating frequency 865 ... 928 MHz
- Complies with EPC Gen2 (ISO/IEC 18000-63)
- Sturdy housing, suitable for rough industrial use

Data carrier

### Dimensions



### Technical Data

General specifications	
Operating frequency	865 ... 928 MHz
Polarization	linear
Memory	
Chip Type	Monza 4QT (Impinj)
Memory Bank 00 (Reserved)	64 Bit
Memory Bank 01 (EPC/UII)	128 Bit
Memory Bank 10 (TID)	96 Bit
Memory Bank 11 (User memory)	512 Bit
Read cycles	unlimited
Write cycles	> 100000
Data retention period	10 years
Directive conformity	
Radio equipment	
Directive 2014/53/EU	EN 302208
RoHS	
Directive 2011/65/EU (RoHS)	IEC/EN 63000

Release date: 2021-04-22 Date of issue: 2021-04-22 Filename: 258356\_eng.pdf

Refer to "General Notes Relating to Pepperl+Fuchs Product Information".

Pepperl+Fuchs Group  
www.pepperl-fuchs.com

USA: +1 330 486 0001  
fa-info@us.pepperl-fuchs.com

Germany: +49 621 776 1111  
fa-info@de.pepperl-fuchs.com

Singapore: +65 6779 9091  
fa-info@sg.pepperl-fuchs.com

**PF** PEPPERL+FUCHS

## Technical Data

Standard conformity	
Degree of protection	EN 60529
RFID	ISO/IEC 18000-63
Ambient conditions	
Ambient temperature	-40 ... 85 °C (-40 ... 185 °F)
Storage temperature	-40 ... 85 °C (-40 ... 185 °F)
Mechanical specifications	
Housing length	47.5 mm
Housing width	51.5 mm
Housing height	10 mm
Degree of protection	IP68
Material	
Housing	Impact-resistant plastic material
Installation	
On metal	yes
Mass	22 g
Construction type	Rectangular type